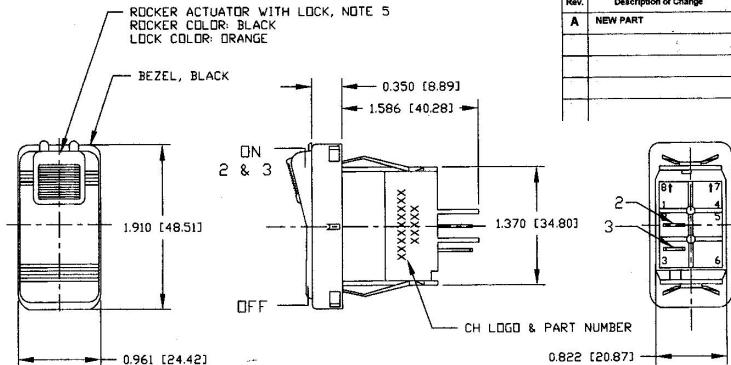


### Revision Control Record

Rev.	Description of Change	ECN No.	Date
A	NEW PART	01284	5/8/01



**NOTES.**

1. ALL DIMENSIONS ARE REFERENCE
2. SWITCH FITS IN PANEL HOLE SIZE: 0.830 [21.08] X 1.450 [36.83]
3. RATING: 12V DC, 25AMPS
4. WEATHER RESISTANT.
5. SWITCH IS LOCKED IN THE OFF POSITION; MOVE LOCK BUTTON TO ACTUATE ROCKER.

**Tolerances:** Unless otherwise specifically noted, the following are default tolerances:

- Linear Dimensional Tolerances:  $\pm 0.02"$
- 3-place Decimal Dimensional Tolerances:  $\pm 0.005"$
- Angular Dimensional Tolerances:  $\pm 1.5 \text{ Deg.}$
- Metric: Refer to appropriate English Dimensional Tolerance
- NOTE: All tolerances are Non-Coordinate.

**Dimensional Units:** All dimensions are expressed in inches except those shown in brackets (xxx) are expressed in millimeters

**"REF." or an Asterisk (\*):** = Non-Tolerance Reference Dimension, shown for clarification purposes only.

**PROPRIETARY INFORMATION:** This Engineering Drawing, and the information contained herein, is proprietary to Cole Hersee Company and may not be disclosed, reproduced, or in any other way transmitted or communicated to any other party without the express written consent of an authorized representative of Cole Hersee Company.

**DESIGN CONTROL:** It is the responsibility of the individual user/manufacturer of this drawing to ensure that the noted design revision level agrees with the revision level of the Controlled Document (Master Drawing). This is a NON-CONTROLLED DOCUMENT unless otherwise specifically noted.

**DO NOT SCALE:** Dimensional variation may occur during printing/ reproduction.

Key for Special Characteristics:

- ◆ Critical Characteristic, relating to Safety and/or Regulatory Compliance
- ⓧ Significant Characteristic relating to Process Control (SPC)
- Ⓢ Control Dimension relating to Form - Fit - Function as defined by Cole Hersee Company and/or the Customer

(Note that the Identification of any Characteristic as being "Special" does not alter the requirement that ALL specified dimensions & tolerances must be met.)

## Cole Hersee Co.



20 Old Colony Ave., South Boston, MA, 02127  
Phn: 817-288-2100 Web: www.colehersee.com

**Description:** ROCKER SWITCH

**Drawing / Part No.:**

# 58336

**Current Rev.:**

# A

Used On or Ref: **EX27490D**

Scale: **1:1**

Drawn By: **GA**

Date Drawn: **5/2/01**

Responsible Engineer: **GA**

Pg. 1 of 1