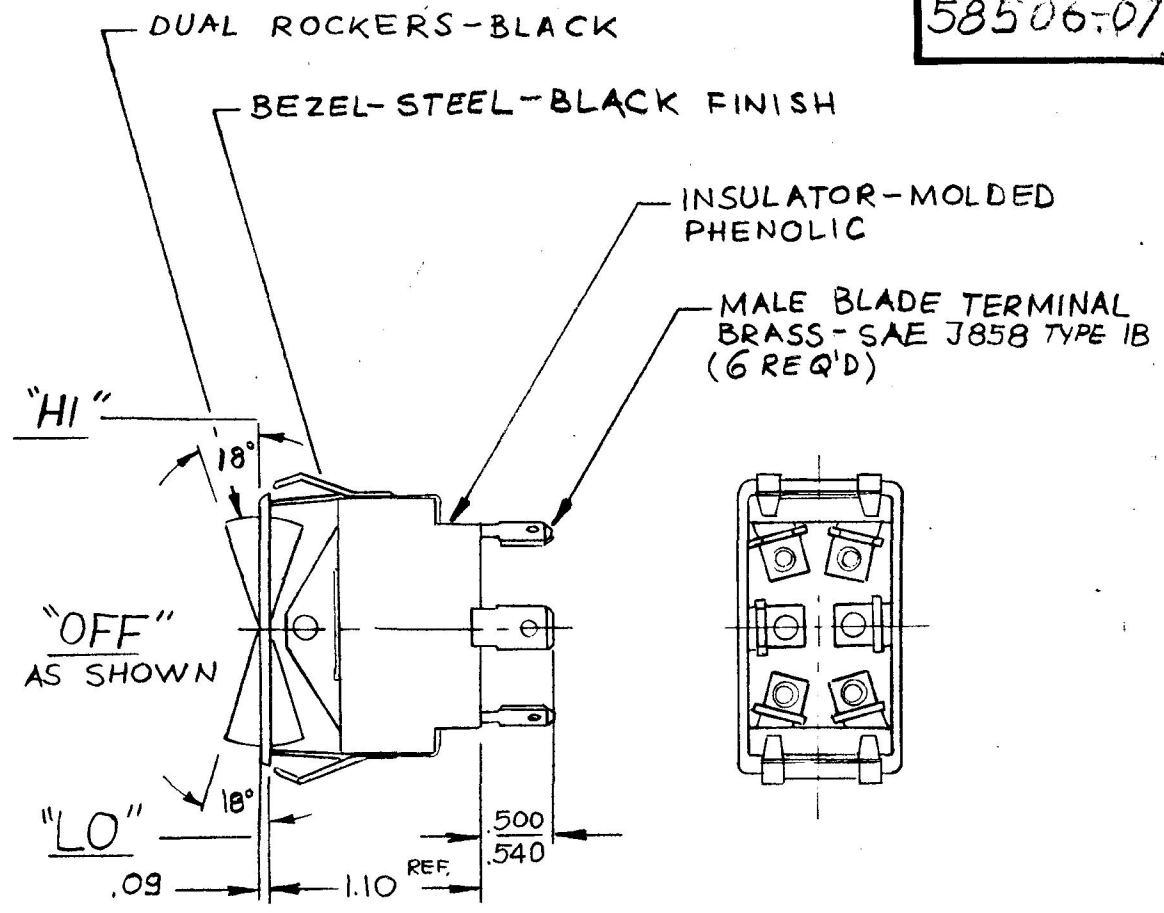
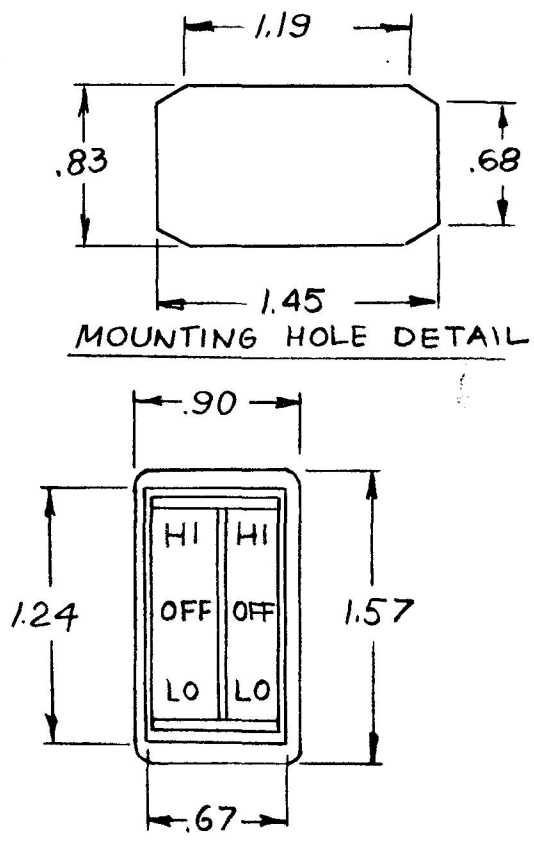


NRM. 4-5-73
 REF: EX16698

58506-07



- NOTES:
- 25 AMPS @ 12VDC LAMP LOAD.
 - SILVER CONTACT RIVETS AND SILVER CONTACT PAD.

HEAVY DUTY

DO NOT SCALE

BRUNING 40-21 63765

LET.	WAS	DATE	BY	LET.	WAS	DATE	BY	MATERIAL	DRAWN	CHECKED	APPRV'D.	SCALE	DATE DRAWN
								—	BW	<i>[Signature]</i>		1:1	10-6-86
								FINISH	 Cole Hersee Co. <small>20 OLD COLONY AVENUE SOUTH BOSTON, MA. U.S.A. 02127</small>				DATE BLUEPRINT
								TOLERANCES					SPLIT ACTUATOR
								DECIMAL ±	ROCKER SW.				
								METRIC ±					
					RE-DRAWN	10-6-86	ZU						

CH-188(4-78)