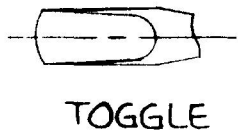
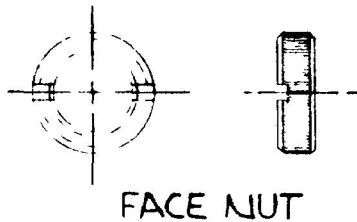


59024-13

MM	IN
6.85	.270
13.30	.524
13.46	.530
19.05	.750
33.52	1.320
39.14	1.541



TOGGLE, BLACK PLASTIC

FACE NUT, BLACK (NOTE 4)

BUSHING, BLACK 15/32-32UNS

INK STAMP PART NO. & DATE CODE (WEEK & YEAR)

MALE BLADE TERMINAL
TIN PLATED, 3 REQ'D

"ON"
5+6

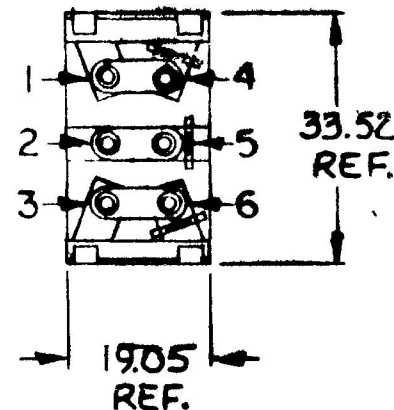
"OFF"

"ON"
5+4

6.85
REF.

39.14
REF.

13.30
13.46



NOTES:

1. SILVERED CONTACTS.
2. ALL STEEL PARTS PLATED.
3. 25 AMPS @ 12 V.D.C.
4. FACE NUT ASSEMBLED

METRIC

DO NOT SCALE

LET	WAS	DATE	BY	LET	WAS	DATE	BY	MATERIAL	DRAWN	CHECKED	APPR'D	SCALE	DATE DRAWN
								—#—	VAK			1:1	3/25/86
								FINISH					DATE BLUEPRINT
								TOLERANCES	 WILD CLOVER AVENUE SOUTH BOSTON MA 02111				
								DECIMAL ±				SW. TOGGLE S.P.D.T.	59024-13
								METRIC ±					

BRUN: VG 40-21 63765

EX21032B

CH-188(4-78)