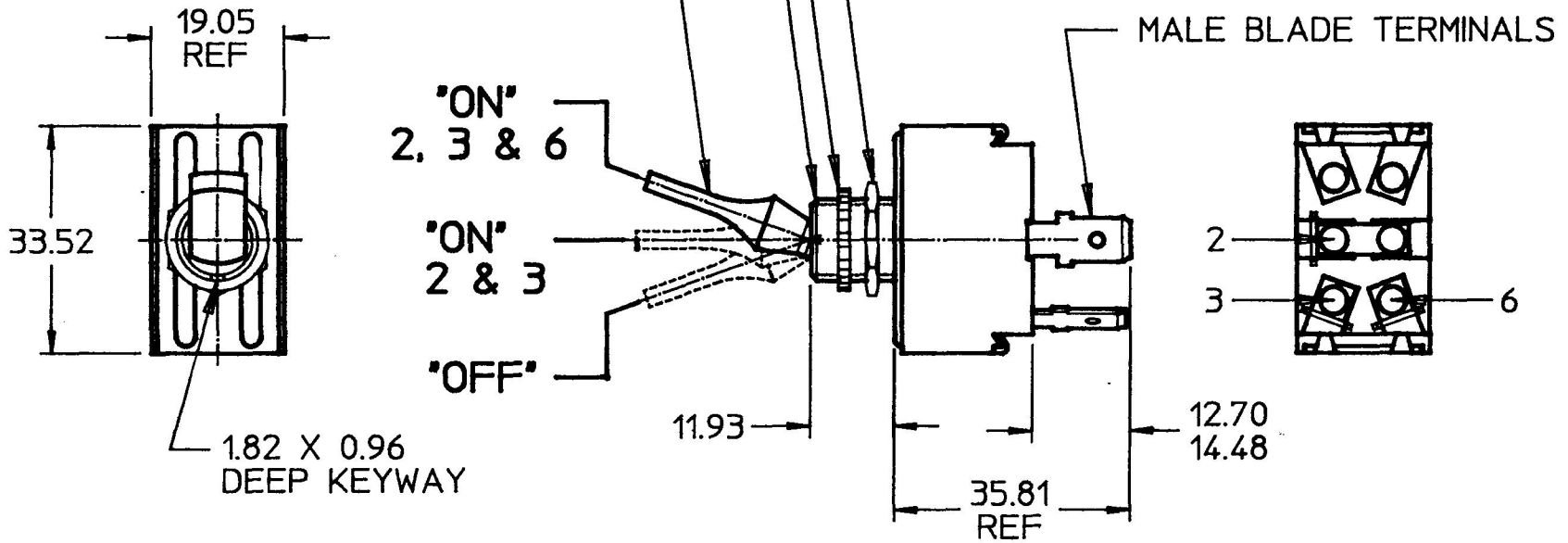


59024-150


MM	IN
0.96	0.032
1.82	0.072
11.93	0.470
12.70	0.500
14.48	0.570
19.05	0.750
33.52	1.320
35.81	1.410



- NOTES:
1. SILVER CONTACTS
 2. 25 AMPS @ 12VDC LAMP LOAD
 3. ALL STEEL PARTS PLATED
 4. ALL DIMENSIONS REFERENCE

METRIC

DO NOT SCALE

LET.	WAS	DATE	BY	LET.	WAS	DATE	BY	MATERIAL	DRAWN	CHK	APVD	SCALE	EX25612	DATE DRAWN
									BL	AF		1:1		3/8/94
								FINISH	 Cole Hersee Co. 20 OLD COLONY AVENUE, BOSTON, MA, U.S.A. 02127					DATE BLUEPRINTED
								TOLERANCES	SW, TOGGLE 3POS					59024-150
					ISSUED	3/8/94	AF	DECIMAL ± ANGLE ±						