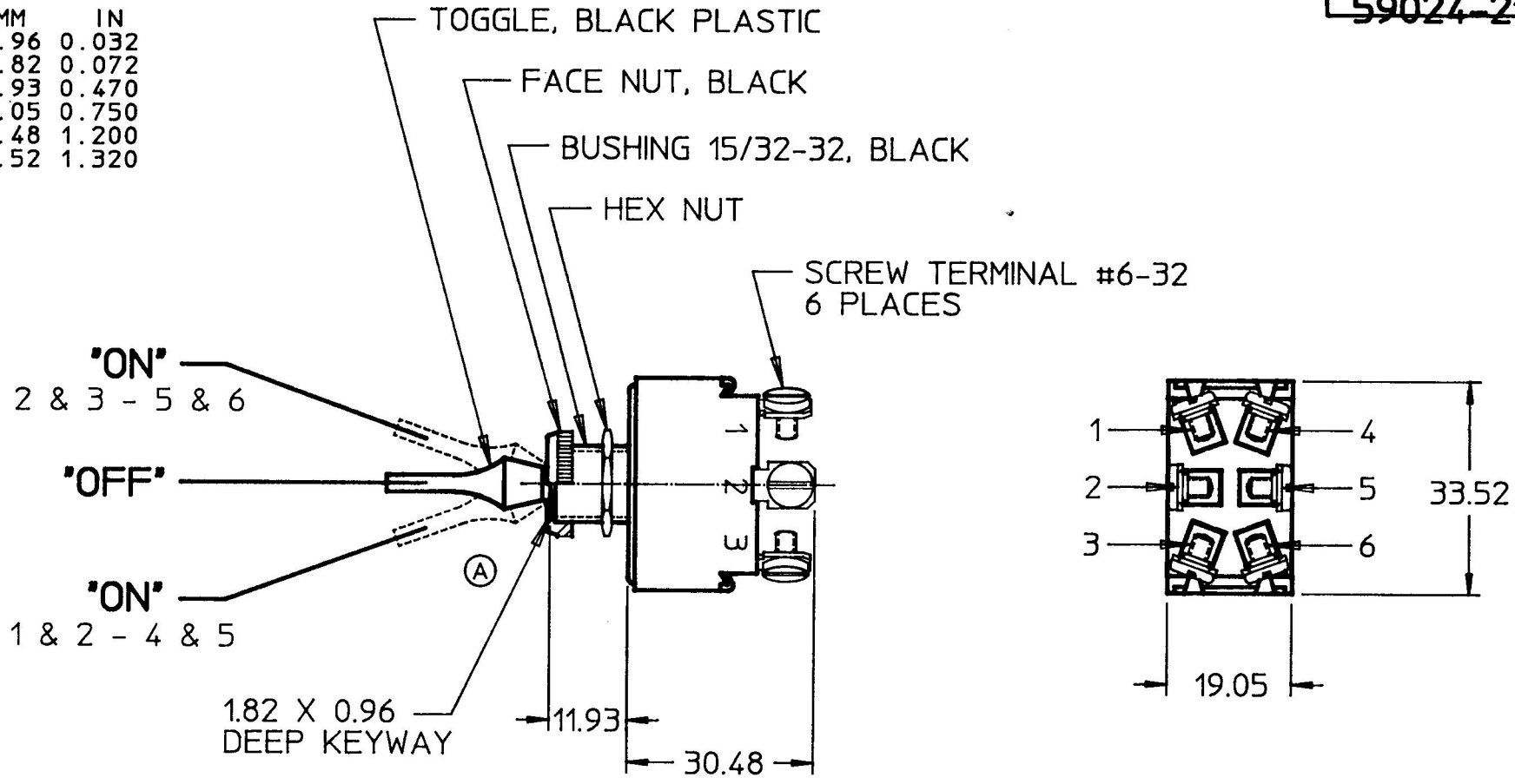


59024-218


| MM    | IN    |
|-------|-------|
| 0.96  | 0.032 |
| 1.82  | 0.072 |
| 11.93 | 0.470 |
| 19.05 | 0.750 |
| 30.48 | 1.200 |
| 33.52 | 1.320 |



- NOTES:
1. ALL STEEL PARTS PLATED
  2. SILVER CONTACTS
  3. 25 AMPS @ 12VDC LAMP LOAD
  4. ALL DIMENSIONS REF. ONLY

METRIC

DO NOT SCALE  
CAD GENERATED

| LET. | WAS | DATE | BY | LET. | WAS       | DATE    | BY | MATERIAL             | DRAWN  | CHK | APVD | SCALE | DATE DRAWN                           |
|------|-----|------|----|------|-----------|---------|----|----------------------|--|-----|------|-------|--------------------------------------|
|      |     |      |    |      |           |         |    |                      | LIZ  | AF  |      | 1:1   | 3/12/90                              |
|      |     |      |    |      |           |         |    | FINISH               | <br><small>70 OLD COLONY AVENUE SOUTH BOSTON, MA U.S.A. 02127</small> |     |      |       | DATE BLUEPRINTED                     |
|      |     |      |    | A    | EDN 24519 | 8/22/90 | RO | TOLERANCES           |  |     |      |       |                                      |
|      |     |      |    |      | ISSUED    | 3/27/90 | AF | DECIMAL ±<br>ANGLE ± | <b>SW, TOGGLE, DPDT</b>  |     |      |       | 59024-218                            |
|      |     |      |    |      |           |         |    |                      |  |     |      |       | Confidential Property of Cole Hersee |