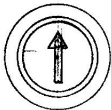
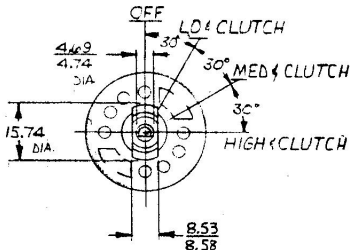


68159-05

## LEGEND

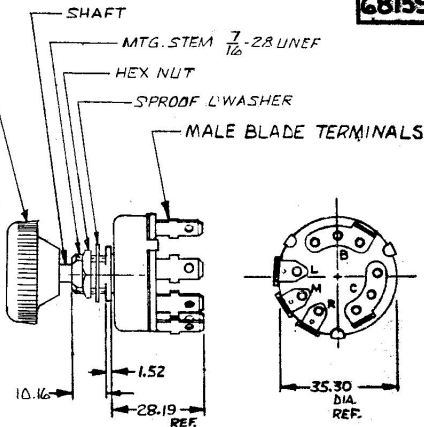
B	BATTERY
L	LOW
M	MEDIUM
R	HIGH
C	CLUTCH

KNOB, BLACK PLASTIC WITH WHITE IMPRINTING



METRIC

FRONT VIEW OF KNOB



## NOTES:

1. IMPORTANT-NO BREAK IN CLUTCH CIRCUIT BETWEEN LOW, MEDIUM, & HIGH POSITION
2. SILVERED CONTACT SURFACES
3. MELAMINE LINER
4. ALL STEEL PARTS PLATED
5. ELECTRICAL RATING: 12/24VDC

DO NOT SCALE

LET.	WAS	DATE	BY	LET.	WAS	DATE	BY	MATERIAL	DRAWN	CHECKED	APPROVED	SCALE	DATE DRAWN
								FRSH H	PS			1:1	9-28-83
													DATE BLUEPRINT
								TOLERANCES DECIMAL ± METRIC ± .15	 Cole Hersee Co. A Division of the Borg-Warner Corporation			DATE BLUEPRINT	
									AIR CONDITIONING SWITCH WITH CLUTCH CIRCUIT			DATE BLUEPRINT	

68159-05