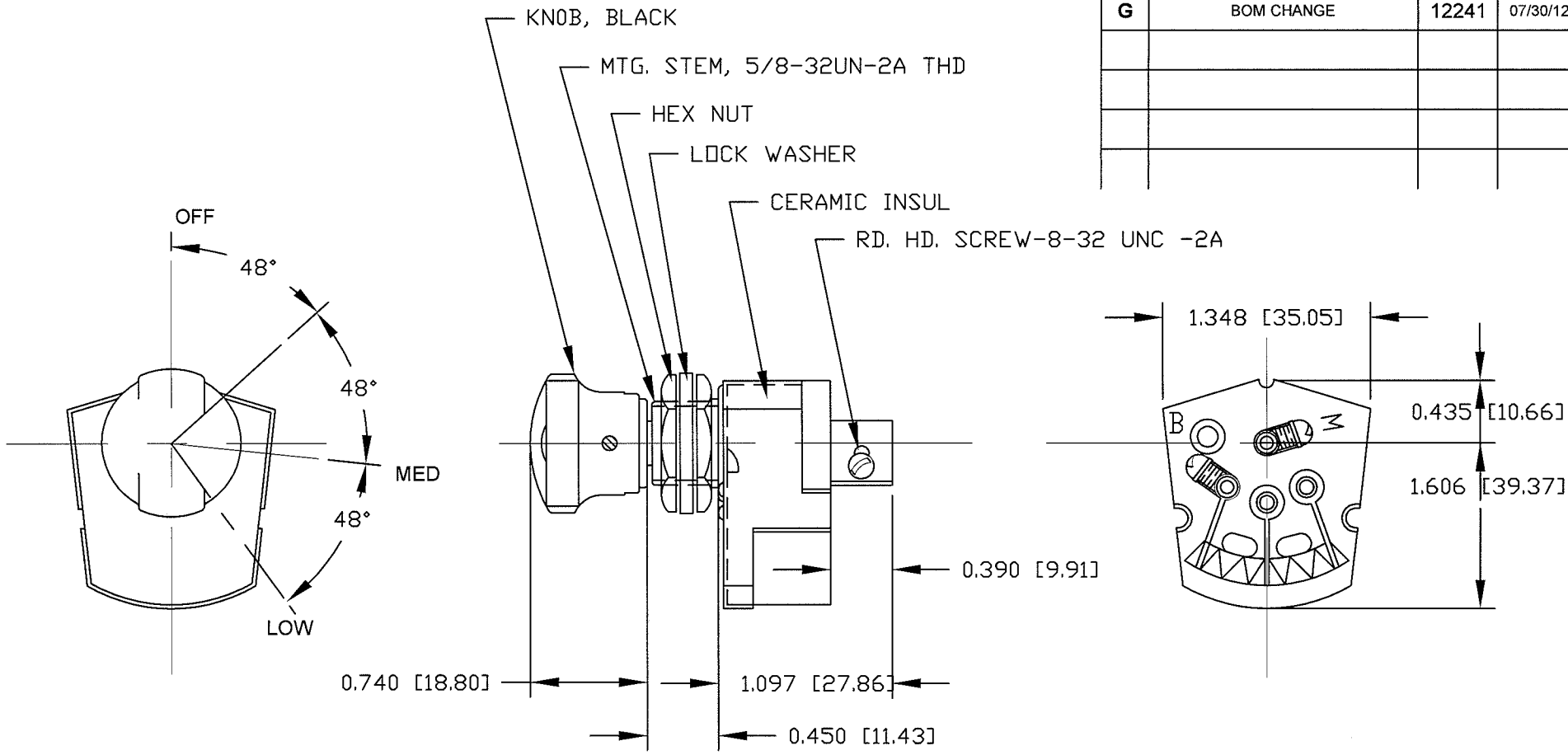


Revision Control Record

Rev.	Description of Change	ECN No.	Date
G	BOM CHANGE	12241	07/30/12



NOTE: ALL STEEL PARTS PLATED

12 VOLT - 3 OHMS

DO NOT SCALE

Note: unless noted otherwise all dimension are AFTER plating
Tolerances: Unless otherwise specifically noted, the following
 are default tolerances;

2-places ± 0.02 [0.5] **3-places** ± 0.005 [0.13] **Angular** ± 1'

Unless otherwise specified dimensions are in inches.
 Dimensions in brackets [] are in millimeters.

"REF" = Non-Toleranced Reference Dimension, shown for
 clarification purposes only.

Note: All tolerances are Non-Cumulative.

**PROPRIETARY
 INFORMATION**

All information contained
 herein, is proprietary to the
 Cole Hersee Company.
 Unauthorized use or
 reproduction is prohibited.

3RD ANGLE PROJECTION

Special Characteristics:

- CC** Critical Characteristic, relating to Safety and/or Regulatory Compliance
- X** Significant Characteristic relating to Process Control
- KC** Control Dimension relating to Form - Fit - Function as defined by Cole Hersee Company and/or the Customer



Littelfuse®

Phn: 617-268-2100 Web: www.colehersee.com

Description:

HEATER SWITCH

**Drawing /
 Part No.:**

68362

Current Rev.

G