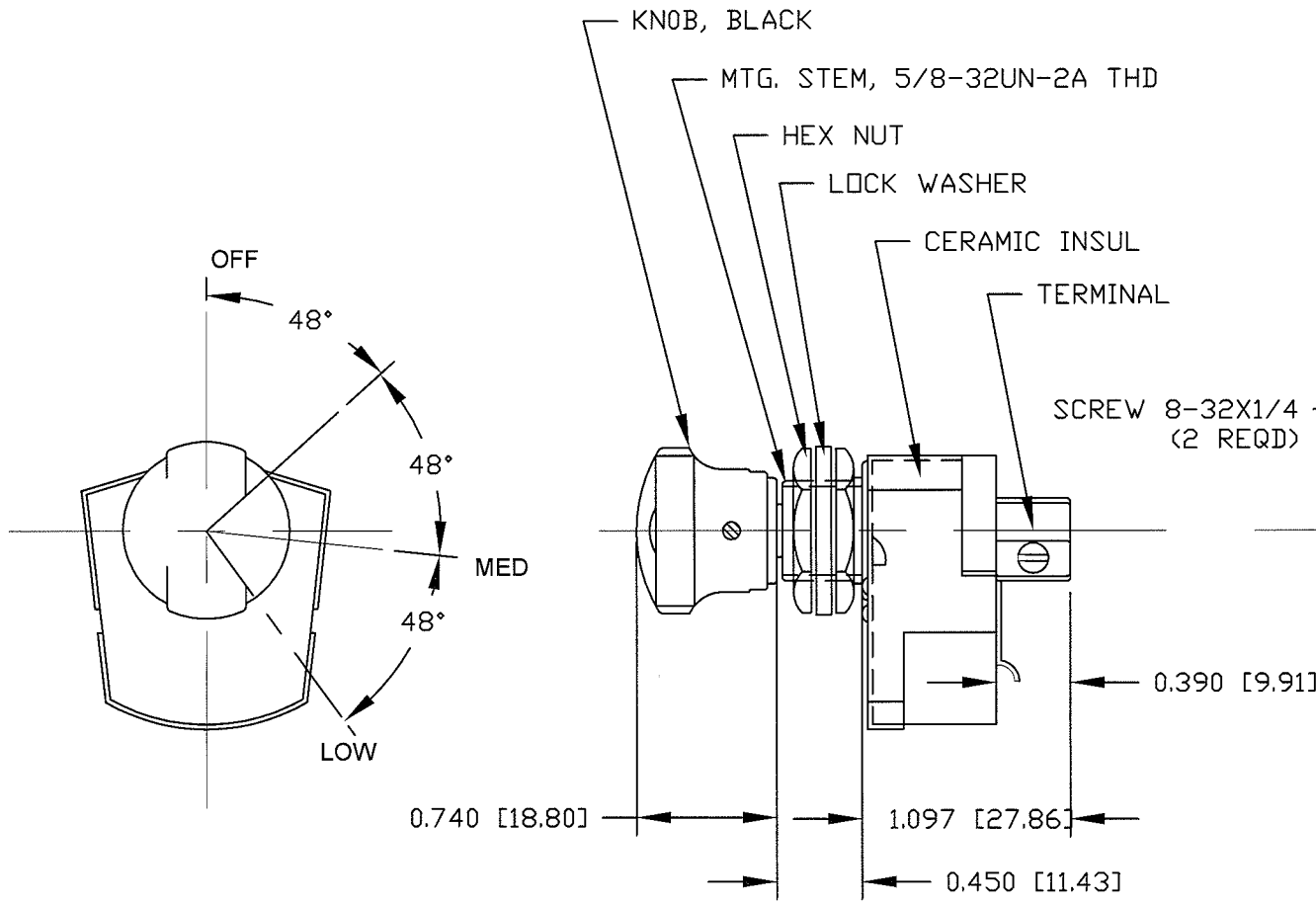


**Revision Control Record**

Rev.	Description of Change	ECN No.	Date
F	BOM CHANGE	12241	07/30/12



6 OHMS

DO NOT SCALE

**Note:** unless noted otherwise all dimension are AFTER plating  
Tolerances: Unless otherwise specifically noted, the following  
are default tolerances;

**2-places**      **3-places**      **Angular**  
 $\pm 0.02$  [0.5]       $\pm 0.005$  [0.13]       $\pm 1^\circ$

Unless otherwise specified dimensions are in inches.  
Dimensions in brackets [ ] are in millimeters.

"REF" = Non-Toleranced Reference Dimension, shown for  
clarification purposes only.

**Note:** All tolerances are Non-Cumulative.

**PROPRIETARY  
INFORMATION**

All information contained  
herein, is proprietary to the  
Cole Hersee Company.  
Unauthorized use or  
reproduction is prohibited.

3RD ANGLE PROJECTION

**Special Characteristics:**

- Critical Characteristic, relating to Safety and/or Regulatory Compliance
- Significant Characteristic relating to Process Control
- Control Dimension relating to Form - Fit - Function as defined by Cole Hersee Company and/or the Customer



**Littelfuse®**

Phn: 617-268-2100 Web: www.colehersee.com

**Description:**

**HEATER SWITCH**

**Drawing /  
Part No.:**

**68363**

**Current Rev.**

**F**