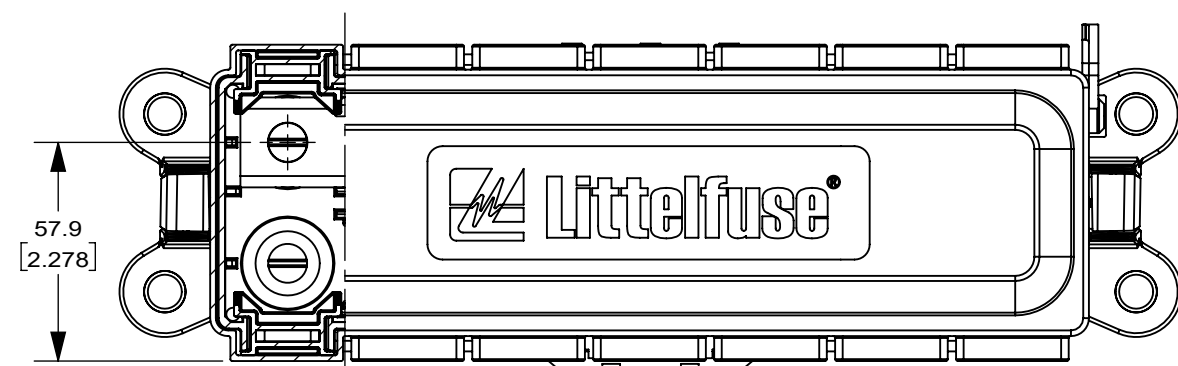
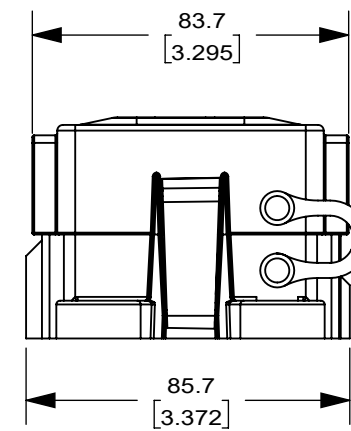
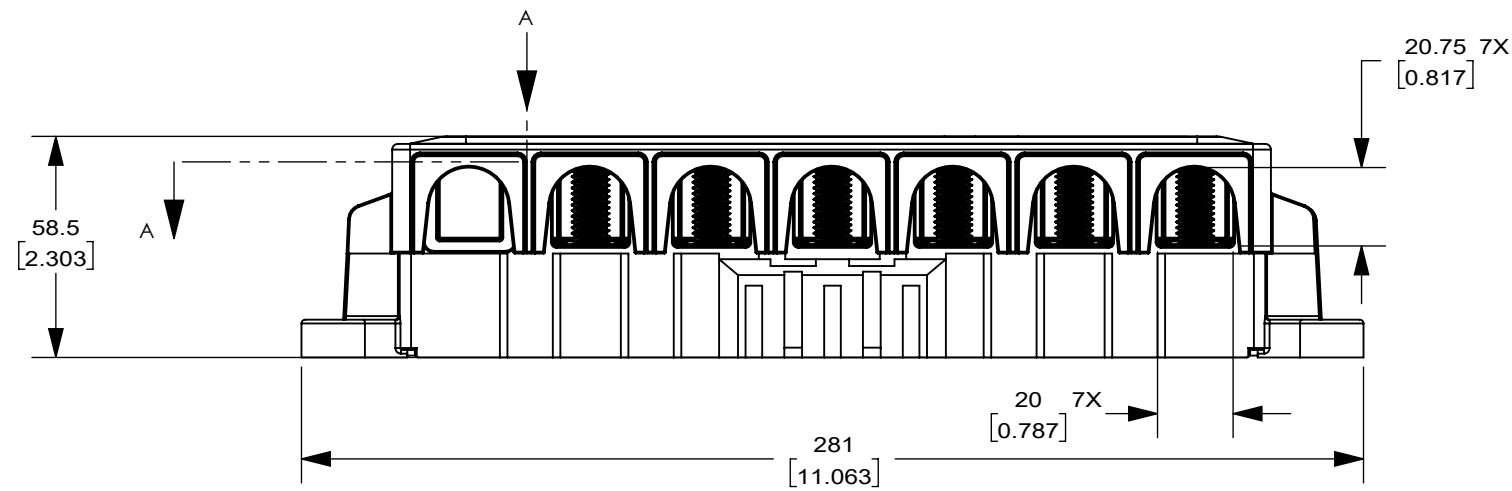
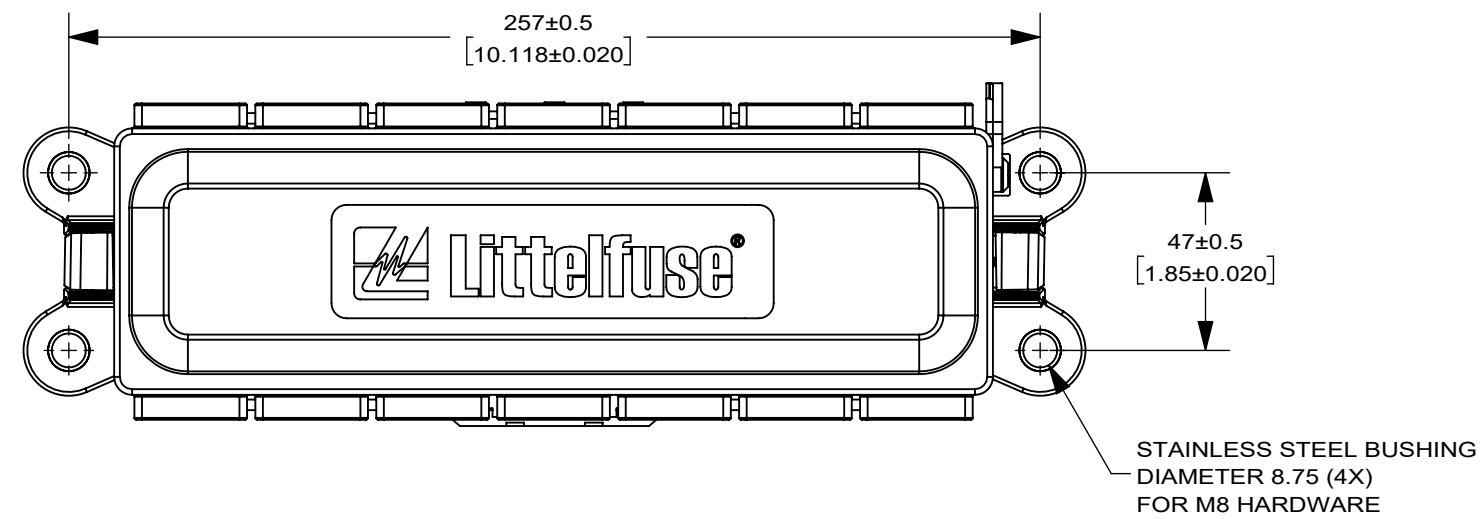
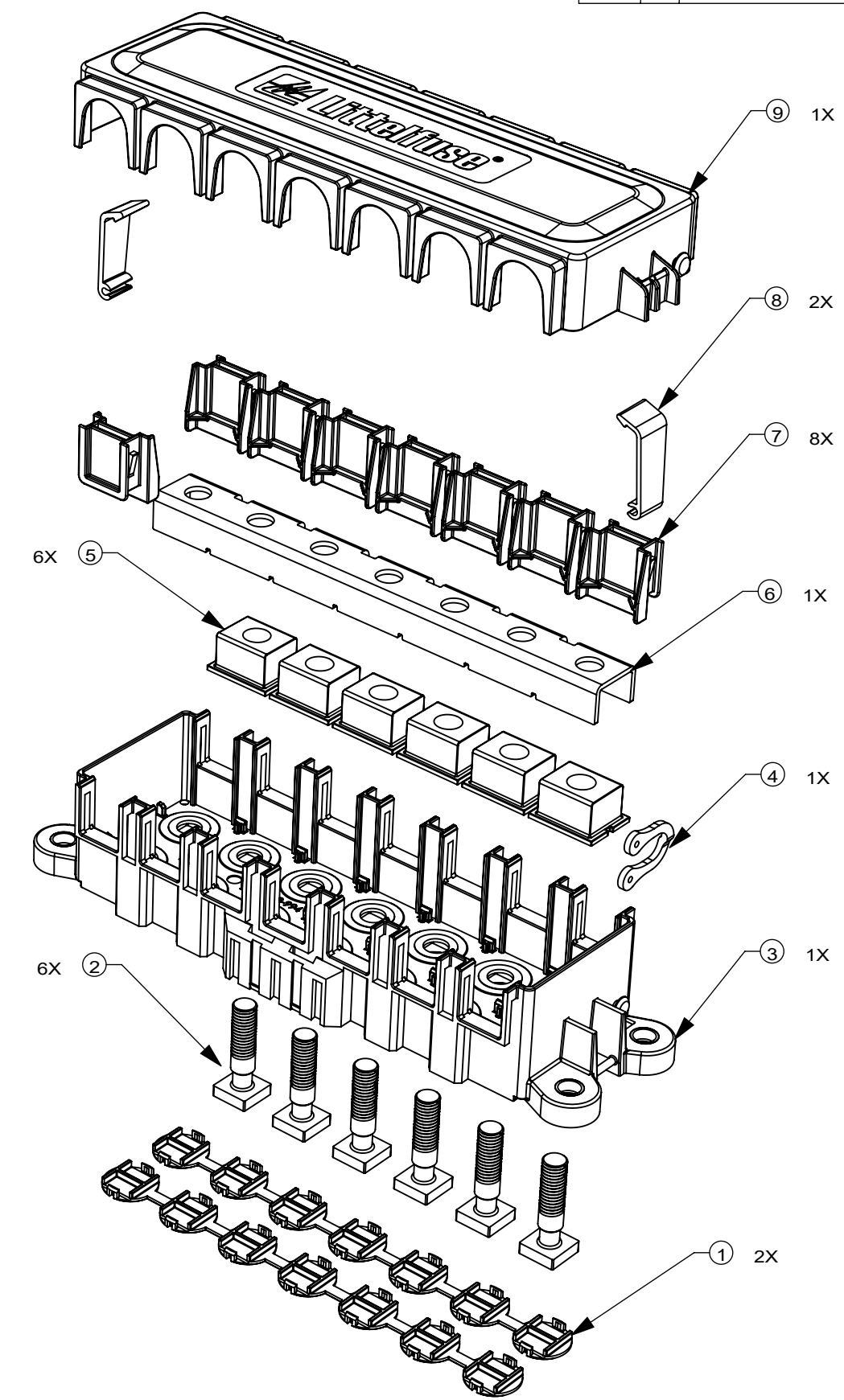
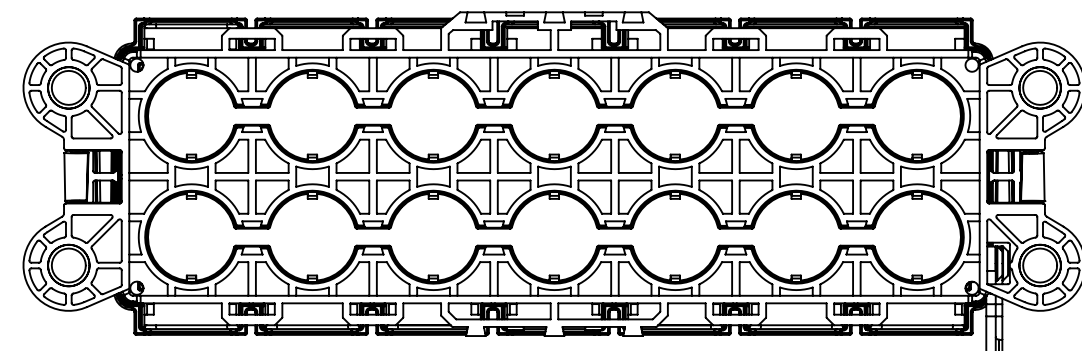


REVISIONS				
ZONE	REV.	DESCRIPTION	DATE	APPROVED
	A	522770GCC-NEW RELEASE DRAWING	13/Oct/2020	EDWARD JIN
	B	524752ECC-LATCH PN WAS 883-088	1/19/2022	EDWARD JIN



SECTION A-A



NOTES:

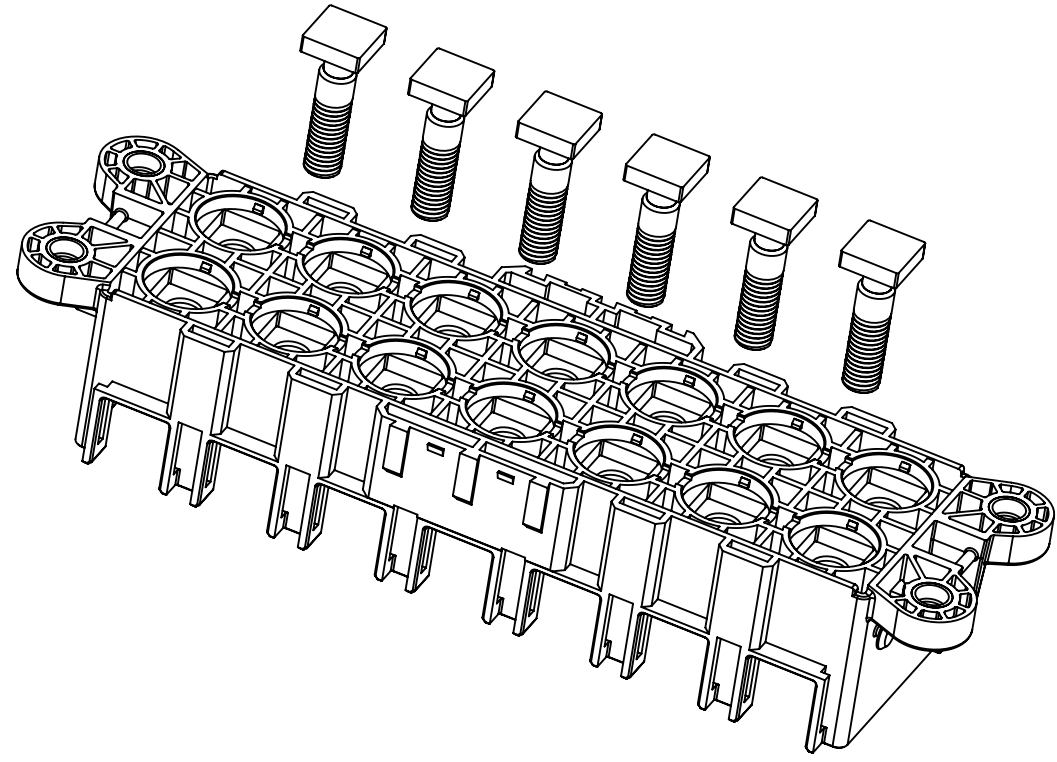
- MATERIALS:
 BASE/COVER: BLACK FR530
 BUS BAR: C1100 Sn PLATED
 DUST COVER: GREEN SILICON RUBBER
 TETHER: BLACK SILICON RUBBER
 STUD: STEEL Ni/Fe ALLOY PLATED
 BOTTOM CAP: BLUE PA66
 LATCH: YELLOW POM
 SUPPORT: BLACK BAKELITE
- MAX. MAIN INPUT: 400A
- OPERATING TEMPERATURE RANGE: -40°C TO 105°C
- M8 MOUNTING TORQUE: 10±2 Nm
- MAX. WIRE SIZE 105 sqmm OR AWG 4/0

NO.	COMPONENT NO.	COMPONENT NAME	QTY/M	U/M
9	873-723	COVER	1	EA
8	883-029	LATCH	2	EA
7	901-520	DUST COVER	8	EA
6	882-869-9	U SHAPE BUS BAR	1	EA
5	901-722	SINGLE SUPPORT	6	EA
4	890009470	TETHER	1	EA
3	868-994	BASE	1	EA
2	908-077	M10 STUD	6	EA
1	883-097	BOTTOM CAP	2	EA

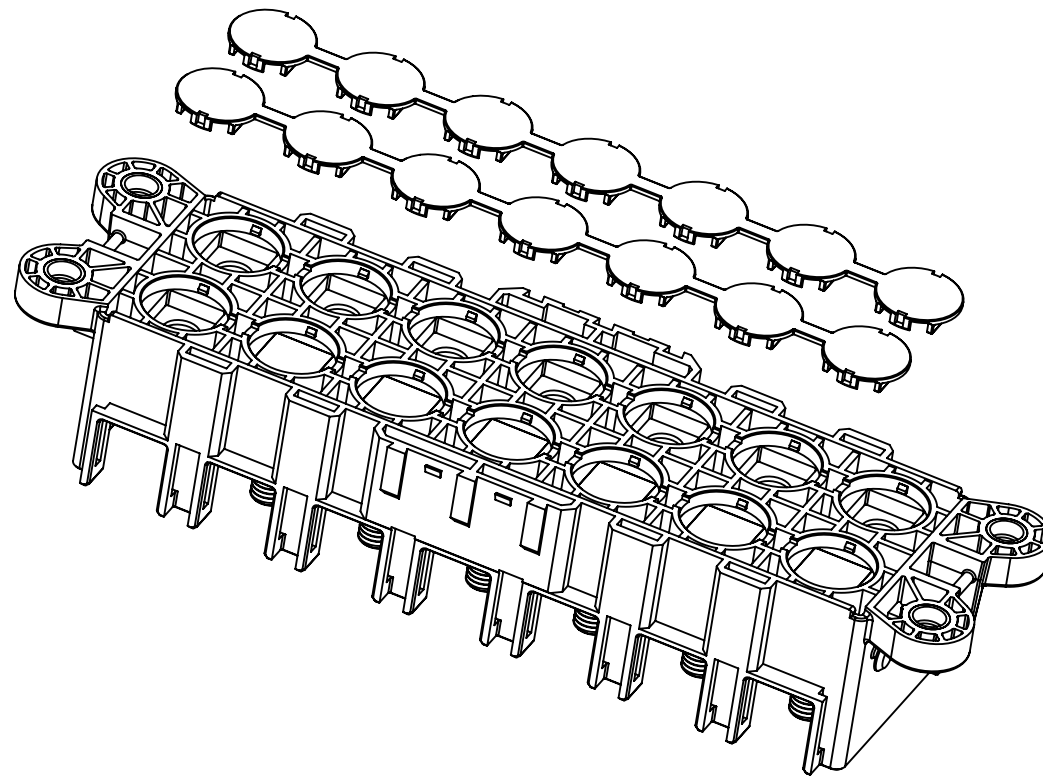
NO.	COMPONENT NO.	COMPONENT NAME	QTY/M	U/M
DIMENSIONS ARE SHOWN IN MILLIMETERS. DIMENSIONS AND TOLERANCES ARE DEFINED ACCORDING TO ANSI/ASME Y14.5-1994.				
●	FIT/ FUNCTION CRITICAL CHARACTERISTICS			
<S>	SAFETY/ COMPLIANCE CRITICAL CHARACTERISTICS SYMBOL			
CPK	DENOTES CPK DIMENSIONS MINIMUM CPK VALUE			
ST	DENOTES A CHARACTERISTIC THAT PROVIDES AN INDICATION OF PROCESS PERFORMANCE PROCEDURE FOR MEASUREMENT AND TRACKING TO BE DEFINED IN LITTELFUSE INSPECTION INSTRUCTIONS			
CP	DENOTES CP DIMENSIONS. -MINIMUM CP VALUE MUST BE WITHIN THE DIMENSIONAL LIMITATIONS SHOWN ON DRAWING AND INITIALLY LOCATED TO ALLOW FOR MAXIMUM TOOL LIFE			

NAME	DATE
DRAWN VLI	1/19/2022
CHECKED FYUE	1/20/2022
FORM NO: CVP-PE40-0005 REV B	
THIRD ANGLE PROJECTION	
DO NOT SCALE DRAWING	SCALE 1:2

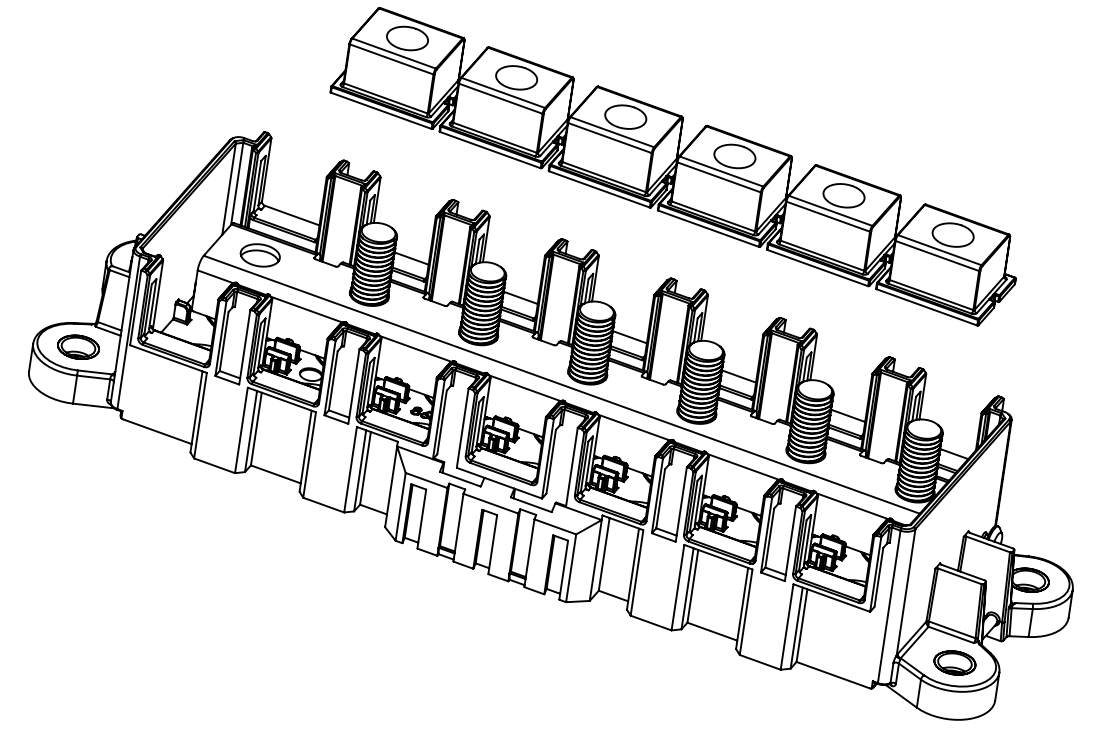
Expertise Applied Answers Delivered	
TITLE	
7 WAY GROUND BOX	
SIZE C	DWG. NO. 0FHZ1002Z
REV. B	SHEET 1 OF 2



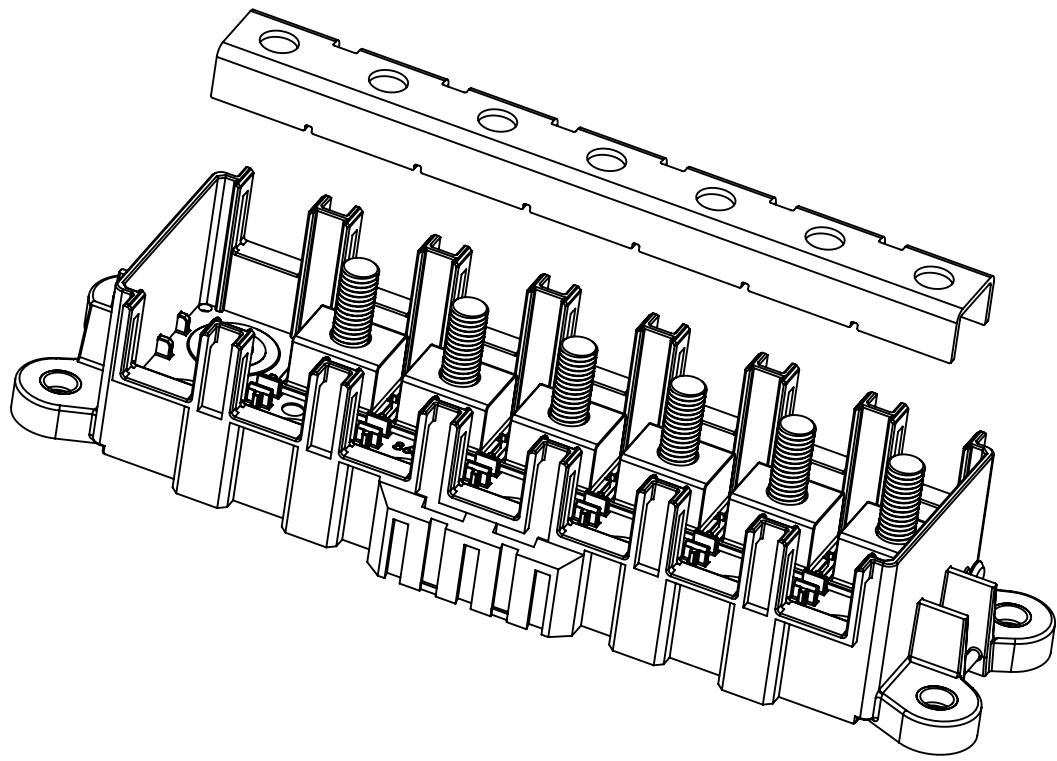
PUT 6PCS M10 STUD (908-077) INTO THE BOTTOM HOLE OF BASE (868-994)



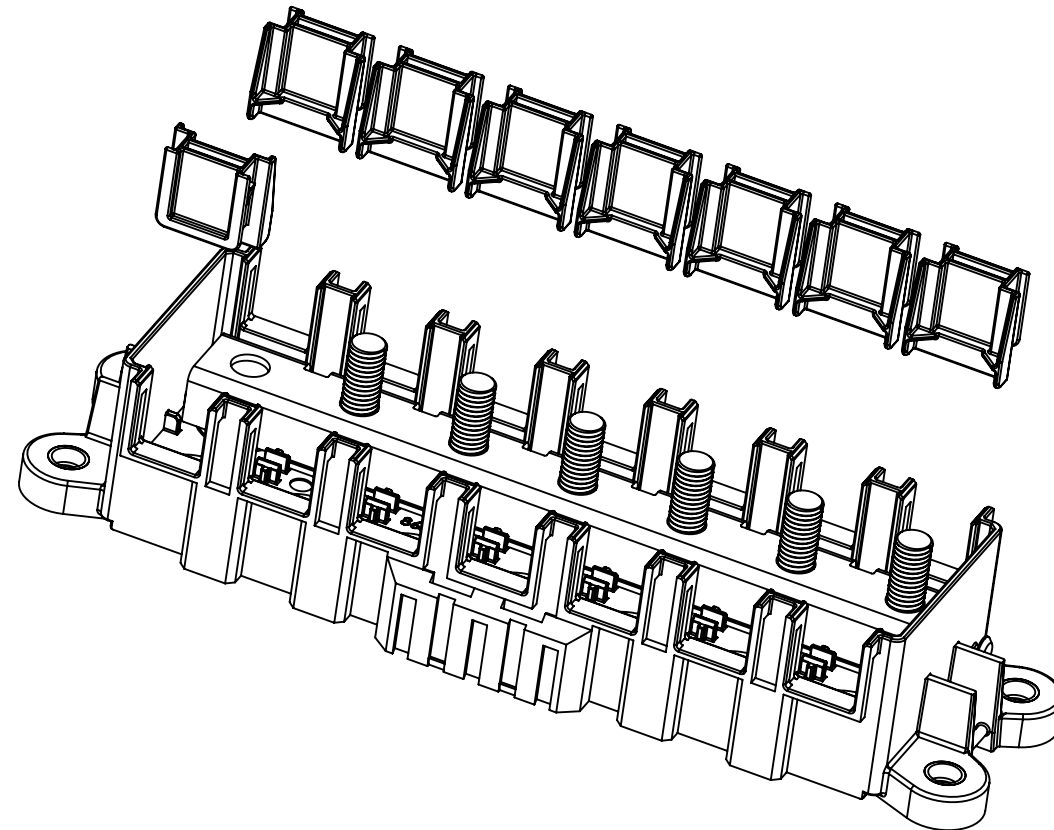
ASSEMBLY 2PCS BOTTOM CAP (883-097) ON BASE TO FIX STUDS



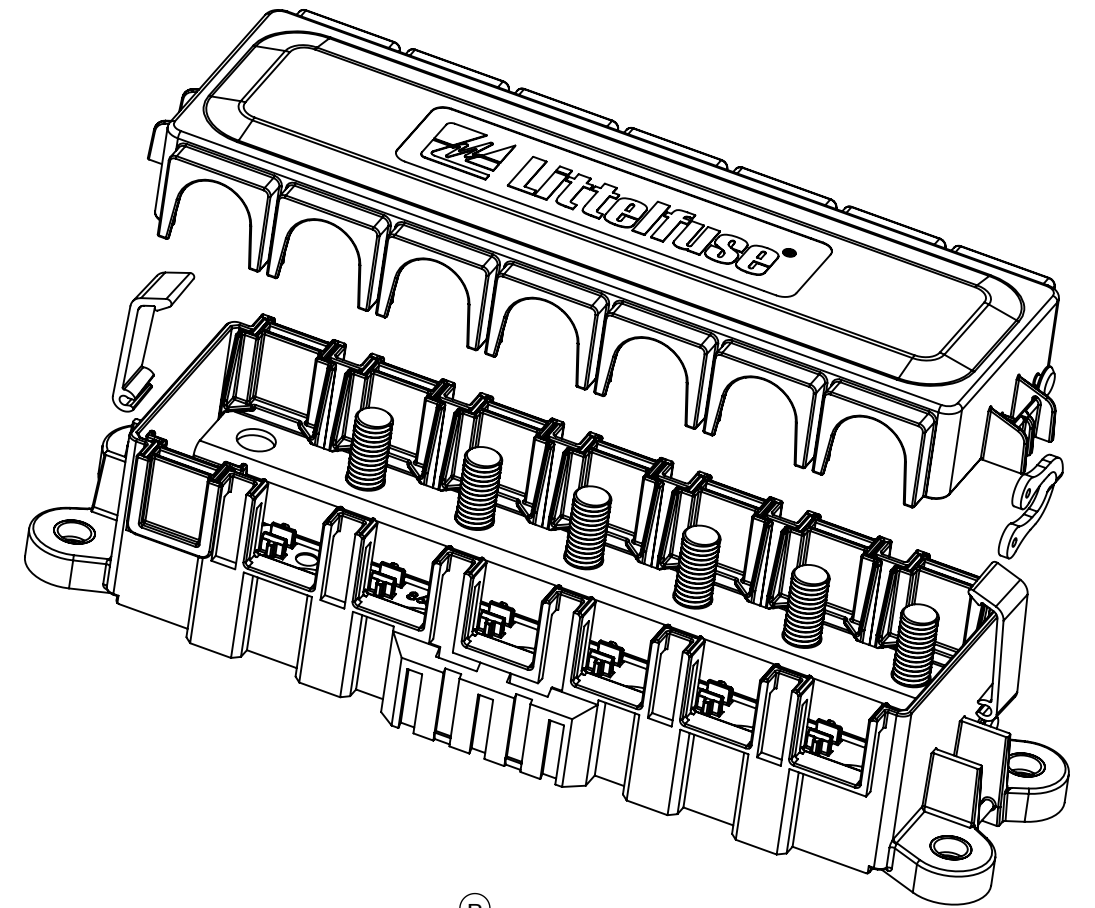
ASSEMBLY 6PCS SINGLE SUPPORT (901-722) ON BASE THROUGH STUDS



PUT 1PC U SHAPE BUS BAR (882-869-9) ON SUPPORT



ASSEMBLY 8PCS DUST COVER (901-520) ON BASE



ASSEMBLY 2PCS LATCH (883-029), 1PC TETHER (890009470) AND 1 PC COVER (873-723) ON BASE

DIMENSIONS ARE SHOWN IN MILLIMETERS. DIMENSIONS AND TOLERANCES ARE DEFINED ACCORDING TO ANSIS/ASME Y14.5-1994.	
	FIT/ FUNCTION CRITICAL CHARACTERISTICS
<S>	SAFETY/ COMPLIANCE CRITICAL CHARACTERISTICS SYMBOL
CPK	DENOTES CPK DIMENSIONS MINIMUM CPK VALUE
	DENOTES A CHARACTERISTIC THAT PROVIDES AN INDICATION OF PROCESS PERFORMANCE PROCEDURE FOR MEASUREMENT AND TRACKING TO BE DEFINED IN LITTELFUSE INSPECTION INSTRUCTIONS
CP	DENOTES CP DIMENSIONS. -MINIMUM CP VALUE MUST BE WITHIN THE DIMENSIONAL LIMITATIONS SHOWN ON DRAWING AND INITIALLY LOCATED TO ALLOW FOR MAXIMUM TOOL LIFE
NAME	DATE
DRAWN VLI	1/19/2022
CHECKED FYUE	1/20/2022
Expertise Applied Answers Delivered	
FORM NO. CVP-PE40-0005 REV B	TITLE
THIRD ANGLE PROJECTION	7 WAY GROUND BOX
	SIZE C DWG. NO. 0FHZ1002Z
DO NOT SCALE DRAWING	SCALE 1:2
	REV. B SHEET 2 OF 2