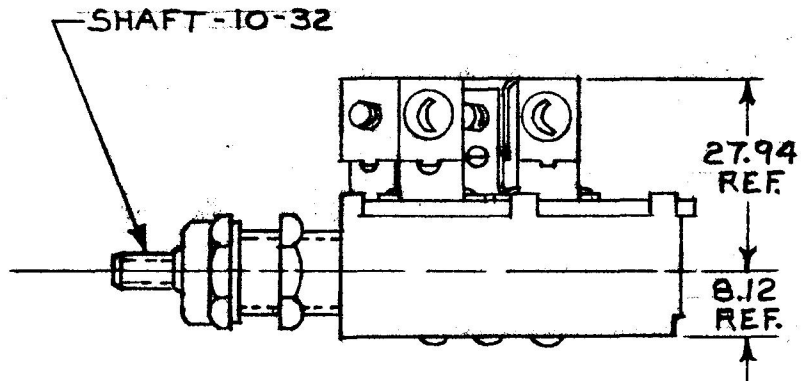
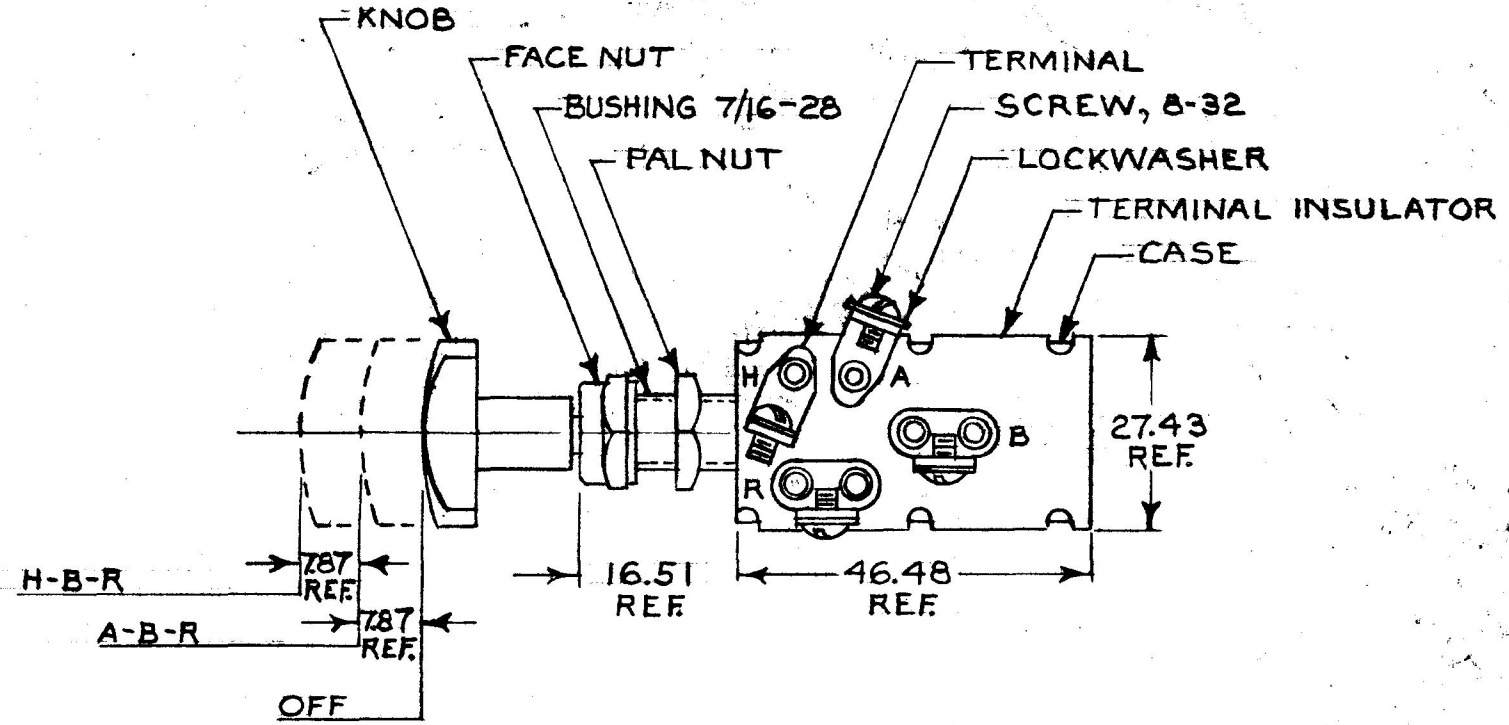


7124


MM IN
 7.87 .31
 8.12 .32
 16.51 .65
 27.43 1.08
 27.94 1.10
 46.48 1.83



NOTE:
 1. ALL STEEL PARTS
 PLATED

METRIC

DO NOT SCALE

LET.	WAS	DATE	BY	LET	WAS	DATE	BY	MATERIAL	DRAWN	CHECKED	APPR'D.	SCALE	DATE DRAWN
								<i>K</i>	NK	<i>[Signature]</i>		1:1	2-16-60
								FINISH					DATE BLUEPRINT
								TOLERANCES	 COLE HERSEE CO. 20 OLD COLONY AVENUE, SOUTH BOSTON, MA. U.S.A. 02127				
								DECIMAL ± METRIC ±					SWITCH, H/L, 3 POS.

CH-188(4-78)