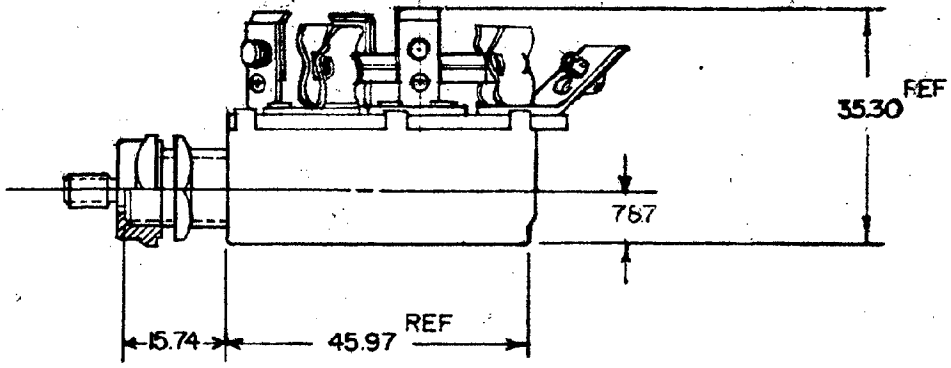
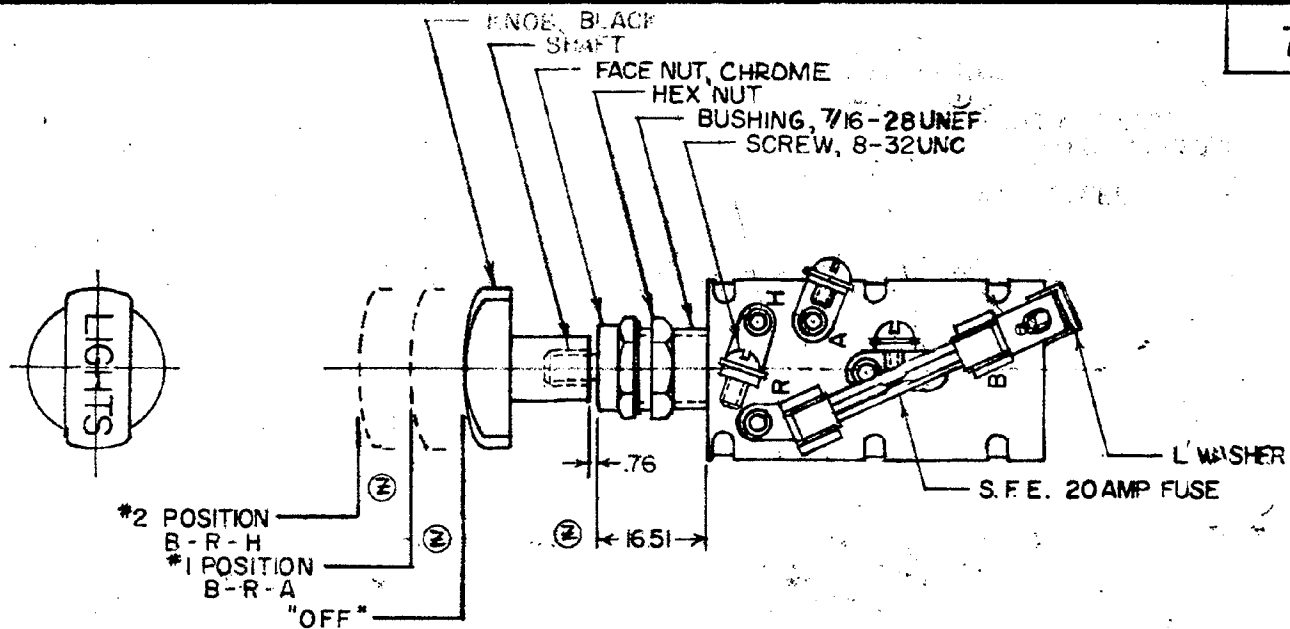


7127



NOTE: ALL STEEL PARTS PLATED

METRIC

DO NOT SCALE

| LET | WAS | DATE | BY | LET | WAS | DATE | BY | MATERIAL | DRAWN | CHECKED | APPR'D. | SCALE | DATE DRAWN | | | |
|-----|-----|------|----|-----|---------------|---------|---------|--------------|---|----------|---------|-------|----------------|--|--|--|
| | | | | | | | | — # — | RK | 11-20-78 | | 1:1 | 3-19-51 | | | |
| | | | | AA | BOM/ECN 13158 | 6/17/13 | CM | FINISH | 20 OLD COLONY AVENUE SOUTH BOSTON, MA, U.S.A. 02117 | | | | DATE BLUEPRINT | | | |
| | | | | Z | REVISED SHAFT | 2/3/2 | 2-25-81 | — # — | | | | | | | | |
| | | | | Y | REV/20475 | 11-3-80 | | TOLERANCES | | | | | | | | |
| | | | | X | REDRAWN | 11-6-78 | | FRACTIONAL ± | | | | | | | | |
| | | | | | | | | DECIMAL ±.25 | HEADLAMP SWITCH | | | | 7127 | | | |

CH-188 (4-78)