

COLE-HERSEE CO.

7152

SCREW, #8-32 UNC X 1/4 LG.
AND LOCKWASHER (4 REQ'D)

LOCKWASHER

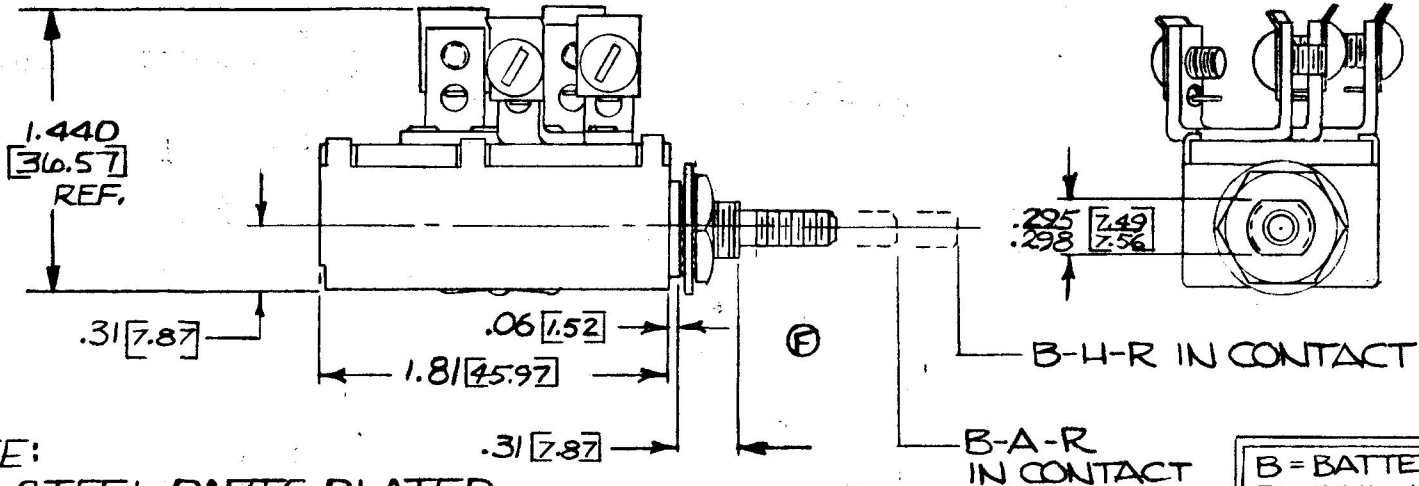
HEX NUT

BUSHING, 3/8 - 24 UNF

KNOB, IVORY, IMPRINTED "LIGHTS"

1.08 [27.43]

Ⓒ SILVERED RIVETS
AT HEADLAMP POSITION



NOTE:
ALL STEEL PARTS PLATED

B = BATTERY
R = TAIL LIGHTS
A = PARKING LIGHTS
H = HEADLAMPS

DO NOT SCALE

LET	WAS	DATE	BY	LET	WAS	DATE	BY	MATERIAL	DRAWN	CHECKED	APPR'D.	SCALE	DATE DRAWN
				F	REVISED SHAFT	2-20-81	Ⓔ	NOTED	JWH	CS	1-14-79	1X	2-26-46
				E	REV/20775	10-14-80	Ⓒ	FINISH NOTED					DATE BLUEPRINT
				D	REV/20973	4-17-80	Ⓔ						
				C	REV/19509	7-1-76	K	TOLERANCES					
				BB	REDRAWN	1-13-75	JWH	FRACTIONAL ±.015 DECIMAL ±.010					
COLE-HERSEE COMPANY BOSTON, MASS. 02127, U.S.A.													
HEADLAMP SWITCH												7152	