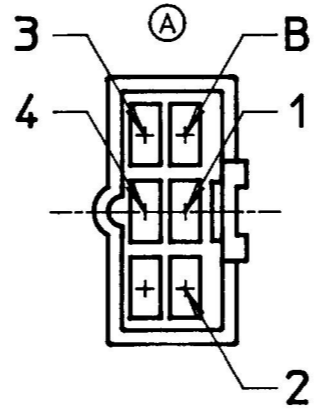
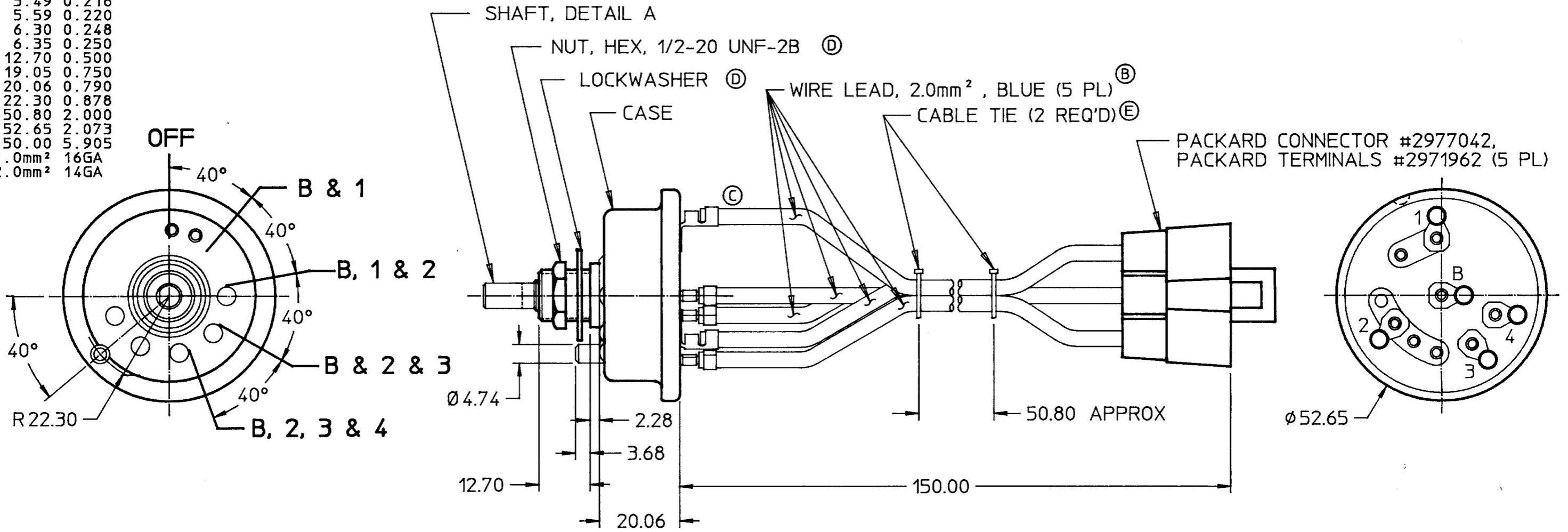
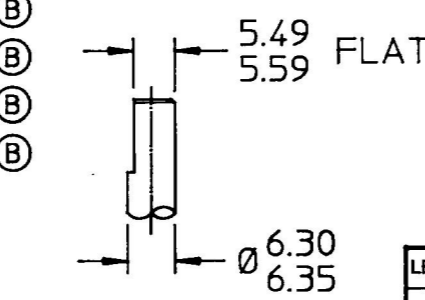


MM	IN
2.28	0.090
3.68	0.145
4.74	0.187
5.49	0.216
5.59	0.220
6.30	0.248
6.35	0.250
12.70	0.500
19.05	0.750
20.06	0.790
22.30	0.878
50.80	2.000
52.65	2.073
150.00	5.905
1.0mm ²	16GA
2.0mm ²	14GA



LEGEND	COLOR	WIRE SIZE
4	WORK LIGHT #2	BLUE 14 GA
3	WORK LIGHT #1	BLUE 14 GA
2	HEADLIGHT	BLUE 14 GA
1	HAZARD	BLUE 14 GA
B	BATTERY	BLUE 14 GA



DETAIL A

NOTES:
 1. ALL STEEL PARTS PLATED
 2. O-RING SEAL AT BUSHING
 3. CURRENT RATING: 12V DC, 25 AMPS TOTAL MAX

DO NOT SCALE

METRIC

LET.	WAS	DATE	BY	LET.	WAS	DATE	BY	MATERIAL	DRAWN	CHK	APVD	SCALE	DATE DRAWN
				D	ADDED MTG HDW ECN 25459	10/21/93	T.J.H		MJT			1:1	10/2/90
					ISSUED	4/26/93	AF	FINSH					DATE BLUEPRINTED
				C	REMOVED HEAT SHRINK TUBING, 5 PLACES	3/26/93	MJT						
				B	16GA WIRE, 4 PLACES	3/23/93	MJT	TOLERANCES DECIMAL ± ANGLE ±					
E	ECN #25530	1/27/94	MJT	A	REVISED TERM POS	1/25/93	MJT						

CH Cole Hersee Co.
 20 OLD COLONY AVENUE, BOSTON, MA., U.S.A. 02127

SWITCH, LIGHT

72093