

# LEGEND

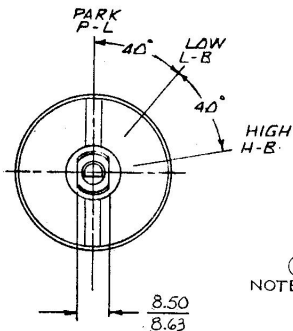
BAT	BATTERY	P	PARK
H	HIGH	W	WASH
L	LOW		

Confidential Property of Cole Hersee

75228-07

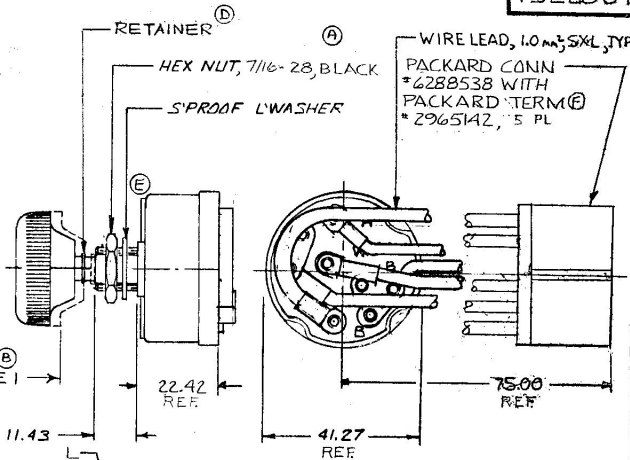
MM IN  
 8.50 .335  
 8.63 .340  
 11.43 .450  
 22.42 .883  
 41.27 1.625  
 75.00 2.952  
 1.0mm .039

EX20 495



FRONT VIEW OF KNOB

METRIC



FRONT VIEW OF CONN

- NOTES
1. PUSH KNOB TO ACTIVATE WASHER CIRCUIT PARK, LOW, HIGH POSITIONS
  2. ALL STEEL PARTS PLATED
  3. 10 AMPS @ 12 V.D.C.

DO NOT SCALE

LET.	WAS	DATE	BY	LET	WAS	DATE	BY	MATERIAL	DRAWN	CHECKED	APPROVD.	SCALE	BASIC -03 WITH WIRE LEADS	DATE DRAWN
				D	22542	12-12-86	ZU	---	P3	CS		1:1		11-23-83
				C	ADD NOTE 3	11/21/85	WB	FINISH		8/17/84				
				B	22545	10-28-84	PK	---						
F	ECN 00849	12/10/86	BL	A	22539	7-24-84	CS	TOLERANCES DECIMAL ± METRIC ±						
E	ECN 24372	6/7/90	BL		ISSUED	8-17-84	CS							

CH Cole Hersee Co.  
 WINDSHIELD WASHER SW

75228-07