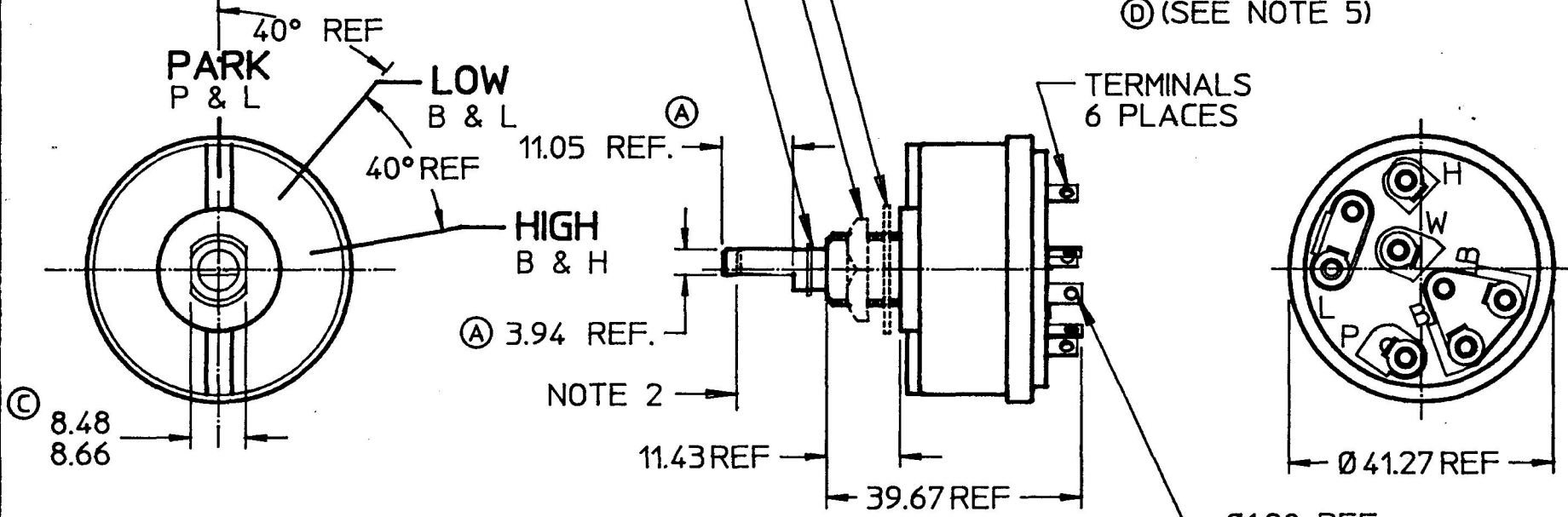


MM	IN
0.0127	0.0005 (B)
1.90	0.075
3.94	0.155 (A)
8.48	0.334 (C)
8.66	0.341 (A)
11.05	0.435 (A)
11.43	0.450
39.67	1.562
41.27	1.625




P	PARK
L	LOW
H	HIGH
B	BATTERY
W	WASHER
LEGEND	

METRIC

- NOTES:
1. ALL STEEL PARTS PLATED
 2. PUSH SHAFT TO ACTIVATE WASHER CIRCUIT "PARK", "LOW" & "HIGH" POSITION
 3. O-RING SEAL AT BUSHING
 4. RATING: 10 AMPS @ 12 V.D.C.
 - (D) 5. HEX NUT, LOCKWASHER SHIPPED IN SEPARATE BAGS IN EQUAL QUANTITY WITH SWITCHES IN SAME CONTAINER

DO NOT SCALE

LET.	WAS	DATE	BY	LET.	WAS	DATE	BY	MATERIAL	DRAWN	CHK	APVD	SCALE	EX24105A	DATE DRAWN
				D	ECN #25324 / ADDED NOTE 5	2/25/93	MJT		LIZ	AF		1:1		6/25/91
				C	ECN #25315 / 8.48/8.53	2/8/93	MJT	FINISH	 Cole Hersee Co. 20 OLD COLONY AVENUE, BOSTON, MA, U.S.A. 02127					DATE BLUEPRINTED
				B	ECN 25000	12/9/91	BL							
				A	ADDED REF. DIMS.	7/31/91	MJT	TOLERANCES DECIMAL ± ANGLE ±	SWITCH, WINDSHIELD WIPER					75228-17
					ISSUED	8/5/91	AF							