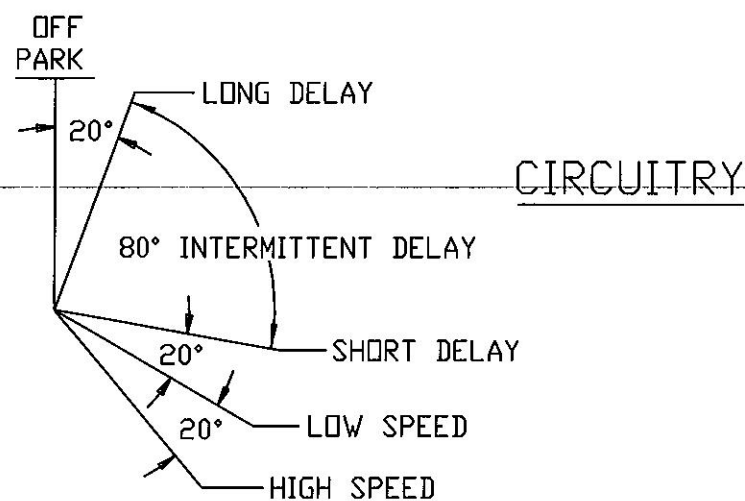
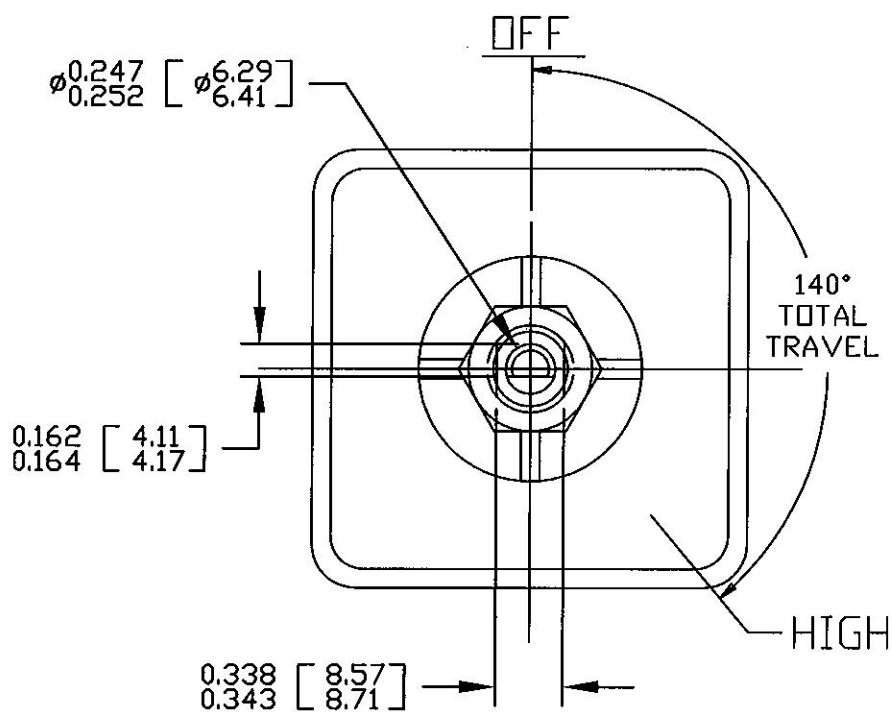


**Revision Control Record**

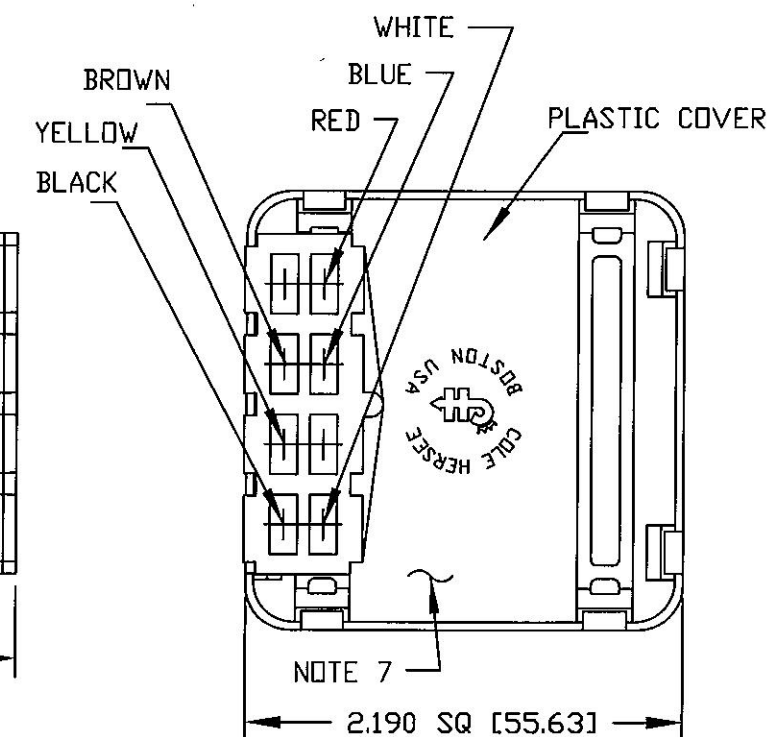
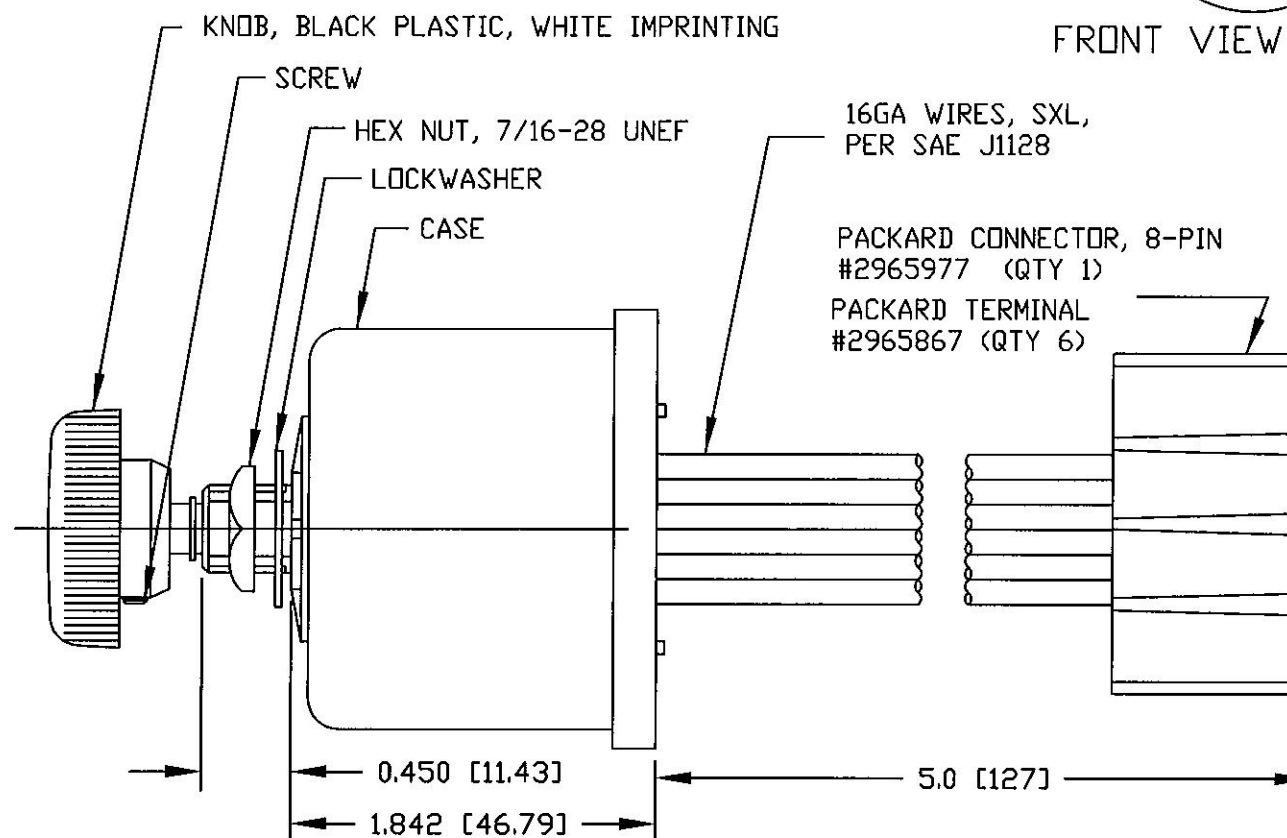
Rev.	Description of Change	ECN No.	Date
E	REVISED DRAWING, SSR	07035	1/25/07
F	BOM CHANGE	09588	01/15/10



**CIRCUITRY**



**FRONT VIEW OF KNOB**



**NOTES:**

- DESIGNED FOR 12V SYSTEM, SINGLE MOTOR, DYNAMIC AND NON-DYNAMIC PARK. TO BE USED WITH PERMANENT MAGNET MOTOR, NEGATIVE GROUND ONLY.
- PUSH TO WASH FUNCTION: RESULTS IN 2 TO 3 WIPES AFTER RELEASE OF PUSH SWITCH.
- RATING: VOLTAGE OPERATING RANGE 9VDC TO 16VDC  
 ROTARY SWITCH ACTUATION 20,000 CYCLES MINIMUM.  
 MOTOR DRIVE: 15 AMPS CONTINUOUS. START-UP/STALL/LOCKED-ROTOR 50 AMPS. SHORT-CIRCUIT PROOF.  
 WASHER CIRCUIT 3 AMPS, PUSH SWITCH 20,000 CYCLES MINIMUM.
- MICROPROCESSOR CONTROLLED, SOLID-STATE RELAY, CURRENT LIMIT SENSE CIRCUIT, REVERSE POLARITY PROTECTED
- CONFORMS TO SAE J1455:  
 4.11 GENERAL HEAVY DUTY TRUCK ELECTRICAL ENVIRONMENT.  
 4.11.1 STEADY-STATE ELECTRICAL CHARACTERISTICS.  
 4.11.2 TRANSIENT, NOISE AND ELECTROSTATIC CHARACTERISTICS.
- ENVIRONMENTAL EXTREMES BY LOCATION.  
 5.2 INTERIOR-FORWARD.
- ALL DIMENSIONS ARE REFERENCE ONLY UNLESS NOTED OTHERWISE.  
 7. COLE HERSEE PART NUMBER, REVISION, & DATE CODE STAMPED IN WHITE.

COLOR	FUNCTION
WHITE	MOTOR HIGH SPEED
YELLOW	MOTOR LOW SPEED
BLACK	GROUND (0V)
BROWN	WASHER PUMP
RED	VBB (12V)
BLUE	MOTOR PARK

**Tolerances** Unless otherwise specifically noted, the following are default tolerances:  
 \* 2-place Decimal Dimensions +/- .02"  
 \* 3-place Decimal Dimensions +/- .005"  
 \* Angular Dimensions +/- 1.0 Deg.  
 \* Metric: Refer to equivalent English Dimension Tolerance  
 >>> NOTE: All tolerances are Non-Cumulative. <<<

**Dimensional Units** All dimensions are expressed in inches except those shown in brackets (xxx) are expressed in millimeters

**"REF." or an Asterisk (\*)** = Non-Toleranced Reference Dimension, shown for clarification purposes only.

**PROPRIETARY INFORMATION** This Engineering Drawing, and the information contained herein, is proprietary to Cole Hersee Company and may not be disclosed, re-produced, or in any other way transferred or communicated to any other party without the express written consent of an authorized representative of Cole Hersee Company.

**DESIGN CONTROL** It is the responsibility of the individual using / referencing this drawing to assure that the noted design revision level agrees with the revision level of the Controlled Document (Master Drawing). This is a NON-CONTROLLED DOCUMENT unless otherwise specifically noted.

**DO NOT SCALE** - Dimensional variation may occur during printing / reproduction.

**Special Characteristics:**

- CC Critical Characteristic, relating to Safety and/or Regulatory Compliance
- X Significant Characteristic relating to Process Control (SPC)
- KC Control Dimension relating to Form - Fit - Function as defined by Cole Hersee Company and/or the Customer

(Note that the identification of any Characteristics as being "Special" does not alter the requirement that ALL specified dimensions & tolerances must be met.)

**Cole Hersee Co.**  
 20 Old Colony Ave., South Boston, MA, 02127  
 Phn: 617-268-2100 Web: www.colehersee.com

**Description:** WINDSHIELD WIPER CONTROLLER, UNIVERSAL, 12V

**Drawing / Part No.:** 75600

**Current Rev.:** F