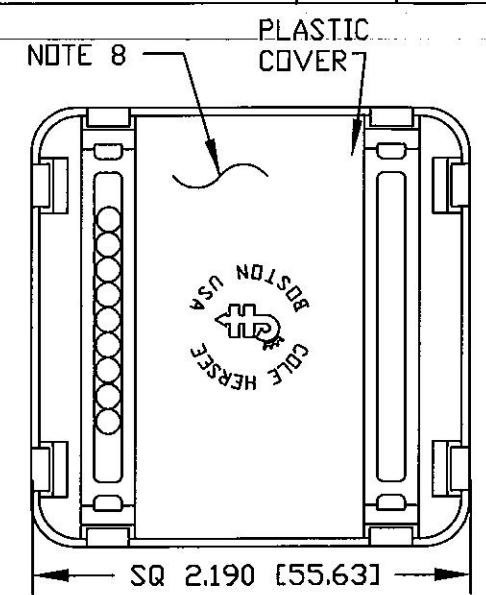
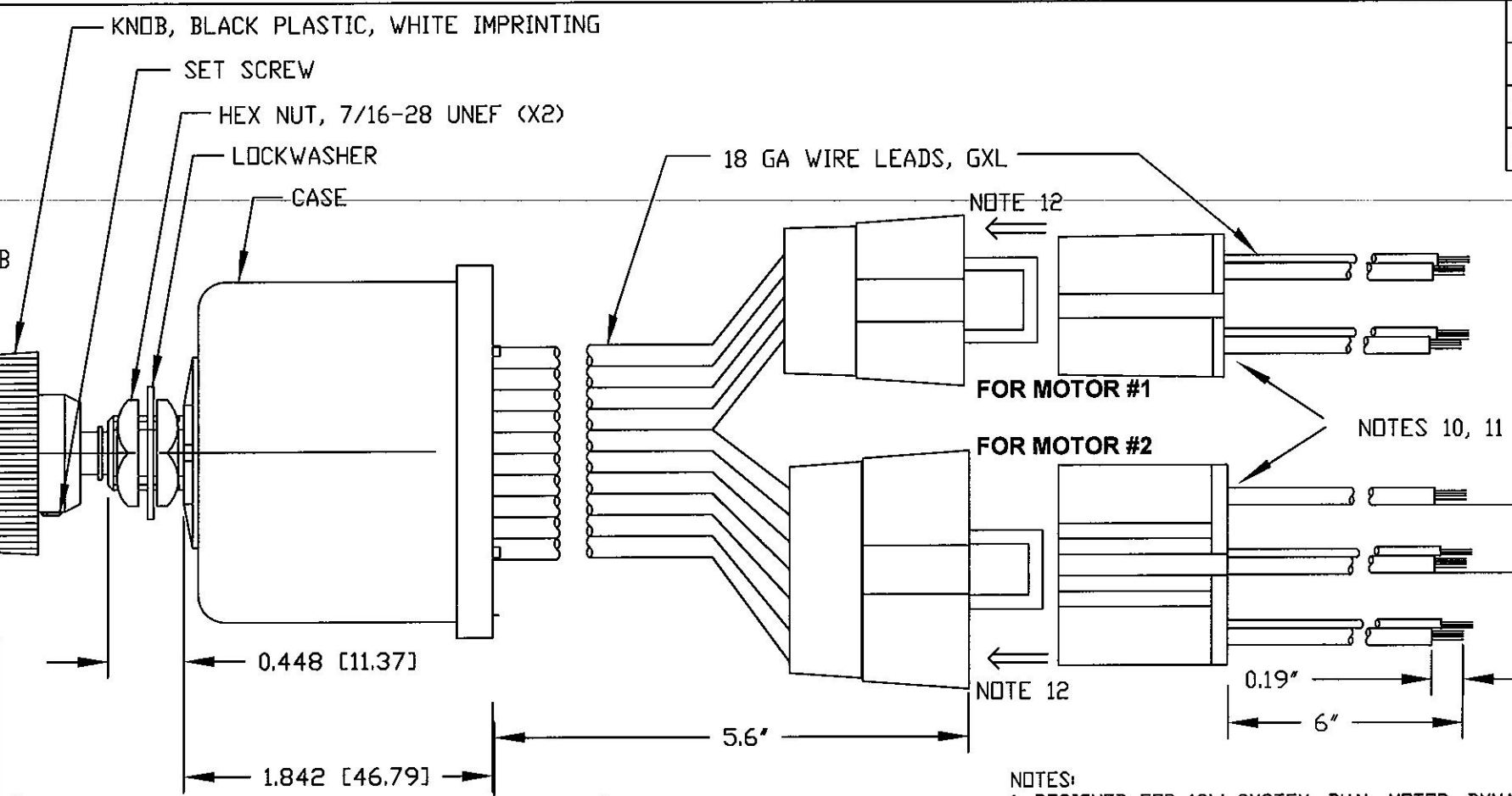
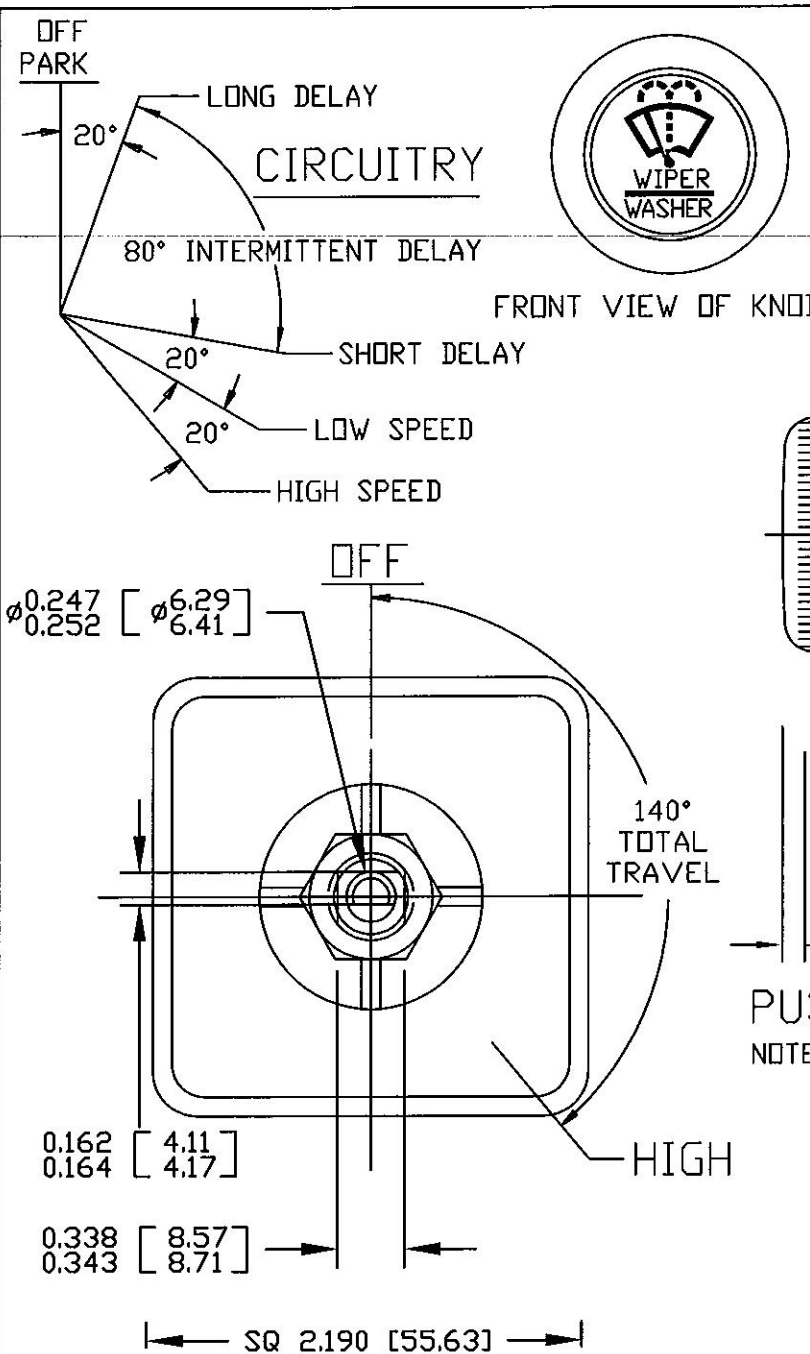


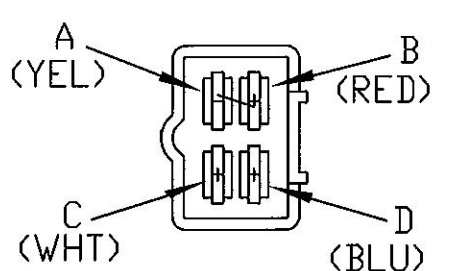
Revision Control Record

Rev.	Description of Change	ECN No.	Date
D	EDIT NOTE 10, 11, & 12	08253	04/15/09
E	BOM CHANGE	09587	01/13/10

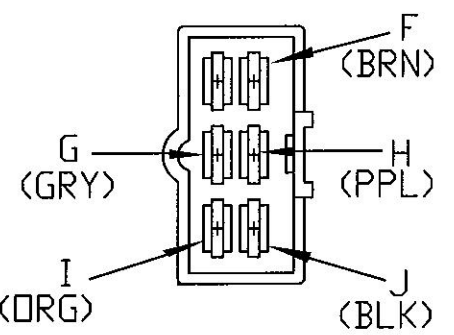


PUSH TO WASH
NOTE 2

MOTOR #1



MOTOR #2



SWITCH CONNECTOR VIEW
FROM OPEN END (FOR WIRING MATING
CONNECTORES REFER TO SHOP DRAWING)

- NOTES:
- DESIGNED FOR 12V SYSTEM, DUAL MOTOR, DYNAMIC AND NON-DYNAMIC PARK.
 - PUSH TO WASH FUNCTION RESULTS IN 2 TO 3 WIPES AFTER RELEASE OF PUSH SWITCH.
 - RATING: VOLTAGE OPERATING RANGE 9VDC TO 16VDC
ROTARY SWITCH ACTUATION 20,000 CYCLES MINIMUM.
MOTOR DRIVE: 10 AMPS PER MOTOR CONTINUOUS.
START-UP/STALL/LOCKED-ROTOR 30 AMPS. SHORT-CIRCUIT PROOF.
WASHER CIRCUIT 3 AMPS, PUSH SWITCH 20,000 CYCLES MINIMUM.
 - MICROPROCESSOR CONTROLLED, SOLID-STATE RELAY, CURRENT LIMIT SENSE CIRCUIT, REVERSE POLARITY PROTECTED
 - CONFORMS TO SAE J1455:
OPERATING TEMPERATURE, PER TABLE 1A-2b INSTRUMENT PANEL, -40C TO +85C
4.11 GENERAL HEAVY DUTY TRUCK ELECTRICAL ENVIRONMENT.
4.11.1 STEADY-STATE ELECTRICAL CHARACTERISTICS.
4.11.2 TRANSIENT, NOISE AND ELECTROSTATIC CHARACTERISTICS.
 - INTERMITTENT DELAYS: 1, 2, 4, 7, 11 AND 16 SECONDS
 - ALL DIMENSIONS ARE REFERENCE ONLY UNLESS NOTED OTHERWISE.
 - COLE HERSEE PART NUMBER, REVISION, & DATE CODE STAMPED IN WHITE ON REAR PLASTIC COVER.
 - SWITCH SIDE CONNECTORS:
6-PIN: DELPHI P.N. 2977042
4-PIN: DELPHI P.N. 6294544
TERMINALS, DELPHI P.N. 2965439 (QTY 9)
 - VEHICLE HARNESS SIDE CONNECTOR ASSEMBLIES (INCLUDING 6' WIRES):
6-PIN: COLE HERSEE P.N. 65232
4-PIN: COLE HERSEE P.N. 65231
 - FOR WIRING MATING CONNECTORS REFER TO SHOP DRAWING.
 - ASSEMBLE CONNECTORS SO THAT THEY ARE FULLY MATED AND LOCKED

COLOR (SWITCH CONN'S)	COLOR (MATING CONN'S)	FUNCTION	TERMINAL
YELLOW	YELLOW	LOW-SPEED MOTOR #1	A
RED	RED	VBB (12V POWER)	B
WHITE	WHITE	HIGH-SPEED MOTOR#1	C
BLUE	BLUE	PARK MOTOR #1	D
BROWN	BROWN	WASHER	F
GREY	WHITE	HIGH-SPEED MOTOR #2	G
PURPLE	BLUE	PARK MOTOR #2	H
ORANGE	YELLOW	LOW-SPEED MOTOR #2	I
BLACK	BLACK	GROUND (OV)	J

Tolerances Unless otherwise specifically noted, the following are default tolerances:
 * 2-place Decimal Dimensions +/- .02"
 * 3-place Decimal Dimensions +/- .005"
 * Angular Dimensions +/- 1.0 Deg.
 * Metric: Refer to equivalent English Dimension Tolerance
 >>> NOTE: All tolerances are Non-Cumulative. <<<

Dimensional Units All dimensions are expressed in inches except those shown in brackets (xxx) are expressed in millimeters

"REF." or an Asterisk (*) = Non-Toleranced Reference Dimension, shown for clarification purposes only.

PROPRIETARY INFORMATION This Engineering Drawing, and the information contained herein, is proprietary to Cole Hersee Company and may not be disclosed, re-produced, or in any other way transferred or communicated to any other party without the express written consent of an authorized representative of Cole Hersee Company.

DESIGN CONTROL It is the responsibility of the individual using / referencing this drawing to assure that the noted design revision level agrees with the revision level of the Controlled Document (Master Drawing). This is a NON-CONTROLLED DOCUMENT unless otherwise specifically noted.

DO NOT SCALE - Dimensional variation may occur during printing / reproduction.

- Special Characteristics:**
- Critical Characteristic, relating to Safety and/or Regulatory Compliance
 - Significant Characteristic relating to Process Control (SPC)
 - Control Dimension relating to Form - Fit - Function as defined by Cole Hersee Company and/or the Customer
- (Note that the Identification of any Characteristics as being "Special" does not alter the requirement that ALL specified dimensions & tolerances must be met.)

Cole Hersee Co.
 20 Old Colony Ave., South Boston, MA, 02127
 Phn: 617-268-2100 Web: www.colehersee.com

Description:
WINDSHIELD WIPER CONTROLLER, DUAL-MOTOR, 12V, SSR

Drawing / Part No.: **75600-20** Current Rev. **E**

Used On or Ref.: **EX28333** Scale: **1:1** Drawn By: **JCS** Date Drawn: **10/10/06**

Responsible Engineer: **JCS** Pg. **1**