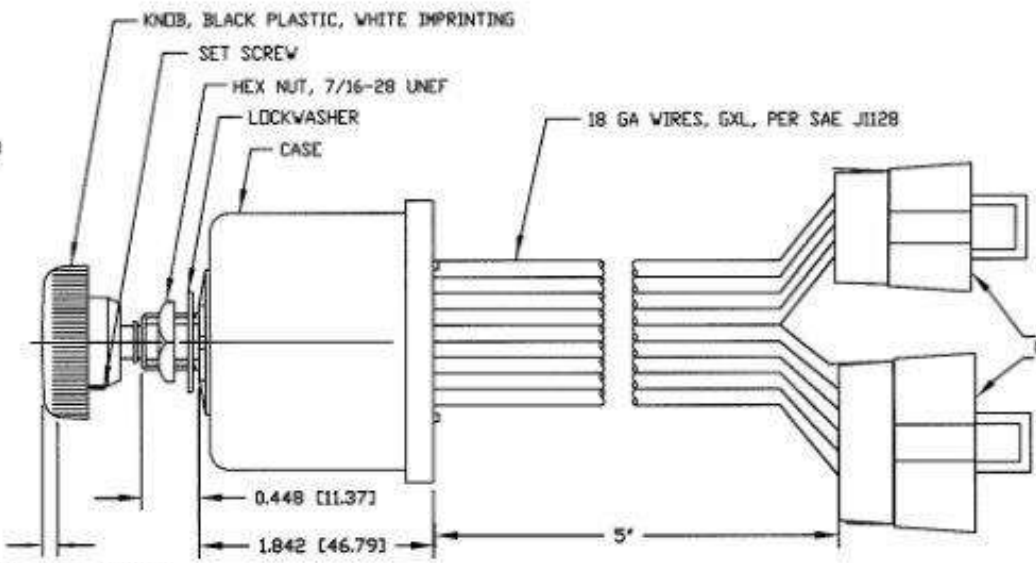
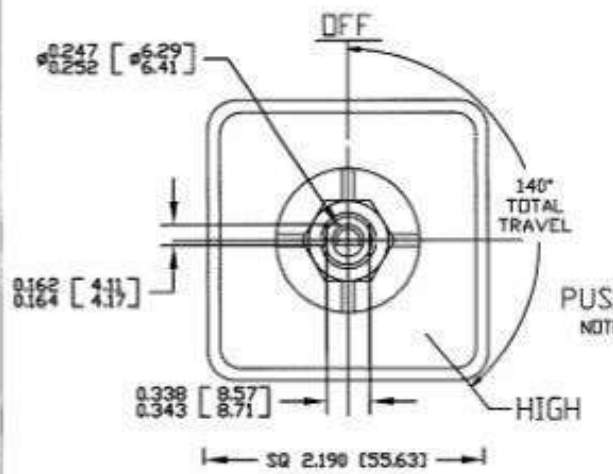


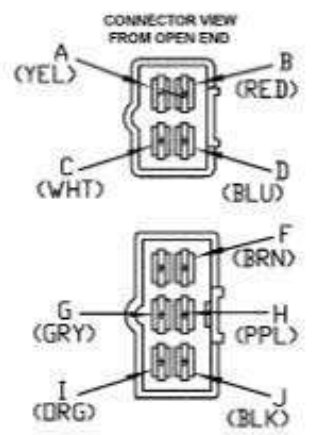
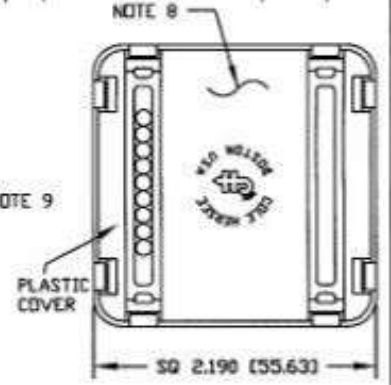
FRONT VIEW OF KNOB



PUSH TO WASH  
NOTE 2

- NOTES:
- DESIGNED FOR 24V SYSTEM, DUAL MOTOR, DYNAMIC AND NON-DYNAMIC PARK.
  - PUSH TO WASH FUNCTION RESULTS IN 3 WIPES AFTER RELEASE OF PUSH SWITCH.
  - RATING: VOLTAGE OPERATING RANGE 18VDC TO 32VDC. ROTARY SWITCH ACTUATION 20,000 CYCLES MINIMUM. MOTOR DRIVE 10 AMPS PER MOTOR CONTINUOUS. START-UP/STALL/LOCKED-ROTOR 30 AMPS. SHORT-CIRCUIT PROOF. WASHER CIRCUIT 3 AMPS, PUSH SWITCH 20,000 CYCLES MINIMUM.
  - MICROPROCESSOR CONTROLLED, SOLID-STATE RELAY, CURRENT LIMIT SENSE CIRCUIT, REVERSE POLARITY PROTECTED.
  - CONFORMS TO SAE J455:
    - 4.11 GENERAL HEAVY DUTY TRUCK ELECTRICAL ENVIRONMENT.
    - 4.11.1 STEADY-STATE ELECTRICAL CHARACTERISTICS.
    - 4.11.2 TRANSIENT, NOISE, AND ELECTROSTATIC CHARACTERISTICS.
  - INTERMITTENT DELAYS: 1, 2, 4, 7, 11 AND 16 SECONDS.
  - ALL DIMENSIONS ARE REFERENCE ONLY UNLESS NOTED OTHERWISE.
  - COLE HERSEE PART NUMBER, REVISION, & DATE CODE STAMPED IN WHITE ON REAR PLASTIC COVER.
  - CONNECTORS, DELPHI: 6-PIN, PART# 2977942 (QTY 1); 4-PIN, PART# 6294544 (QTY 1); TERMINALS, DELPHI: PART#2965439 (QTY 9)

Revision Control Record			
Rev.	Description of Change	ECR No.	Date
K	CORRECT NOTE	07463	12/03/07
L	CHANGE BOM	09607	04/13/08
M	FIXED TYPO	12174	4/20/12



COLOR	FUNCTION	TERMINAL
YELLOW	LOW-SPEED MOTOR #1	A
RED	VBB (24V POWER)	B
WHITE	HIGH-SPEED MOTOR#1	C
BLUE	PARK MOTOR #1	D
BROWN	WASHER	F
GREY	HIGH-SPEED MOTOR #2	G
PURPLE	PARK MOTOR #2	H
DRANGE	LOW-SPEED MOTOR #2	I
BLACK	GROUND (0V)	J

**DESIGN:** Other than specify what the following are: 2D/3D drawings.  
 \* Unless otherwise specified:  
 \* Unless otherwise specified: 1/8"  
 \* Unless otherwise specified: 90°  
 \* Angles: Dimensioned to 1/16"  
 \* Holes: Holes are specified in English Dimensional Units unless otherwise specified.  
 \*\* NOTE: All dimensions are in inches unless otherwise specified.

**DESIGN/REVISION:** All dimensions are expressed in inches unless otherwise specified in brackets and are expressed in millimeters.

**DESIGN/REVISION:** All dimensions are expressed in inches unless otherwise specified in brackets and are expressed in millimeters.

**DESIGN/REVISION:** All dimensions are expressed in inches unless otherwise specified in brackets and are expressed in millimeters.

Used On: **EX28333** Scale: **1:1**

**PRODUCTION APPROVAL:** This Engineering Drawing, and the information contained herein, is proprietary to Cole Hersee Company and may not be disclosed, reproduced, or in any other way transmitted or communicated to any other party without the express written consent of an authorized representative of Cole Hersee Company.

**DESIGN/REVISION:** It is the responsibility of the individual using this drawing to ensure that the actual design conforms to the intent of the drawing and that the drawing is used as intended. This is a non-controlled document unless otherwise specifically noted.

DO NOT SCALE - Dimensional values may vary during printing/ reproduction.

Drawn: **JCS** Date: **10/10/06**  
 Dwg. No.: **75602-02**

**DESIGN/REVISION:**  
 Critical Characteristics: Nothing is fully under Regulatory Compliance.  
 Significant Characteristics: Nothing is Process Critical (PC).  
 Control Characteristics: Nothing is Process Critical (PC) as defined by Cole Hersee Company under the Customer.  
 (Note: Not the identification of any Characteristics as being "Special" does not alter the requirement for all specified dimensions & tolerances to be met.)

Responsible Engineer: **JCS** Pg. **1**

**Cole Hersee Co.**  
 30 Old Colony Ave., South Boston, MA, 02127  
 Phone: 617-288-2100 Web: www.colehersee.com

**Description:**  
**WINDSHIELD WIPER CONTROLLER, DUAL-MOTOR, 24V, SSR**

Drawings/Part No.: **75602-02** Current Rev.: **M**