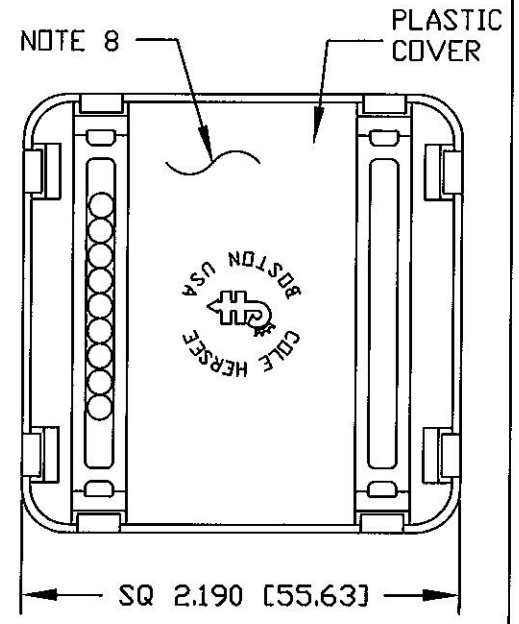
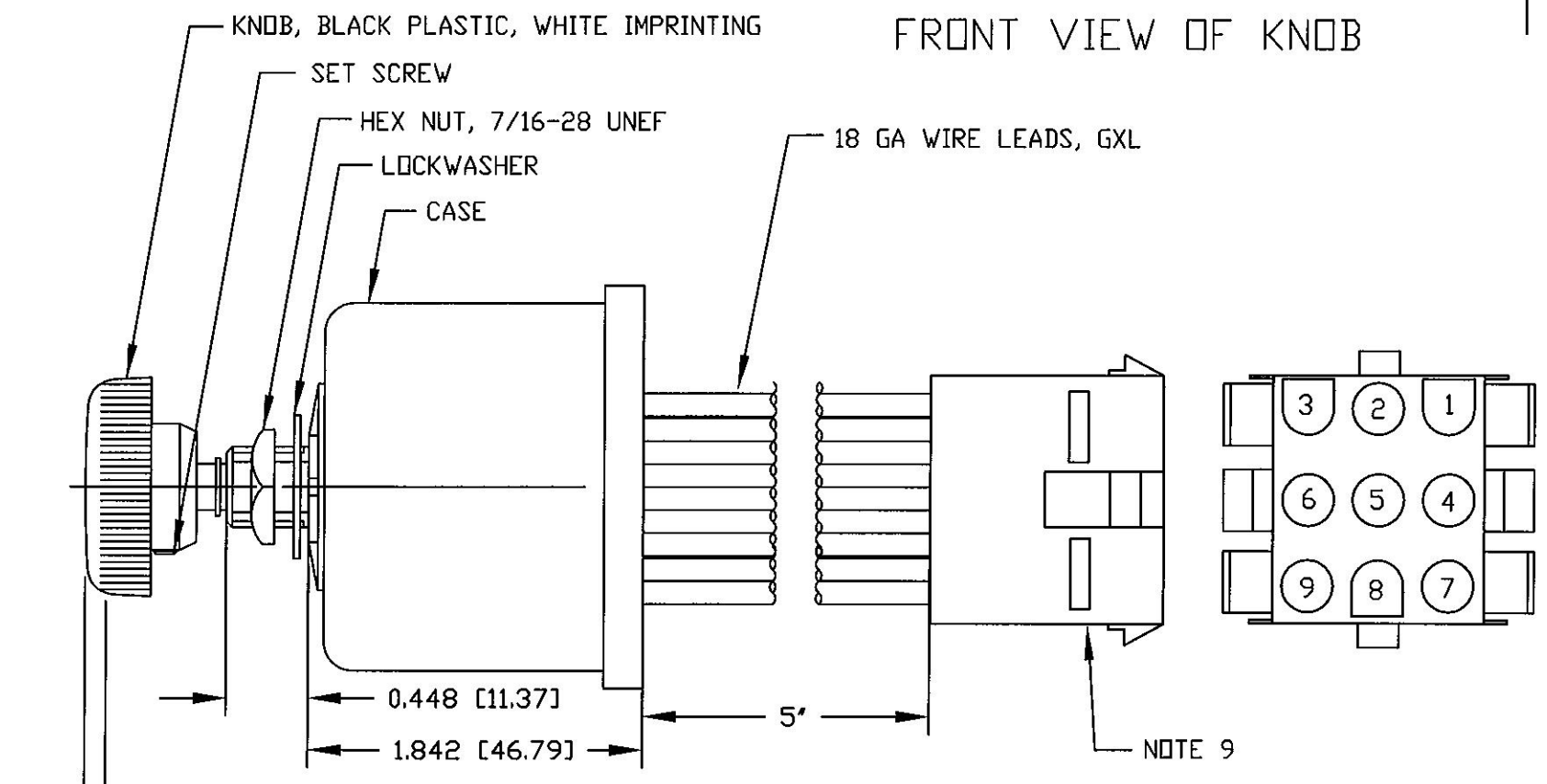
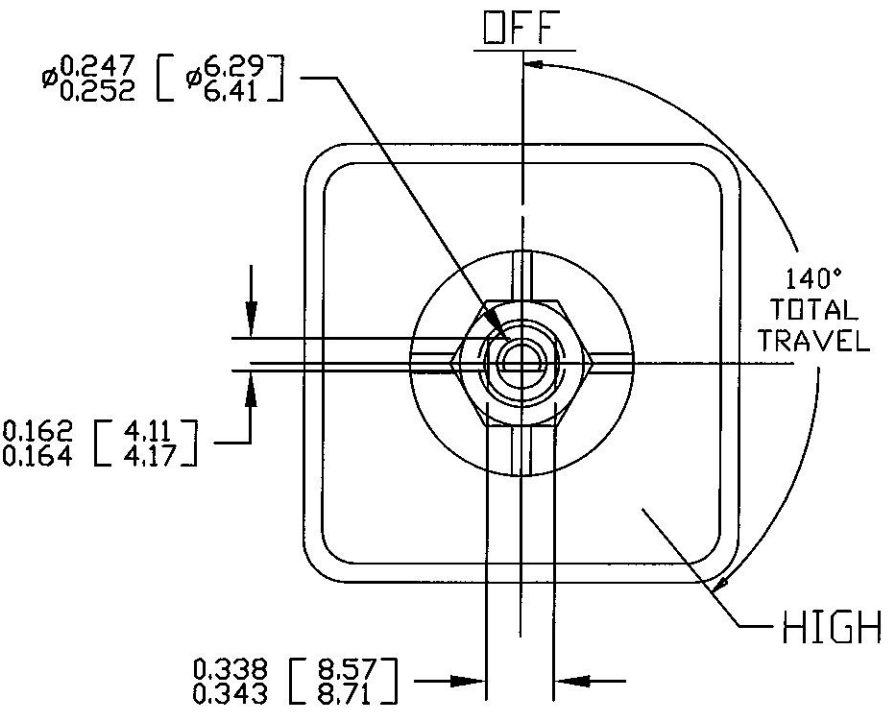


Revision Control Record			
Rev.	Description of Change	ECN No.	Date
A	NEW RELEASE	07043	02/15/07
B	BOM CHANGE	09587	01/13/10



- NOTES:**
- DESIGNED FOR 12V SYSTEM, DUAL MOTOR, DYNAMIC AND NON-DYNAMIC PARK. TO BE USED WITH PERMANENT MAGNET MOTOR, NEGATIVE GROUND ONLY.
  - PUSH TO WASH FUNCTION: RESULTS IN 2 TO 3 WIPES AFTER RELEASE OF PUSH SWITCH.
  - RATING: VOLTAGE OPERATING RANGE 9VDC TO 16VDC  
ROTARY SWITCH ACTUATION 20,000 CYCLES MINIMUM.  
MOTOR DRIVE: 10 AMPS PER MOTOR CONTINUOUS. START-UP/STALL/LOCKED-ROTOR 30 AMPS. SHORT-CIRCUIT PROOF.  
WASHER CIRCUIT 3 AMPS, PUSH SWITCH 20,000 CYCLES MINIMUM.
  - MICROPROCESSOR CONTROLLED, SOLID-STATE RELAY, CURRENT LIMIT SENSE CIRCUIT, REVERSE POLARITY PROTECTED
  - CONFORMS TO SAE J1455:  
4.11 GENERAL HEAVY DUTY TRUCK ELECTRICAL ENVIRONMENT.  
4.11.1 STEADY-STATE ELECTRICAL CHARACTERISTICS.  
4.11.2 TRANSIENT, NOISE AND ELECTROSTATIC CHARACTERISTICS.
  - ENVIRONMENTAL EXTREMES BY LOCATION.  
5.2 INTERIOR-FORWARD.
  - INTERMITTENT DELAYS: 1, 2, 4, 7, 11, AND 16 SECONDS
  - ALL DIMENSIONS ARE REFERENCE ONLY UNLESS NOTED OTHERWISE.
  - COLE HERSEE PART NUMBER, REVISION, & DATE CODE STAMPED IN WHITE.
  - CONNECTOR: AMP 1-480707-0; TERMINALS, FEMALE: AMP 350536-1 (QTY 9)

COLOR	CONNECT WIRE TO:	TERMINAL
RED	VBB (12V POWER)	1
BLACK	GROUND (0V)	2
BLUE	PARK MOTOR #1	3
WHITE	HIGH-SPEED MOTOR#1	4
BROWN	WASHER	5
GREY	HIGH-SPEED MOTOR #2	6
PURPLE	PARK MOTOR #2	7
YELLOW	LOW-SPEED MOTOR #1	8
ORANGE	LOW-SPEED MOTOR #2	9

**Tolerances** Unless otherwise specifically noted, the following are default tolerances:  
 \* 2-place Decimal Dimensions +/- .02"  
 \* 3-place Decimal Dimensions +/- .005"  
 \* Angular Dimensions +/- 1.0 Deg.  
 \* Metric: Refer to equivalent English Dimension Tolerance  
 >>> NOTE: All tolerances are Non-Cumulative. <<<

**Dimensional Units** All dimensions are expressed in inches except those shown in brackets (xxx) are expressed in millimeters

**"REF." or an Asterisk (\*)** = Non-Toleranced Reference Dimension, shown for clarification purposes only.

**PROPRIETARY INFORMATION** This Engineering Drawing, and the information contained herein, is proprietary to Cole Hersee Company and may not be disclosed, re-produced, or in any other way transferred or communicated to any other party without the express written consent of an authorized representative of Cole Hersee Company.

**DESIGN CONTROL** It is the responsibility of the individual using / referencing this drawing to assure that the noted design revision level agrees with the revision level of the Controlled Document (Master Drawing). This is a NON-CONTROLLED DOCUMENT unless otherwise specifically noted.

**DO NOT SCALE** - Dimensional variation may occur during printing / reproduction.

**Special Characteristics:**

- CC Critical Characteristic, relating to Safety and/or Regulatory Compliance
- X Significant Characteristic relating to Process Control (SPC)
- KC Control Dimension relating to Form - Fit - Function as defined by Cole Hersee Company and/or the Customer

(Note that the Identification of any Characteristics as being "Special" does not alter the requirement that ALL specified dimensions & tolerances must be met.)

**Cole Hersee Co.**  
 20 Old Colony Ave., South Boston, MA, 02127  
 Phn: 617-268-2100 Web: www.colehersee.com

**Description:** WINDSHIELD WIPER CONTROLLER, DUAL-MOTOR, 12V, SYNCHRONIZED, SSR

**Drawing / Part No.:** 75603-09

**Current Rev.:** B

Used On or Ref.: EX28331 / CI Scale: 1:1 Drawn By: JCS Date Drawn: 12/18/06 Responsible Engineer: JCS Pg. 1