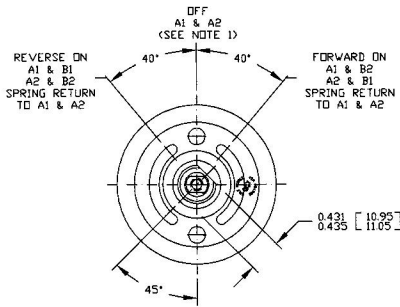
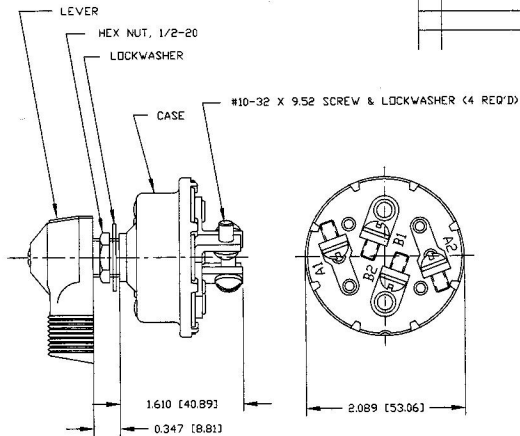


Revision Control Record			
Rev.	Description of Change	ECN No.	Date
B	ADDED CH LOGO	D1462	8/7/01



VIEW LESS LEVER & HARDWARE



NOTES:

1. ALL STEEL PARTS PLATED
2. ALL DIMENSIONS ARE REF. ONLY UNLESS NOTED OTHERWISE
3. A1 & A2 CIRCUITS MUST BREAK BEFORE ANOTHER CIRCUIT MAKES
4. SILVER LAMINATED CONTACT SURFACES
5. ALL HARDWARE TO BE ASSEMBLED

**Tolerances:** Unless otherwise specifically called, the following are default tolerances:  
 \* Linear Dimensional Dimensional  $\pm .005$   
 \* Surface Dimensional Dimensional  $\pm .005$   
 \* Angular Dimensional  $\pm 1.5$  Deg  
 \* Metric: Refer to equivalent English Dimensional Tolerance  
 \*\*\* NOTE: All tolerances are  $\pm$  unless otherwise specified.  
**Dimensional Callouts:** All dimensions are expressed in inches unless those shown in brackets ( ) are expressed in millimeters.  
**3D Model:** An Autodesk PLM 360 Model is available for reference only.  
 Used On: EX78712-02 REF  
 or Ref: 8207998

**PROPERTY:** This Engineering Drawing, and the information contained herein, is the property of Cole Hersee Company and may not be disclosed, reproduced, or in any way transmitted or communicated to any other party without the express written consent of an authorized representative of Cole Hersee Company.  
**DESIGN CONTROL:** It is the responsibility of the individual using this drawing to ensure that the latest design revision is used and that the revision level of the Controlled Document (Master Drawing) is a fully controlled and controlled when otherwise specified.  
 DO NOT SCALE - Dimensional values may occur during printing/ reproduction.  
 Drawn By: SAM  
 Date: 6/22/99

**Key for Special Characteristics:**  
 \* Critical Characteristics: relating to Safety and/or Regulatory Compliance  
 X Significant Characteristics: relating to Process Control (PCC)  
 \* Control Dimensions: relating to Form - Fit - Function as defined by Cole Hersee Company and/or the Customer.  
 Note that the identification of any characteristic as being "Special" does not alter the requirement that ALL special characteristics & tolerances must be met.  
 Responsible: N/A  
 Engineer: Pg. 1 of 1

**Cole Hersee Co.**  
 20 Old Colony Ave., South Boston, MA, 02127  
 Phone: 617-258-2100 Web: www.colehersee.com

**Description:** SW, ROTARY SP05

**Drawing/Part No.:** 75712-04

**Current Rev.:** B