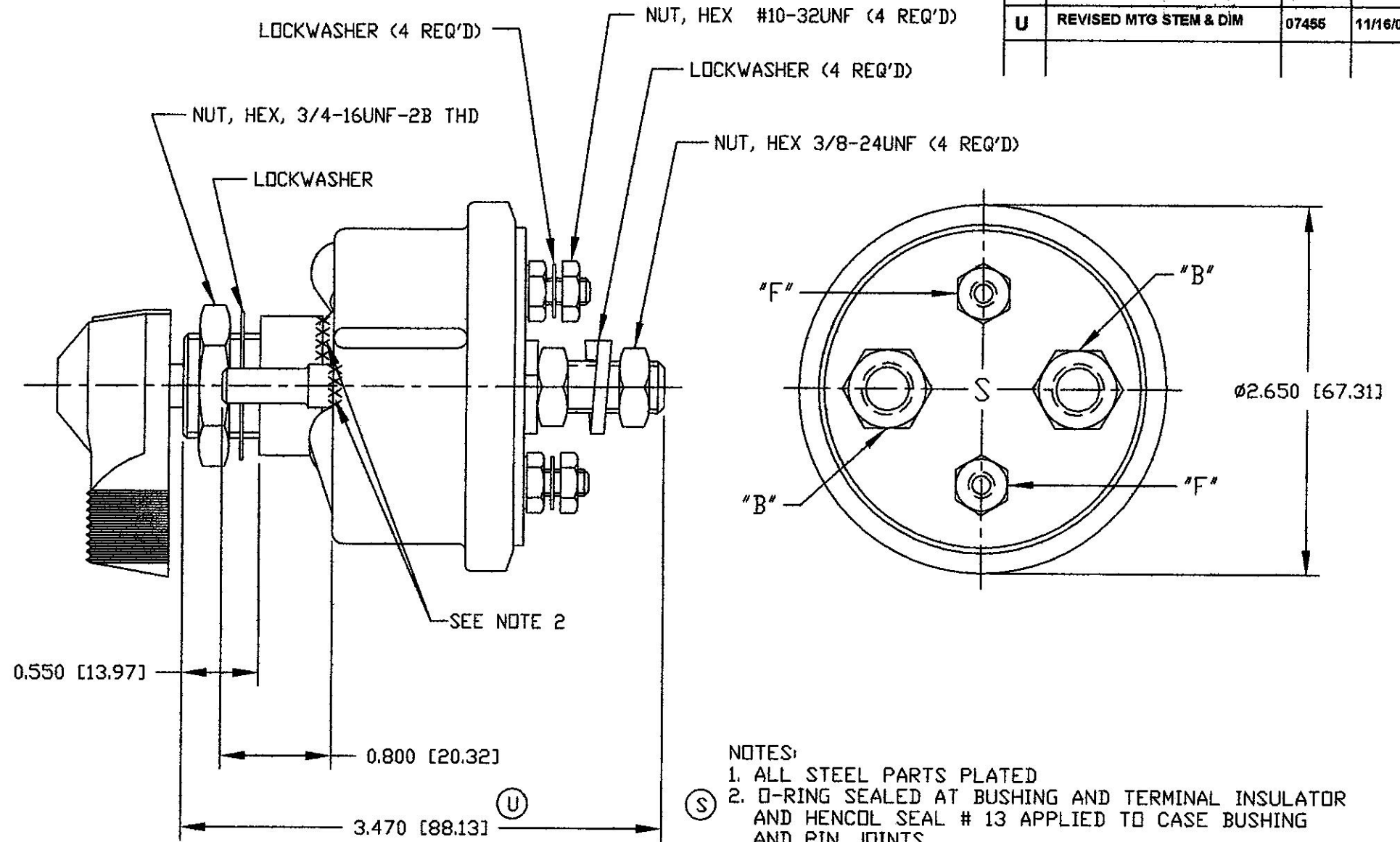
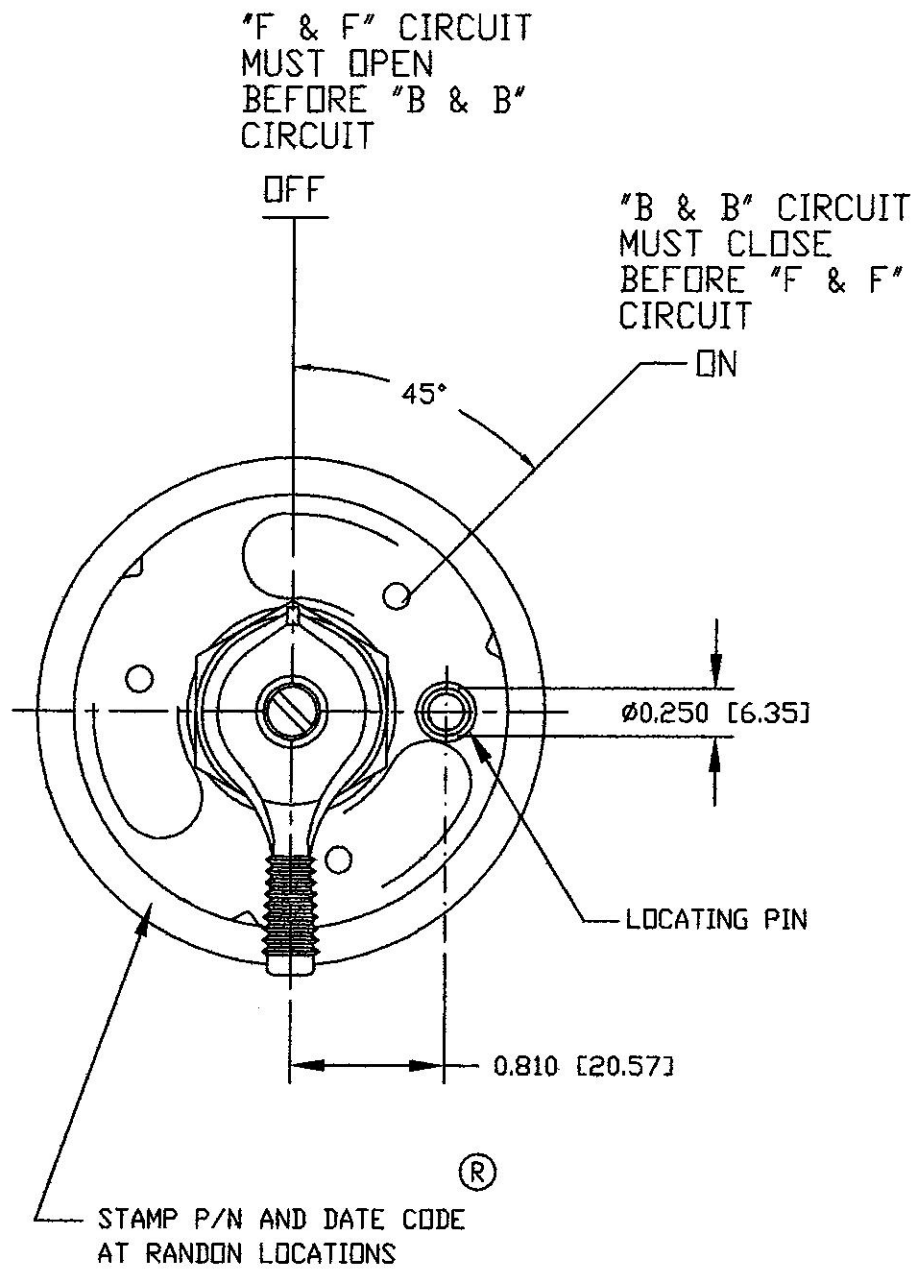


Revision Control Record

Rev.	Description of Change	ECN No.	Date
R	ADDED NOTE WITH STAMP LOCATION	02168	4/04/02
S	REVISED NOTES	05142	3/21/05
T	REVISED RATING	05199	05/10/05
U	REVISED MTG STEM & DIM	07455	11/16/07



- NOTES:
1. ALL STEEL PARTS PLATED
 2. O-RING SEALED AT BUSHING AND TERMINAL INSULATOR AND HENCOL SEAL # 13 APPLIED TO CASE BUSHING AND PIN JOINTS
 3. SILVER CONTACTS
 4. ALL DIMENSIONS REFERENCE
 5. FOR USE WITH ALTERNATOR OR GENERATOR SYSTEMS
 6. SWITCH DESIGN TO MEET SAE J1455.4.4.3

RATINGS:
 CONTINUOUS RATING:
 6-12-24-36 VOLTS DC,
 LARGE STUDS ('B' TERMINALS): 175 AMPS (T)
 SMALL STUDS ('F' TERMINALS): 20 AMPS

INTERMITTENT RATING:
 6-12-24-36 VOLTS DC,
 LARGE STUDS ('B' TERMINALS): 1000 AMPS (T)
 15 SEC 'ON', 5 MIN 'OFF'

TOLERANCES - Unless otherwise specifically noted, the following are default tolerances:
 * 2-place Decimal Dimensions $\pm .02$
 * 3-place Decimal Dimensions $\pm .005$
 * Angular Dimensions ± 1.0 Deg.
 * Metric: Refer to equivalent English Dimension Tolerance
 >>> NOTE: All tolerances are Non-Cumulative. <<<

Dimensional Units - All dimensions are expressed in inches except those shown in brackets (x.xx) are expressed in millimeters

PROPRIETARY INFORMATION - This Engineering Drawing, and the information contained herein, is proprietary to Cole Hersee Company and may not be disclosed, reproduced, or in any other way transferred or communicated to any other party without the express written consent of an authorized representative of Cole Hersee Company.

DESIGN CONTROL - It is the responsibility of the individual using/referencing this drawing to ensure that the noted design revision level agrees with the revision level of the Controlled Document (Master Drawing). This is a NON-CONTROLLED DOCUMENT unless otherwise specifically noted.

DO NOT SCALE - Dimensional variation may occur during printing/reproduction.

Used On or Ref: Scale: **1:1** Drawn By: **JK** Date Drawn: **3/28/88**

Key for Special Characteristics:

- CC Critical Characteristic, relating to Safety and/or Regulatory Compliance
- X Significant Characteristic relating to Process Control (SPC)
- CD Control Dimension relating to Form - Fit - Function as defined by Cole Hersee Company and/or the Customer

(Note that the identification of any Characteristics as being "Special" does not alter the requirement that ALL specified dimensions & tolerances must be met.)

Responsible Engineer: Pg. 1 of 1

Cole Hersee Co.
 20 Old Colony Ave., South Boston, MA, 02127
 Phone: 617-268-2100 Web: www.colehersee.com

Description: **SW, MASTER DISCONNECT**

Drawing / Part No.: **75904-01** Current Rev.: **U**