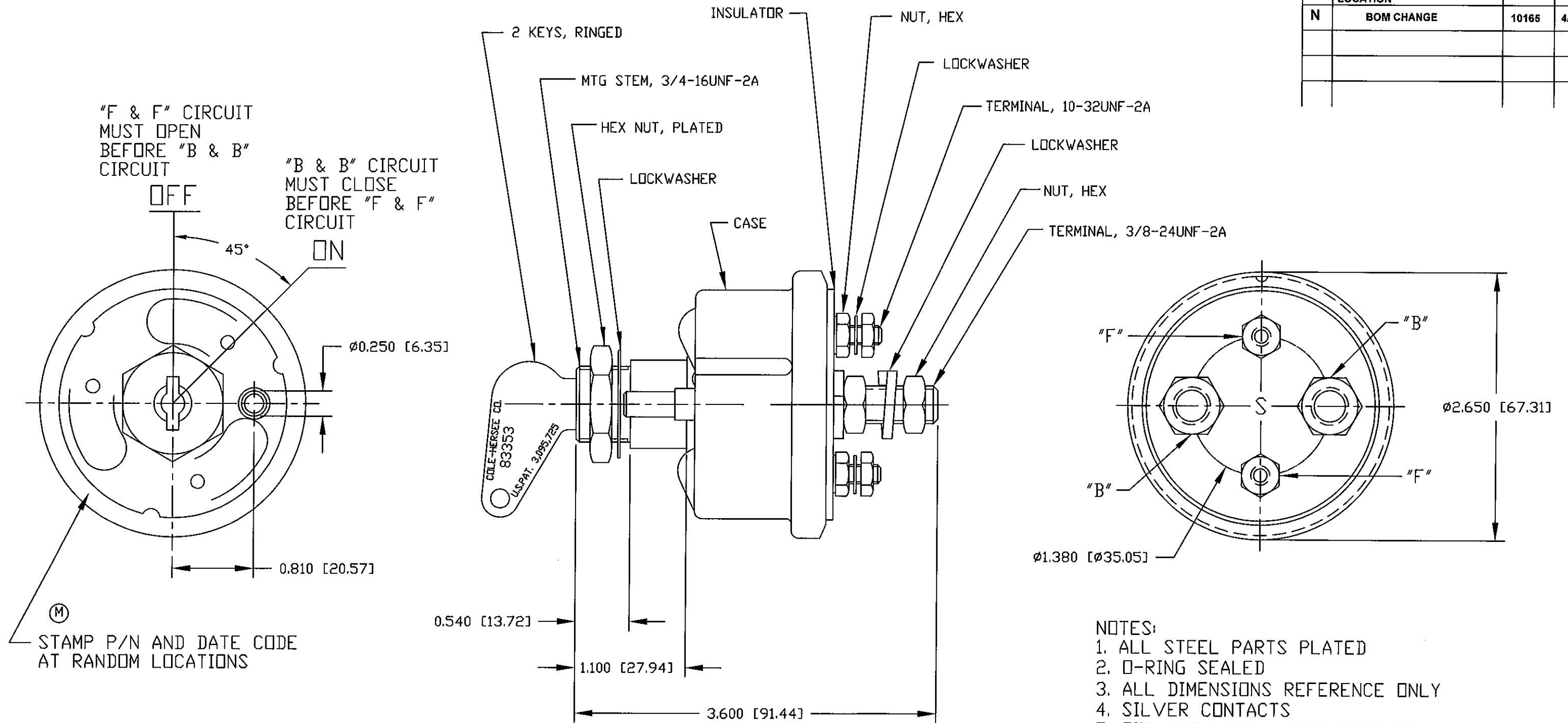


**Revision Control Record**

Rev.	Description of Change	ECN No.	Date
M	ADDED NOTE WITH STAMP LOCATION	02168	4/05/02
N	BOM CHANGE	10165	4/30/10



- NOTES:
1. ALL STEEL PARTS PLATED
  2. O-RING SEALED
  3. ALL DIMENSIONS REFERENCE ONLY
  4. SILVER CONTACTS
  5. FOR USE WITH ALTERNATOR OR GENERATOR SYSTEMS

**Tolerances** Unless otherwise specifically noted, the following are default tolerances:  
 \* 2-place Decimal Dimensions +/- .02"  
 \* 3-place Decimal Dimensions +/- .005"  
 \* Angular Dimensions +/- 1.0 Deg.  
 \* Metric: Refer to equivalent English Dimension Tolerance  
 >>> NOTE: All tolerances are Non-Cumulative. <<<

**Dimensional Units** All dimensions are expressed in inches except those shown in brackets (xxx) are expressed in millimeters

**"REF." or an Asterisk (\*)** = Non-Toleranced Reference Dimension, shown for clarification purposes only.

Used On: 75904 EXCEPT WITH  
 or Ref.: HENCOL KEY & O-RING

Scale: **1:1**

**PROPRIETARY INFORMATION** This Engineering Drawing, and the information contained herein, is proprietary to Cole Hersee Company and may not be disclosed, re-produced, or in any other way transferred or communicated to any other party without the express written consent of an authorized representative of Cole Hersee Company.

**DESIGN CONTROL** It is the responsibility of the individual using/referencing this drawing to assure that the noted design revision level agrees with the revision level of the Controlled Document (Master Drawing). This is a NON-CONTROLLED DOCUMENT unless otherwise specifically noted.

DO NOT SCALE - Dimensional variation may occur during printing/reproduction.

Drawn By: **CF**  
 Date Drawn: **6/27/69**

**Key for Special Characteristics:**

- Ⓢ Critical Characteristic, relating to Safety and/or Regulatory Compliance
- Ⓧ Significant Characteristic relating to Process Control (SPC)
- Ⓢ Control Dimension relating to Form - Fit - Function as defined by Cole Hersee Company and/or the Customer

(Note that the identification of any Characteristics as being "Special" does not alter the requirement that ALL specified dimensions & tolerances must be met.)

Responsible Engineer: \_\_\_\_\_ Pg. 1 of 1

**Cole Hersee Co.**  
 20 Old Colony Ave., South Boston, MA, 02127  
 Phn: 617-268-2100 Web: www.colehersee.com

**Description:** **SWITCH, MASTER DISCONNECT**

**Drawing / Part No.:** **75904-03**

**Current Rev.:** **N**