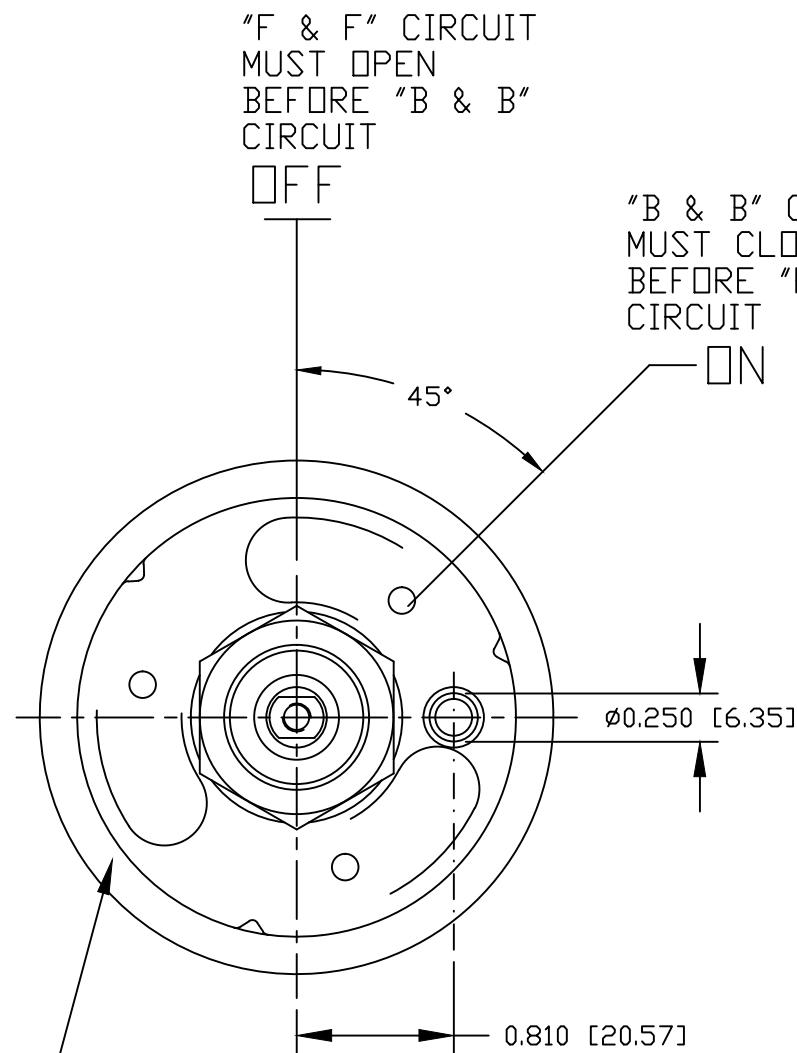


Revision Control Record

Rev.	Description of Change	ECN No.	Date
E	BOM CHANGE	10169	5/5/10
F	BOM CHANGE	13218	7/26/10
G	ADD DRAWING & BOM CHANGE	16410	9/14/16
H	ADD HEX NUT & UPDATE NOTES	17945	7/20/17



"F & F" CIRCUIT
MUST OPEN
BEFORE "B & B"
CIRCUIT

OFF

"B & B" CIRCUIT
MUST CLOSE
BEFORE "F & F"
CIRCUIT

ON

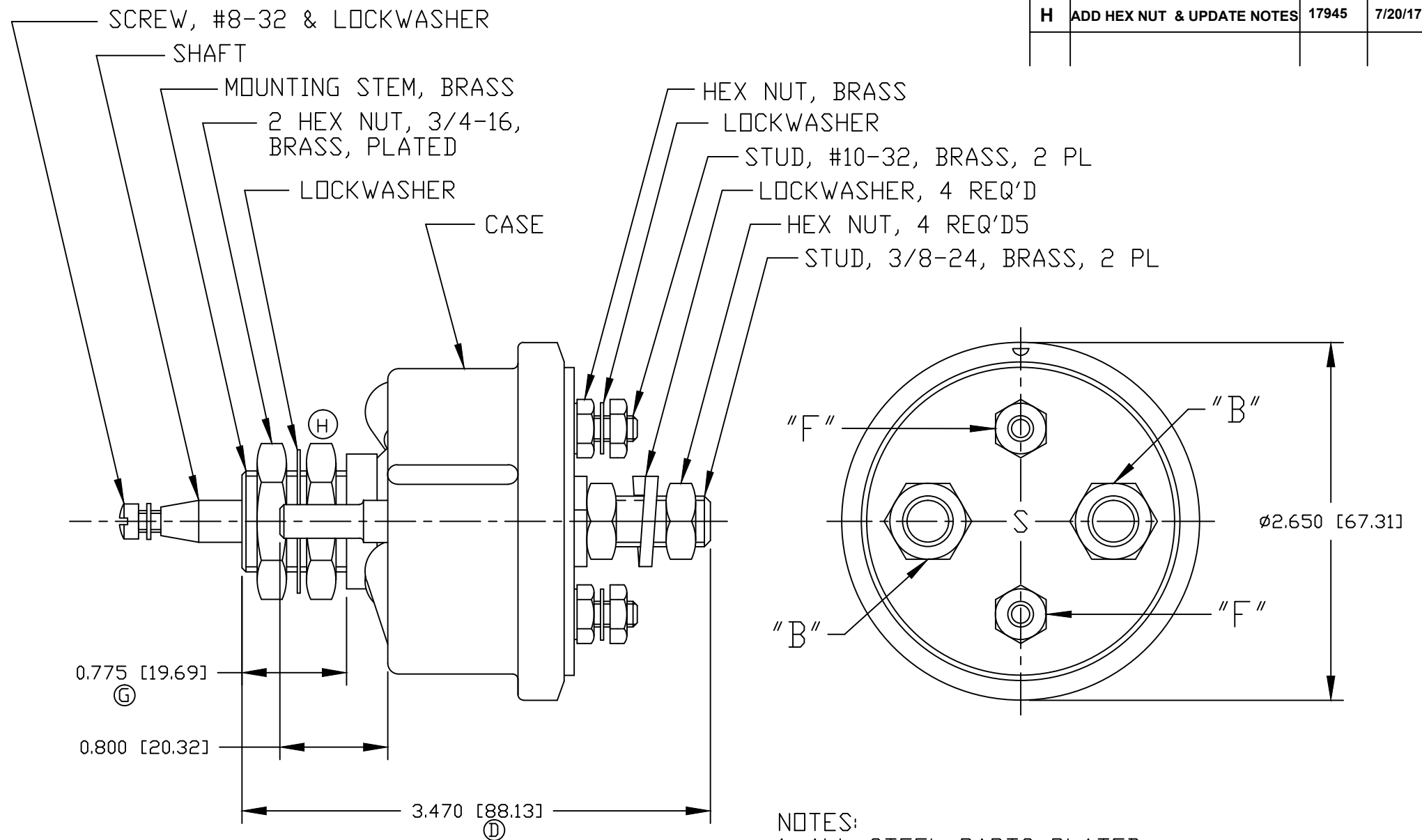
45°

Ø0.250 [6.35]

0.810 [20.57]

(A)

STAMP P/N AND DATE CODE
AT RANDOM LOCATIONS



SCREW, #8-32 & LOCKWASHER

SHAFT

MOUNTING STEM, BRASS

2 HEX NUT, 3/4-16,
BRASS, PLATED

LOCKWASHER

CASE

HEX NUT, BRASS

LOCKWASHER

STUD, #10-32, BRASS, 2 PL

LOCKWASHER, 4 REQ'D

HEX NUT, 4 REQ'D

STUD, 3/8-24, BRASS, 2 PL

0.775 [19.69]

0.800 [20.32]

3.470 [88.13]

Ø2.650 [67.31]

"F"

"B"

"B"

"F"

- NOTES:
1. ALL STEEL PARTS PLATED
 2. ALL DIMENSIONS REFERENCE
 3. SILVER CONTACT SURFACES
 4. ALL HARDWARE ASSEMBLED LOOSELY ON SWITCH

CONTINUOUS RATING:
6-12-24-36 VOLTS DC,
LARGE STUDS ("B" TERMINALS): 175 AMPS (B)
SMALL STUDS ("F" TERMINALS): 20 AMPS

INTERMITTENT RATING:
6-12-24-36 VOLTS DC,
LARGE STUDS ("B" TERMINALS): 1000 AMPS (B)
15 SEC "ON", 5 MIN "OFF"

<p>Tolerances Unless otherwise specifically noted, the following are default tolerances;</p> <ul style="list-style-type: none"> * 2-place Decimal Dimensions +/- .02" * 3-place Decimal Dimensions +/- .005" * Angular Dimensions +/- 1.0 Deg. * Metric: Refer to equivalent English Dimension Tolerance <p>>>> NOTE: All tolerances are Non-Cumulative. <<<</p> <p>Dimensional Units All dimensions are expressed in inches except those shown in brackets (xxx) are expressed in millimeters</p> <p>"REF." or an Asterisk (*) = Non-Toleranced Reference Dimension, shown for clarification purposes only.</p>	<p>Used On or Ref.: EX26806</p> <p>Scale: 1:1</p>
--	---

<p>PROPRIETARY INFORMATION This Engineering Drawing, and the information contained herein, is proprietary to Cole Hersee Company and may not be disclosed, re-produced, or in any other way transferred or communicated to any other party without the express written consent of an authorized representative of Cole Hersee Company.</p> <p>DESIGN CONTROL It is the responsibility of the individual using / referencing this drawing to assure that the noted design revision level agrees with the revision level of the Controlled Document (Master Drawing). This is a NON-CONTROLLED DOCUMENT unless otherwise specifically noted.</p> <p>DO NOT SCALE - Dimensional variation may occur during printing / reproduction.</p>	<p>Date: 3/4/98</p> <p>Drawn By: JMP</p>
--	--

<p>Key for Special Characteristics:</p> <ul style="list-style-type: none"> CC Critical Characteristic, relating to Safety and/or Regulatory Compliance X Significant Characteristic relating to Process Control (SPC) CD Control Dimension relating to Form - Fit - Function as defined by Cole Hersee Company and/or the Customer <p>(Note that the identification of any Characteristics as being "Special" does not alter the requirement that ALL specified dimensions & tolerances must be met.)</p>	<p>Responsible Engineer:</p> <p>Pg. 1 of 1</p>
---	--

<p>Cole Hersee Co. 20 Old Colony Ave., South Boston, MA, 02127 Phn: 617-268-2100 Web: www.colehersee.com</p>	<p>Description: SW, MASTER DISCONNECT</p>
<p>Drawing / Part No.: 75904-10</p>	<p>Current Rev.: H</p>