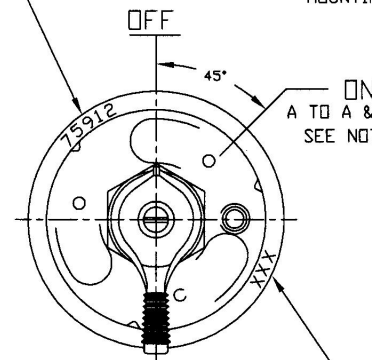


Revision Control Record

Rev.	Description of Change	ECN No.	Date
A	RELEASED	04337	09/22/04
B	WAS 48 VDC, WIRING INFO	06164	04/05/05

PART NUMBER LOCATED AT RANDOM



DATE CODE LOCATED AT RANDOM

MOUNTING STEM, 3/4-16

LEVER

ON
A TO A & B TO B
SEE NOTE 3

HEX NUT
LOCKWASHER

CASE

HEX NUT, 3/8-24, BRASS, 8 PLACES

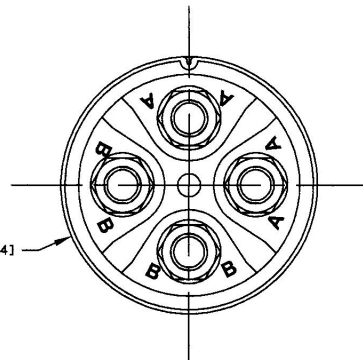
LOCKWASHER, 8 PLACES

STUD, 3/8-24, 4 PLACES

0.55 [13.97]

2.0 [50.21]

1.00 [25.40]



NOTES: (B)

- CONTACT RATING: 125 AMPS CONTINUOUS, 750 INTERMITTENT (15 SECONDS "ON", 5 MINUTES OFF) 12 TO 36 VDC (CARRY ONLY)
- SILVER CONTACT SURFACES
- A POLE AND B POLE ARE SEPARATE INSULATED POLES
- OPERATING TEMPERATURE RANGE: -40° C THROUGH +85° C
- O-RING SEAL @ MOUNTING STEM
- GASKET SEAL @ TERMINAL INSULATOR
- HENCOL SEAL @ CASE, MOUNTING STEM & LOCATING PIN
- MOUNTING TORQUE: 20 FT. LBS. (27 Nm)
- STUD TORQUE: 4.42-7.37 FT. LBS. (6-10 Nm)
- ALL STEEL PARTS ARE PLATED
- ALL DIMENSIONS ARE FOR REFERENCE ONLY
- COMPATIBLE WITH COLE HERSEY LOCKOUT KITS 24505 & -01, FACE PLATE P/N 82065-02 & CABLE TERMINALS P/N 3188

TOLERANCES Unless otherwise specifically noted, the following are default tolerances.

- * Unless Specified Dimensions: ± 0.005
- * Unless Specified Dimensions: ± 0.002
- * Angular Dimensioning: ± 0.5 Deg.
- * Metric: Refer to equivalent English Dimension Tolerance

*** NOTE: All tolerances are Non-Dimensional. ***

Dimensional Basis All dimensions are expressed in inches unless shown in brackets (mm) are expressed in millimeters

ASME Y14.5M or **ASME Y14.5** or Non-Tolerance Reference Dimensioning System for Dimensioning purposes only.

Used On: **EX27891**

Scale: **1:1**

PROPRIETARY INFORMATION This Engineering Drawing and the information contained herein is proprietary to Cole Hersey Company and may not be disclosed, reproduced, or in any other way transmitted or communicated to any other party without the express written consent of an authorized representative of Cole Hersey Company.

DESIGN CONTROL It is the responsibility of the individual using/interpreting this drawing to ensure that the exact design/revision level agrees with the revision level of the Controlled Document/plateau Drawing. This is a NON-CORRECTABLE PROCEDURE unless otherwise specifically noted.

DO NOT SCALE Dimensional relations may occur during printing/reproduction.

Drawn: **JJC**

Date Drawn: **08/31/04**

See for Special Characteristics:

Critical Characteristics relating to Safety and/or Regulatory Compliance

Significant Characteristics relating to Process Control (SPC)

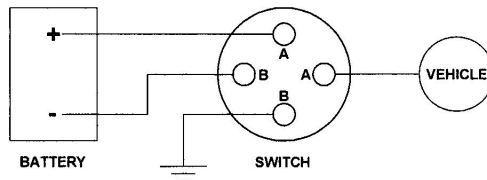
Control Dimension relating to Form - Fit - Function as defined by Cole Hersey Company and/or the Customer

(Note that the identification of any Characteristics as being "Special" does not alter the requirement that ALL specified dimensions & tolerances must be met.)

Responsible Engineer: **JJC**

Pg. 1 of 1

WIRING INFORMATION



(B)

Cole Hersey Co.

20 Old Colony Ave., South Boston, MA, 02127
Phone 617-366-2100 Web www.colehersey.com

Description:

SW, MASTER DISCONNECT DPST

Drawing/
Part No.

75912

Current Rev.

B