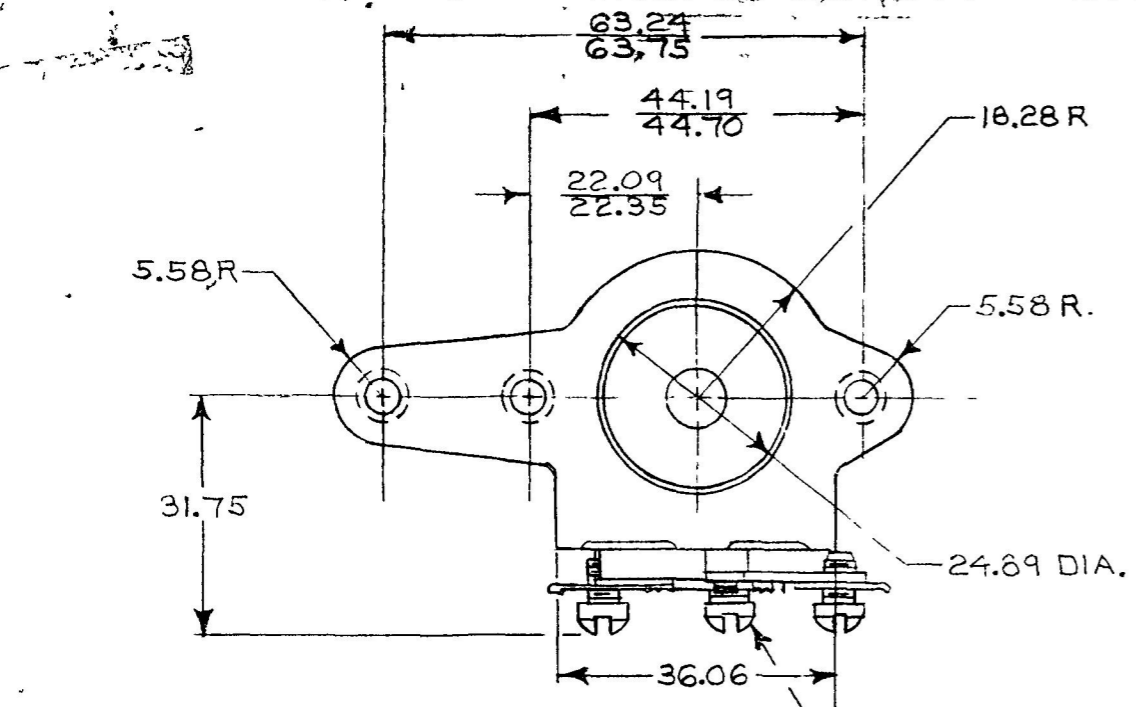
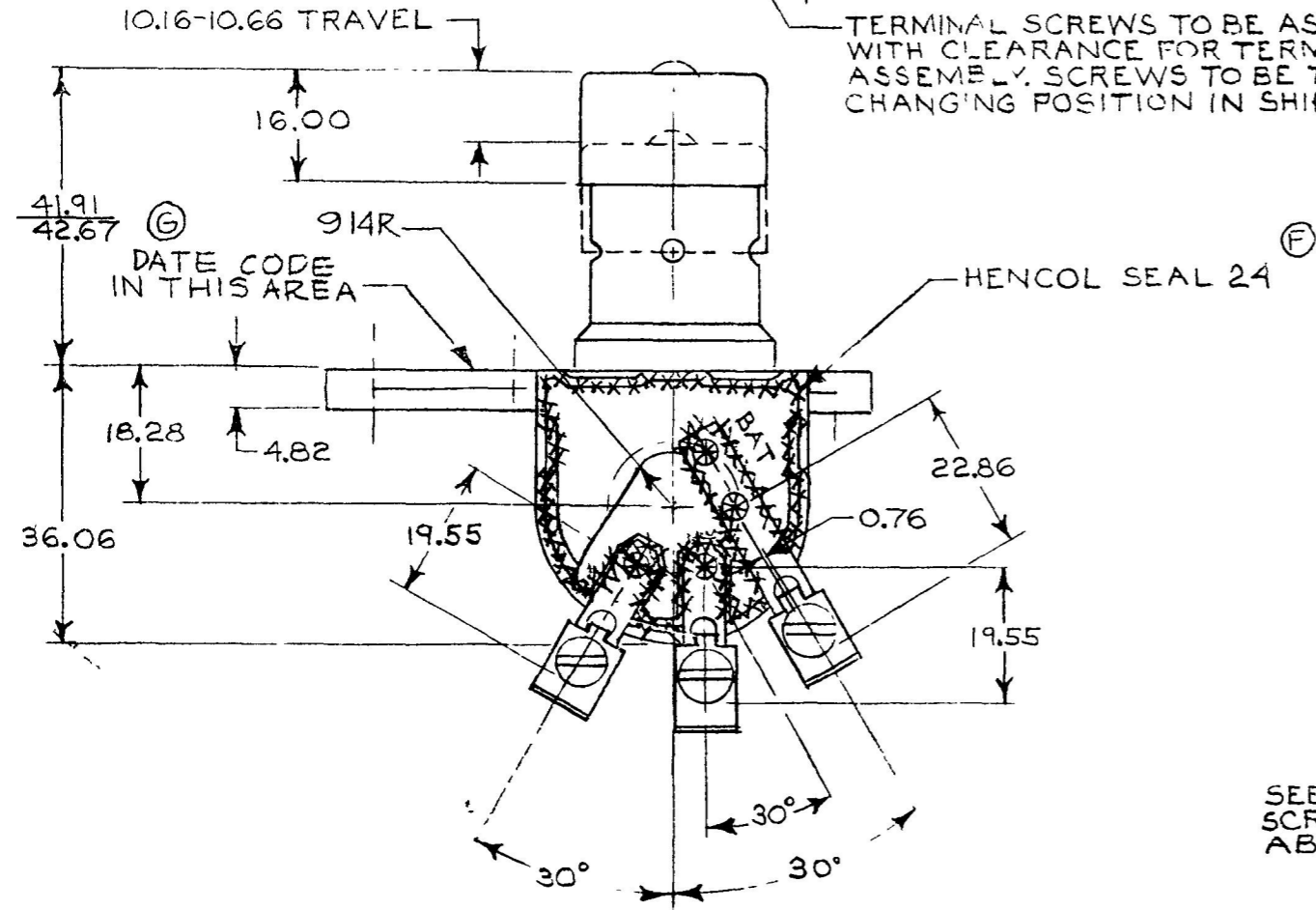


MM IN  
 16  
 4.32 170  
 4.82 190  
 5.58 220  
 9.14 360  
 10.16 400  
 10.66 420  
 16.00 630  
 18.28 720  
 19.55 770  
 22.09 870  
 22.35 880  
 22.86 900  
 24.89 980  
 26.79 1055  
 27.05 1065  
 31.75 1250  
 36.36 1420  
 41.91 1650  
 42.67 1680  
 44.19 1740  
 44.70 1760  
 63.24 2490  
 63.75 2510

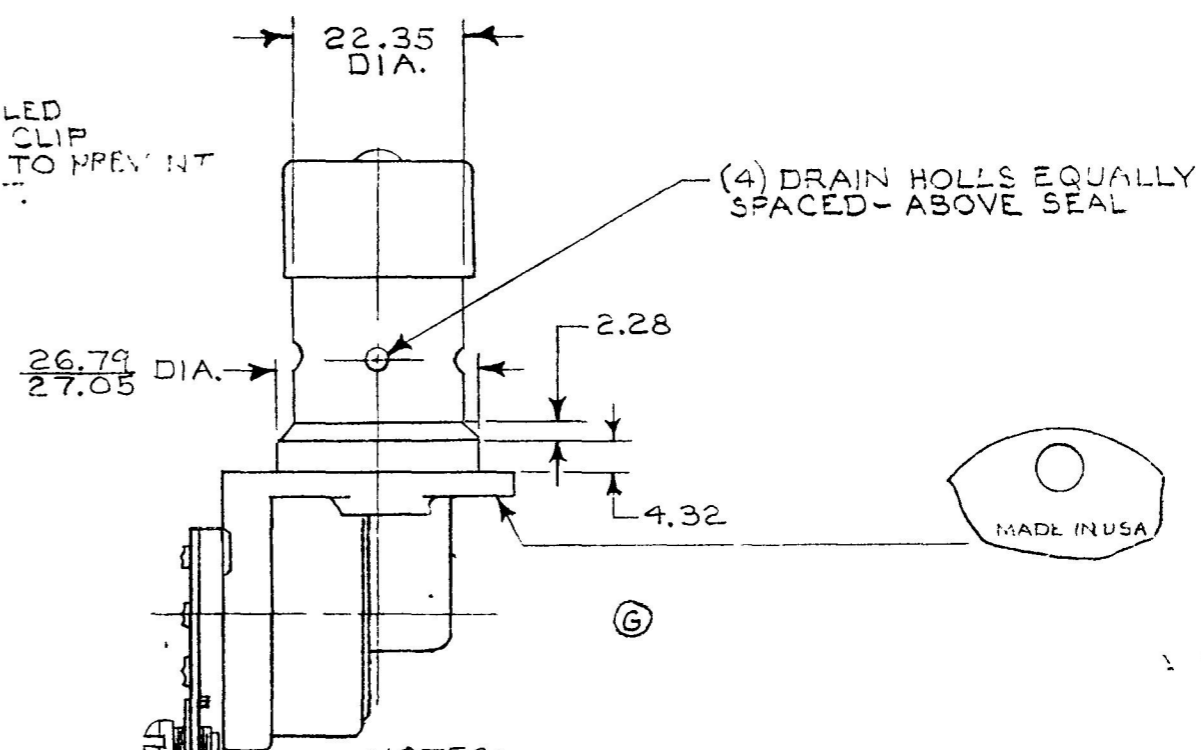
COLE-HERSEE CO.  
 NPM 6-6-77



CASE, ZINC DIE CAST, DICHROMATED  
 TERMINALS, STEEL, ZINC FLT.  
 BUTTON, STEEL, ZINC FLT.  
 CONTACTOR, COPPER CADMIUM



TERMINAL SCREWS TO BE ASSEMBLED WITH CLEARANCE FOR TERMINAL CLIP ASSEMBLY. SCREWS TO BE TIGHT TO PREVENT CHANGING POSITION IN SHIPMENT.



- NOTES:
1. EACH DOWNWARD STROKE OF THE PLUNGER SHIFTS BEAMS, SWITCH MUST CHANGE CIRCUIT FROM ONE TERMINAL TO THE OTHER WITHOUT LOSS OF LIGHT PERCEPTIBLE TO THE EYE.
  2. SWITCH TO WITHSTAND 6PSI EXTERNAL VACUUM FOR 30 MINUTES WITHOUT LEAKING, AS EVIDENCED BY ESCAPING BUBBLES.
  3. WEIGHT: APPROX. .16Kg, (.37LBS)
  4. ALL DIMENSIONS ARE FOR REFERENCE ONLY.

SEE TERMINAL SCREW NOTE ABOVE.

WATERPROOF

DO NOT SCALE

METRIC

LET	WAS	DATE	BY	LET	WAS	DATE	BY	MATERIAL	DRAWN	CHECKED	APPRVD	SCALE	DATE DRAWN
									RMT	TWA		1:1	4-5-77
								FINISH					DATE BLUEPRINT
								TOLERANCES	Cole Hersee Co. 30 OLD COLONY AVENUE, SOUTH BOSTON, MA, U.S.A. 02127				
								DECIM. METRIC					SWITCH, DIMMER