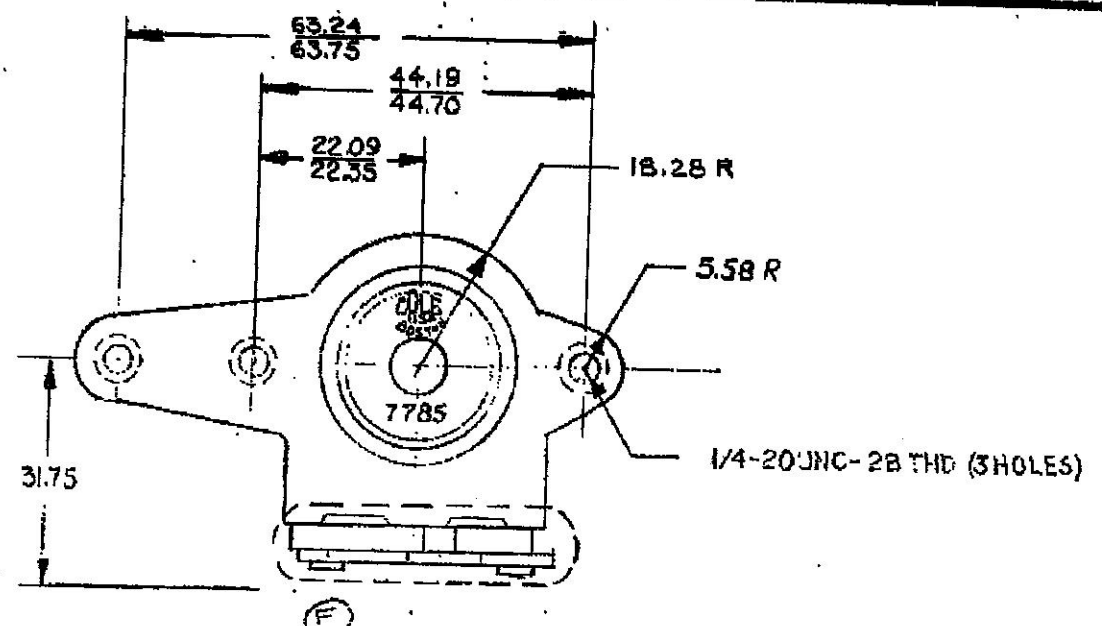


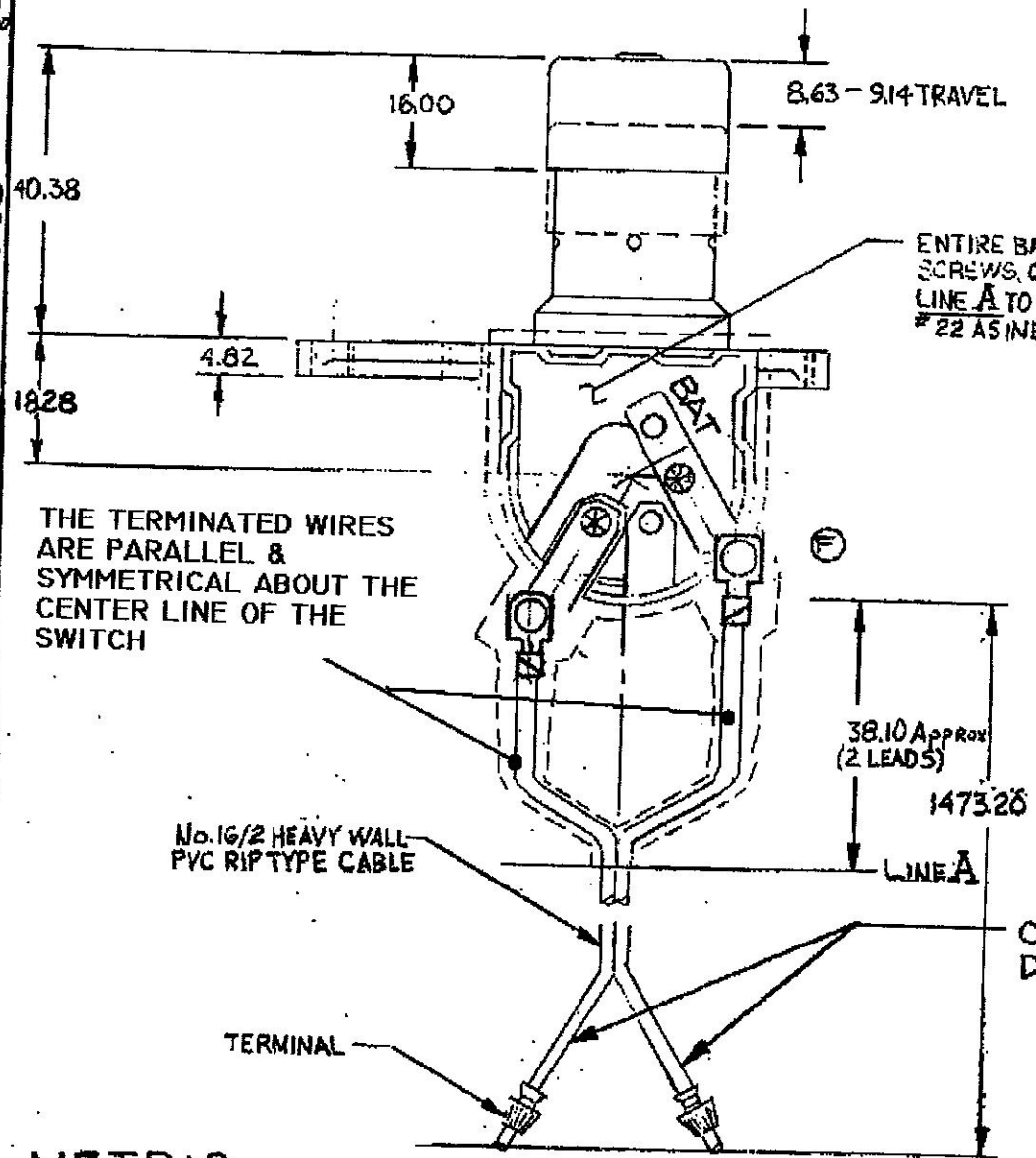
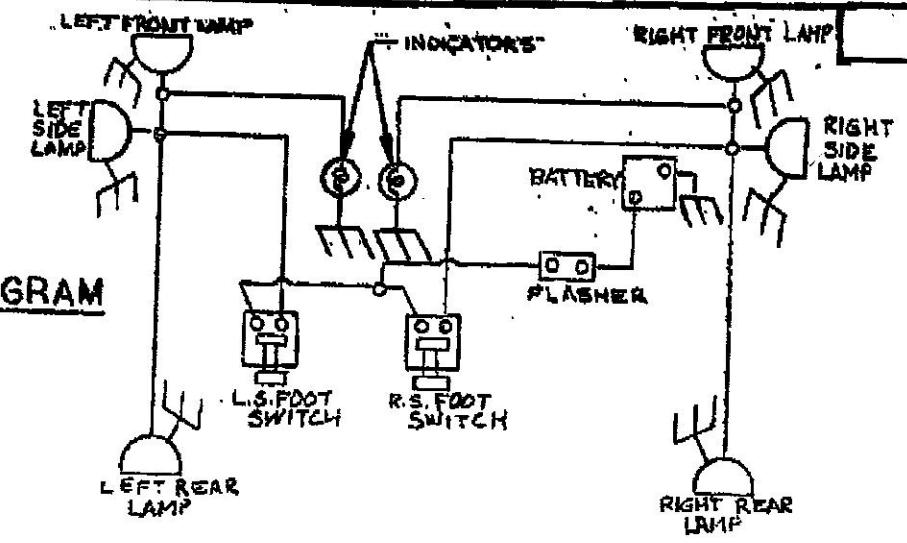
COLE-HERSEE CO

1.25	1.25
1.50	1.50
1.75	1.75
2.00	2.00
2.25	2.25
2.50	2.50
2.75	2.75
3.00	3.00
3.25	3.25
3.50	3.50
3.75	3.75
4.00	4.00
4.25	4.25
4.50	4.50
4.75	4.75
5.00	5.00
5.25	5.25
5.50	5.50
5.75	5.75
6.00	6.00
6.25	6.25
6.50	6.50
6.75	6.75
7.00	7.00
7.25	7.25
7.50	7.50
7.75	7.75
8.00	8.00
8.25	8.25
8.50	8.50
8.75	8.75
9.00	9.00
9.25	9.25
9.50	9.50
9.75	9.75
10.00	10.00
10.25	10.25
10.50	10.50
10.75	10.75
11.00	11.00
11.25	11.25
11.50	11.50
11.75	11.75
12.00	12.00
12.25	12.25
12.50	12.50
12.75	12.75
13.00	13.00
13.25	13.25
13.50	13.50
13.75	13.75
14.00	14.00
14.25	14.25
14.50	14.50
14.75	14.75
15.00	15.00
15.25	15.25
15.50	15.50
15.75	15.75
16.00	16.00
16.25	16.25
16.50	16.50
16.75	16.75
17.00	17.00
17.25	17.25
17.50	17.50
17.75	17.75
18.00	18.00
18.25	18.25
18.50	18.50
18.75	18.75
19.00	19.00
19.25	19.25
19.50	19.50
19.75	19.75
20.00	20.00
20.25	20.25
20.50	20.50
20.75	20.75
21.00	21.00
21.25	21.25
21.50	21.50
21.75	21.75
22.00	22.00
22.25	22.25
22.50	22.50
22.75	22.75
23.00	23.00
23.25	23.25
23.50	23.50
23.75	23.75
24.00	24.00
24.25	24.25
24.50	24.50
24.75	24.75
25.00	25.00
25.25	25.25
25.50	25.50
25.75	25.75
26.00	26.00
26.25	26.25
26.50	26.50
26.75	26.75
27.00	27.00
27.25	27.25
27.50	27.50
27.75	27.75
28.00	28.00
28.25	28.25
28.50	28.50
28.75	28.75
29.00	29.00
29.25	29.25
29.50	29.50
29.75	29.75
30.00	30.00
30.25	30.25
30.50	30.50
30.75	30.75
31.00	31.00
31.25	31.25
31.50	31.50
31.75	31.75
32.00	32.00
32.25	32.25
32.50	32.50
32.75	32.75
33.00	33.00
33.25	33.25
33.50	33.50
33.75	33.75
34.00	34.00
34.25	34.25
34.50	34.50
34.75	34.75
35.00	35.00
35.25	35.25
35.50	35.50
35.75	35.75
36.00	36.00
36.25	36.25
36.50	36.50
36.75	36.75
37.00	37.00
37.25	37.25
37.50	37.50
37.75	37.75
38.00	38.00
38.25	38.25
38.50	38.50
38.75	38.75
39.00	39.00
39.25	39.25
39.50	39.50
39.75	39.75
40.00	40.00
40.25	40.25
40.50	40.50
40.75	40.75
41.00	41.00
41.25	41.25
41.50	41.50
41.75	41.75
42.00	42.00
42.25	42.25
42.50	42.50
42.75	42.75
43.00	43.00
43.25	43.25
43.50	43.50
43.75	43.75
44.00	44.00
44.25	44.25
44.50	44.50
44.75	44.75
45.00	45.00
45.25	45.25
45.50	45.50
45.75	45.75
46.00	46.00
46.25	46.25
46.50	46.50
46.75	46.75
47.00	47.00
47.25	47.25
47.50	47.50
47.75	47.75
48.00	48.00
48.25	48.25
48.50	48.50
48.75	48.75
49.00	49.00
49.25	49.25
49.50	49.50
49.75	49.75
50.00	50.00

7785

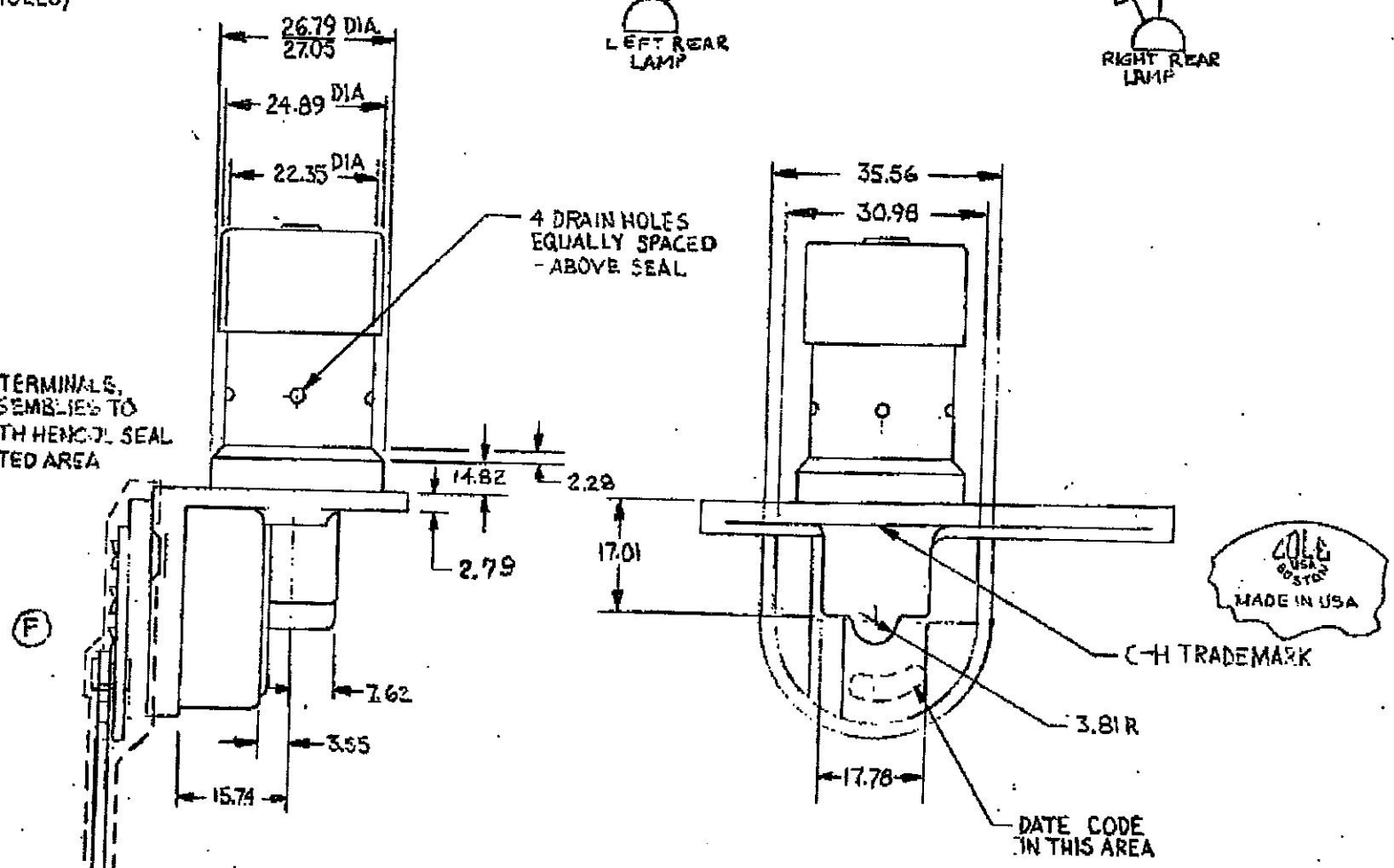


WIRING DIAGRAM



ENTIRE BACK OF SWITCH, TERMINALS, SCREWS, CLIPS & LEAD ASSEMBLIES TO LINE A TO BE COVERED WITH HENCOJL SEAL # 22 AS INDICATED BY DOTTED AREA

THE TERMINATED WIRES ARE PARALLEL & SYMMETRICAL ABOUT THE CENTER LINE OF THE SWITCH



SWITCH NORMALLY OPEN WEATHERPROOF

Confidential Property of Cole Hersee

METRIC

LET.	WAS.	DATE	BY	LET.	WAS.	DATE	BY	MATERIAL	DRAWN	CHECKED	APPROVED	SCALE	DO NOT SCALE
				J	ECN 06176	06/12/06	SM		RMT				DATE DRAWN 3-23-77
				H	ECN 02364	4/30/62	SM	FINISH					DATE BLUEPRINT
				G	ADD NOTE	5/16/69	SM						
				F	ECN 24209	11/16/69	RD	TOLERANCES DECIMAL ± METRIC .1					
				E	REDRAWN	10/18/66	RD						TURN SIGNAL SWITCH
												7785	

Cole Hersee Co.