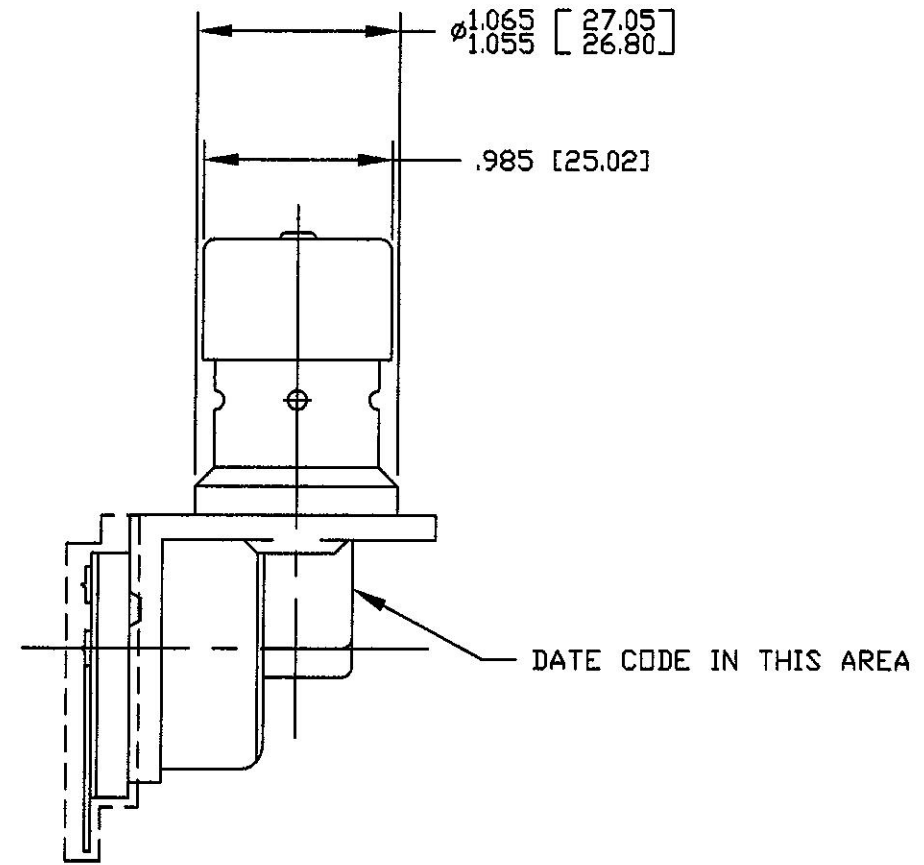
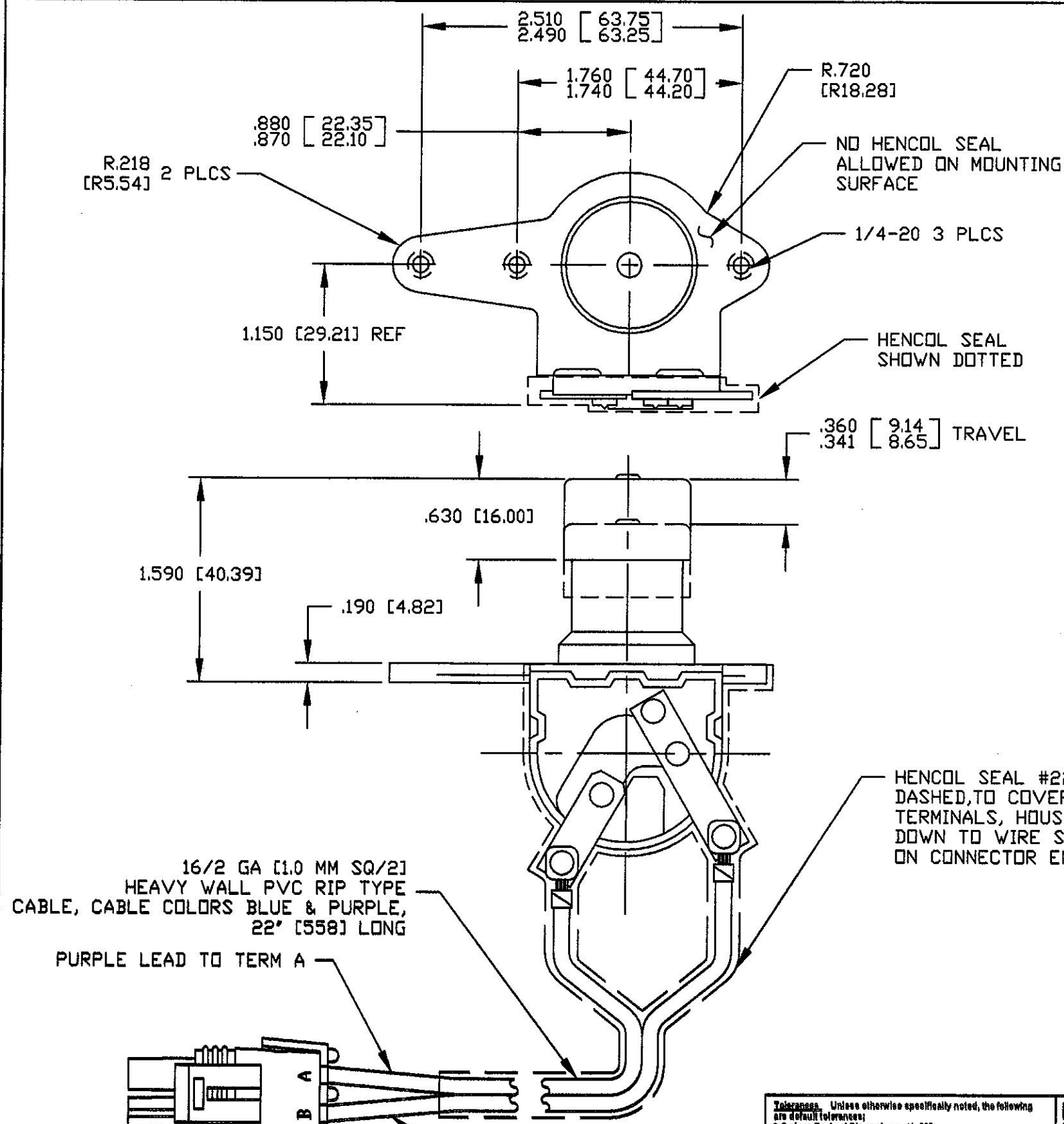
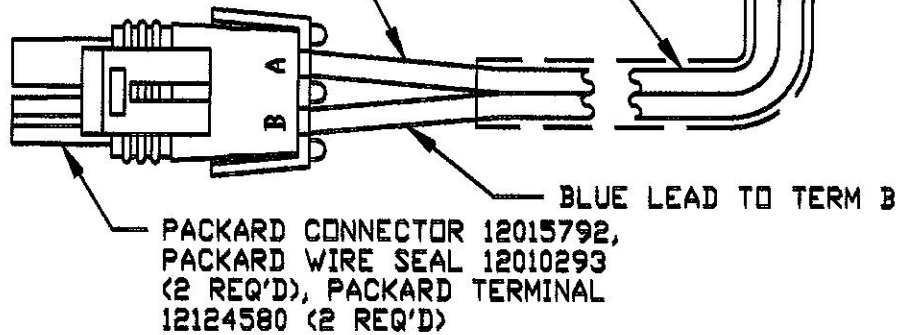


**Revision Control Record**

Rev.	Description of Change	ECN No.	Date
A	RELEASED DRAWING	07070	03/02/07



16/2 GA [1.0 MM SQ/2] HEAVY WALL PVC RIP TYPE CABLE, CABLE COLORS BLUE & PURPLE, 22' [558] LONG  
PURPLE LEAD TO TERM A



- NOTES:  
1. ALL DIMENSIONS ARE REFERENCE ONLY UNLESS NOTED OTHERWISE  
2. SWITCH IS NORMALLY OPEN

**Tolerances.** Unless otherwise specifically noted, the following are default tolerances:  
 \* 2-place Decimal Dimensions  $\pm$ .02"  
 \* 3-place Decimal Dimensions  $\pm$ .005"  
 \* Angular Dimensions  $\pm$ 1.0 Deg.  
 \* Metric: Refer to equivalent English Dimension Tolerance  
 >>> NOTE: All tolerances are Non-Cumulative. <<<

**Dimensional Units.** All dimensions are expressed in inches except those shown in brackets (xxx) are expressed in millimeters

**ASME Y14.5M-2009** - Non-Toleranced Reference Dimension, shown for clarification purposes only.

**PROPRIETARY INFORMATION.** This Engineering Drawing, and the information contained herein, is proprietary to Cole Hersee Company and may not be disclosed, re-produced, or in any other way transferred or communicated to any other party without the express written consent of an authorized representative of Cole Hersee Company.

**DESIGN CONTROL.** It is the responsibility of the individual using/forwarding this drawing to assure that the noted design revision level agrees with the revision level of the Controlled Document (Master Drawing). This is a NON-CONTROLLED DOCUMENT unless otherwise specifically noted.

**DO NOT SCALE.** Dimensional variation may occur during printing/reproduction.

**Special Characteristics:**

- Critical Characteristic, relating to Safety and/or Regulatory Compliance
- Significant Characteristic relating to Process Control (SPC)
- Control Dimension relating to Form - Fit - Function as defined by Cole Hersee Company and/or the Customer

(Note that the identification of any Characteristics as being "Special" does not alter the requirement that ALL specified dimensions & tolerances must be met.)

**Cole Hersee Co.**  
 20 Old Colony Ave., South Boston, MA, 02127  
 Phone 617-266-2100 Web: www.colehersee.com

**Description:**  
**SW, P-P, MOM, SPDT**

**Drawing/Part No.:** 7785-01