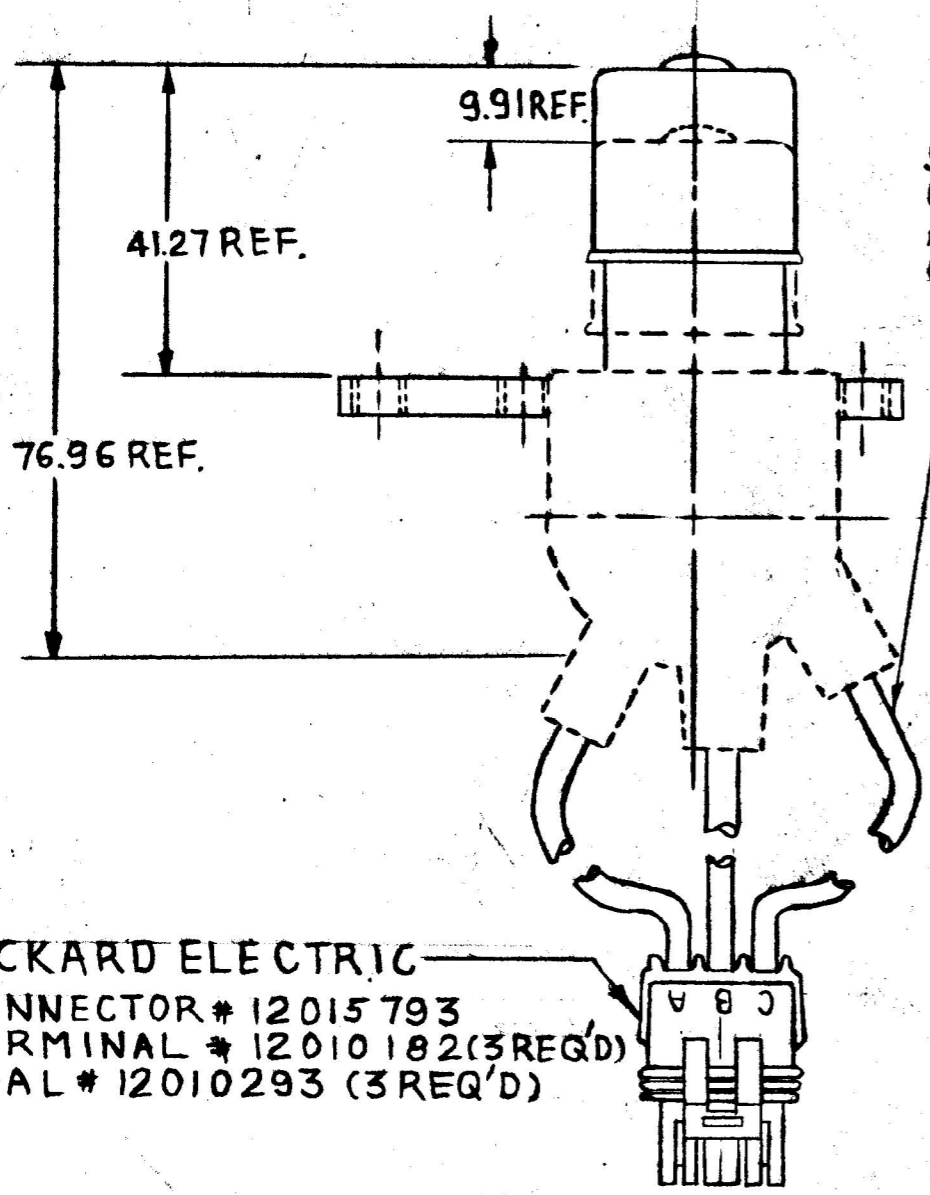
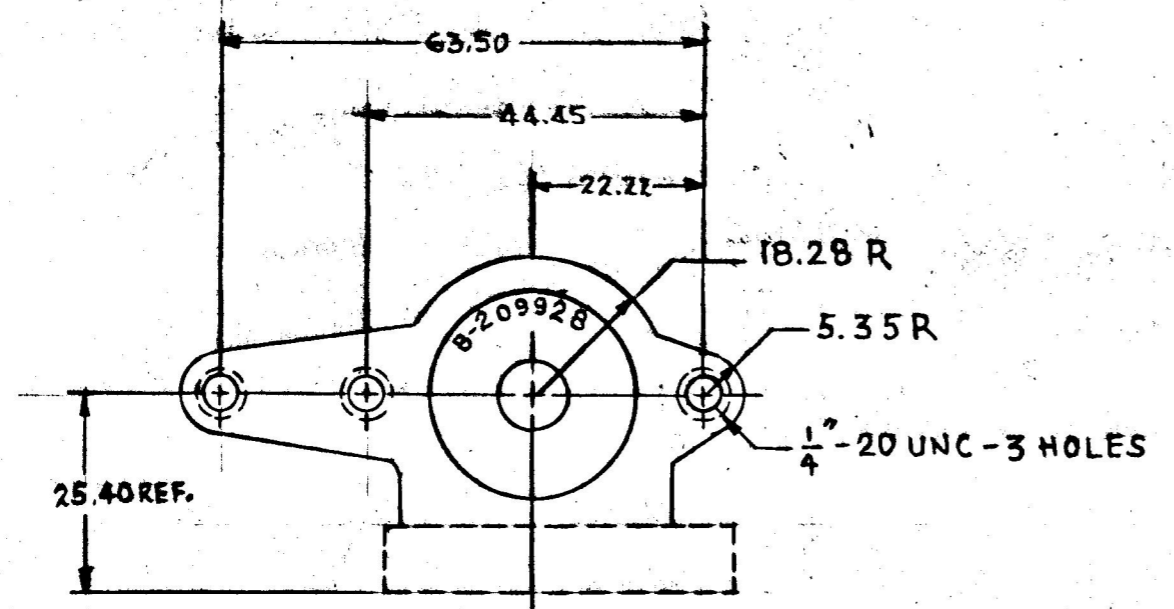
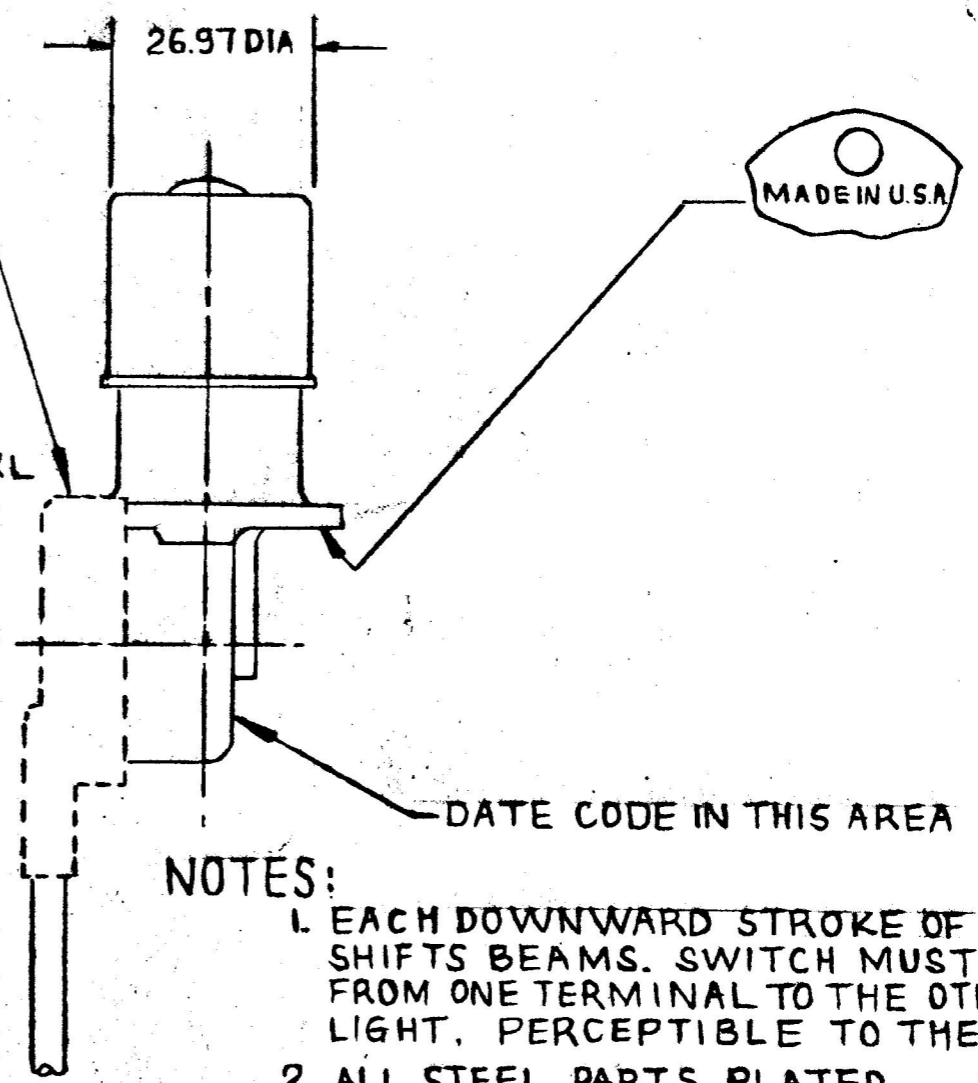


MM	IN
5.35	.211
9.91	.390
18.28	.759
22.72	.875
40.64	1.000
49.77	1.062
63.50	1.625
76.96	1.750
101.60	2.500
127.00	3.148
152.40	5.750



HENCOL SEAL # 12 SHOWN DOTTED. ALL COMPONENTS WITHIN AREAS SHOWN TO BE COMPLETELY COVERED.

WIRE LEADS 1.0 mm² GXL APPROX. 146.05 LONG (3 REQ'D) (A)



NOTES:

1. EACH DOWNWARD STROKE OF THE PLUNGER SHIFTS BEAMS. SWITCH MUST CHANGE CIRCUIT FROM ONE TERMINAL TO THE OTHER W/OUT LOSS OF LIGHT, PERCEPTIBLE TO THE EYE.
2. ALL STEEL PARTS PLATED.

PACKARD ELECTRIC
CONNECTOR # 12015793
TERMINAL # 12010182 (3 REQ'D)
SEAL # 12010293 (3 REQ'D)

DO NOT SCALE

LET.	WAS	DATE	BY	LET.	WAS	DATE	BY	MATERIAL	DRAWN	CHECKED	APPRV'D.	SCALE	DATE DRAWN
								---	BL	AF		---	4-2-90
								FINISH	 20 OLD COLONY AVENUE SOUTH BOSTON, MA. U.S.A. 02127				DATE BLUEPRINT

				A	ECN # 99041	2-10-99	MCS	TOLERANCES	DIMMER SWITCH				7786-01
					ISSUED	4-12-90	AF	DECIMAL ± METRIC ±					

METRIC

COLE-HERSEE CO.
EX 23896