

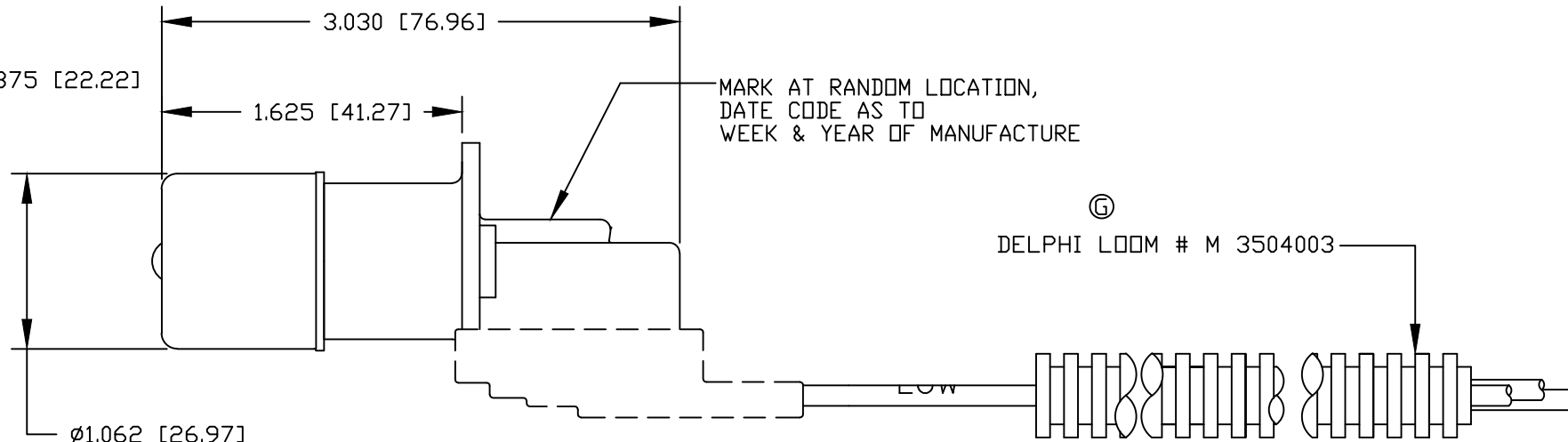
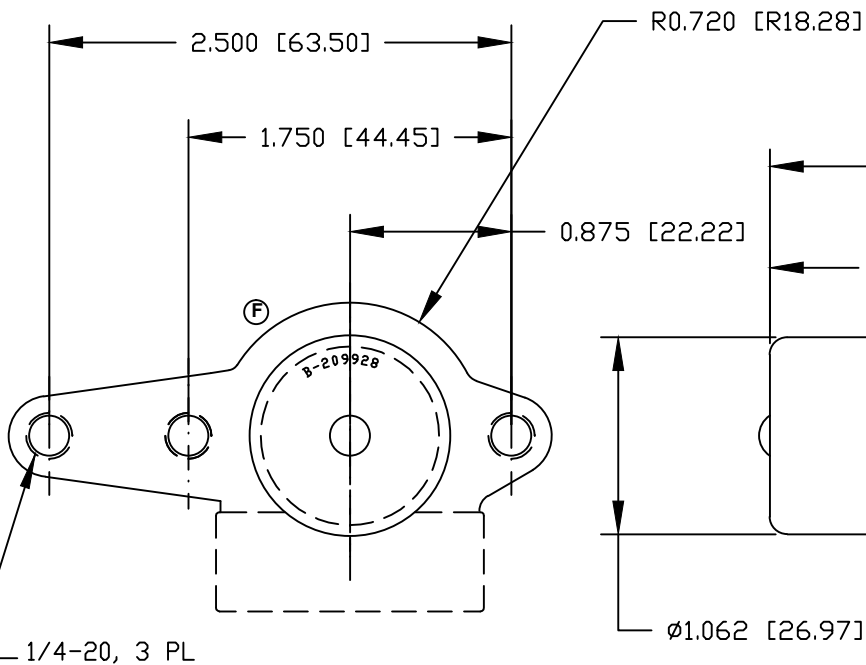
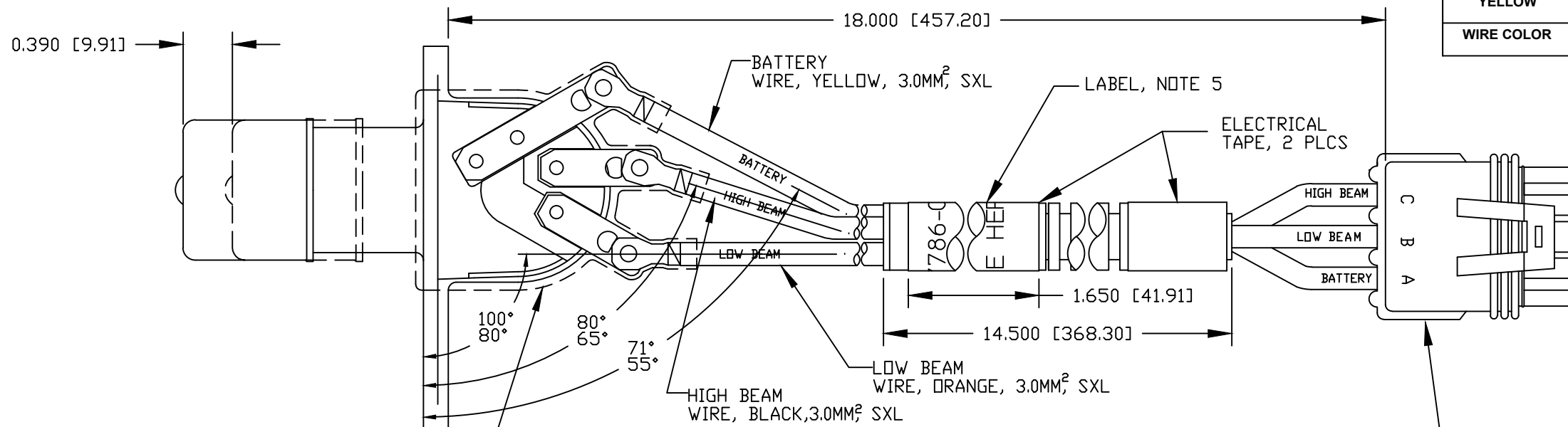
4

3

2

1

LEGEND		
BLACK	C	HIGH BEAM
ORANGE	B	LOW BEAM
YELLOW	A	BAT 12V
WIRE COLOR	POSTION	POSTION



PACKARD CONNECTOR #1201-5793  
 PACKARD WIRE SEAL #1201-5193, 3 REQ'D  
 PACKARD FEMALE TERMINAL #1212-4581, 3 REQ'D

- NOTES:
1. ALL STEEL PARTS PLATED
  2. ALL DIMENSIONS ARE REFERENCE ONLY
  3. EACH DOWNWARD STROKE OF THE PLUNGER SHIFTS BEAMS. SWITCH MUST CHANGE CIRCUIT FROM ONE TERMINAL TO THE OTHER WITHOUT LOSS OF LIGHT PERCEPTIBLE TO THE EYE
  4. WIRES HOT STAMED WITH IDENTIFICATION CODES
  5. LABEL INCLUDES COLE HERSEE PART NUMBER, REVISION LEVEL & COLE HERSEE NAME OR LOGO

Revision Control Record				Rev.	Description of Change	ECN No.	Date	<p>Note: unless noted otherwise all dimension are <u>AFTER</u> plating          Tolerances: Unless otherwise specifically noted, the following are default tolerances;</p> <p><b>2-places</b> ± 0.02 [0.5]      <b>3-places</b> ± 0.005 [0.13]      <b>Angular</b> ± 1'</p> <p>Unless otherwise specified dimensions are in inches. Dimensions in brackets [ ] are in millimeters.          "REF" = Non-Toleranced Reference Dimension, shown for clarification purposes only.          Note: All tolerances are Non-Cumulative.</p>	PROPRIETARY INFORMATION		Special Characteristics:		<p>Phn: 617-268-2100 Web: www.colehersee.com</p>
Rev.	Description of Change	ECN No.	Date						All information contained herein, is proprietary to the Cole Hersee Company. Unauthorized use or reproduction is prohibited.	<input checked="" type="checkbox"/> Critical Characteristic, relating to Safety and/or Regulatory Compliance <input checked="" type="checkbox"/> Significant Characteristic relating to Process Control <input checked="" type="checkbox"/> Control Dimension relating to Form - Fit - Function as defined by Cole Hersee Company and/or the Customer	Description: <b>DIMMER SWITCH</b>		
F	SHOW TEXT ON CAP	02058	02/07/02						3RD ANGLE PROJECTION		Drawing / Part No.: <b>7786-03</b>	Current Rev. <b>H</b>	
G	LOOM MFG & PN	08234	04/24/08						Scale: 1:1	Drawn BY: RT	Date Drawn: 01/18/00	Pg. 1 of 1	
H	BOM CHANGE	17764	07/10/17					FORM CHT-6 (1/12)	Used On or Ref.: ..				

4

3

2

1