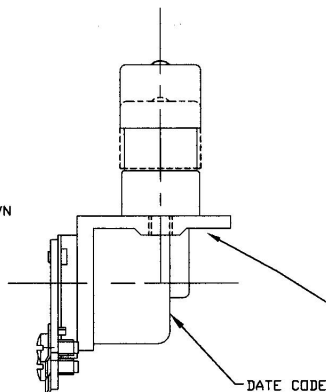
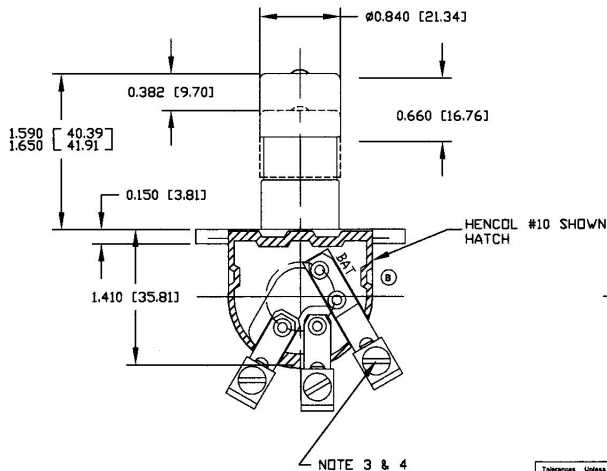
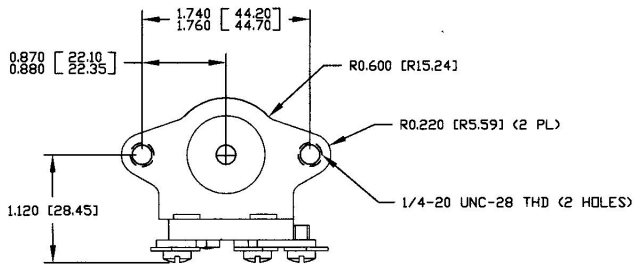


Revision Control Record

Rev.	Description of Change	ECN No.	Date
A	RELEASE	04342	09/28/04
B	CHANGE HATCH AREA	04425	10/28/04



MADE IN U.S.A.

- NOTES:
1. ALL STEEL PARTS PLATED
 2. ALL DIMENSIONS REFERENCE
 3. TERMINAL SCREWS TO BE ASSEMBLED WITH CLEARANCE FOR TERMINAL LOCKWASHER ASSEMBLY
 4. SCREWS TO BE TIGHT TO PREVENT CHANGING POSITION DURING SHIPMENT

Tolerances. Unless otherwise specifically noted, the following are default tolerances:
 * - Replace Decimal Dimensional: $\pm .02"$
 * - Replace Decimal Dimensional: $\pm .005"$
 * - Angular Dimensional: ± 0.5 Deg.
 * Metric: Refer to equivalent English Dimensional Tolerance
 ** - NOTE: All tolerance are Non-Commutative, not

Dimensional Limits. All dimensions are expressed in inches except those shown in brackets (xx) are expressed in millimeters

FREE or as **Indicated** is a Non-Toleranced Reference Dimension, shown for identification purposes only.

PROPRIETARY INFORMATION. This Engineering Drawing, and the information contained herein, is proprietary to Cole Hersee Company and may not be disclosed, reproduced, or in any other way transmitted or communicated to any other party without the express written consent of an authorized representative of Cole Hersee Company.

DESIGN CHANGES. It is the responsibility of the individual using/producing this drawing to ensure that the latest design revision and agrees with the revision level of the Operative Document (shop/drawing). This is a NON-CONTROLLED DOCUMENT unless otherwise specifically noted.

DO NOT SCALE - Dimensional variation may occur during printing/ reproduction.

Special Characteristics...

- Critical Characteristics, relating to Safety under Regulatory Compliance
- Significant Characteristics relating to Process Control
- Control Characteristics relating to Parts - Fit - Function as defined by Cole Hersee Company and/or the Customer

(Note that the identification of any Characteristics as being "Special" does not alter the requirement that ALL specified dimensions & tolerances must be met.)

Used On
or Ref: EX28104

Scale: 1:1

Drawn
By: CB

Date
Drawn: 09/16/04

Responsible
Engineer: CB Pg. 1 of 1

Cole Hersee Co.
 30 Old Colony Ave., South Boston, MA, 02127
 Phone 617-265-2100 Web: www.colehersee.com

Description: DIMMER SWITCH, SEALED
WHENCOL # 10

Drawn/
Part No.: 7787-01

B