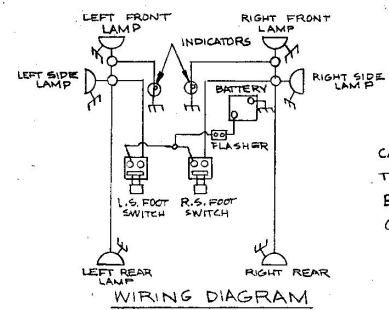
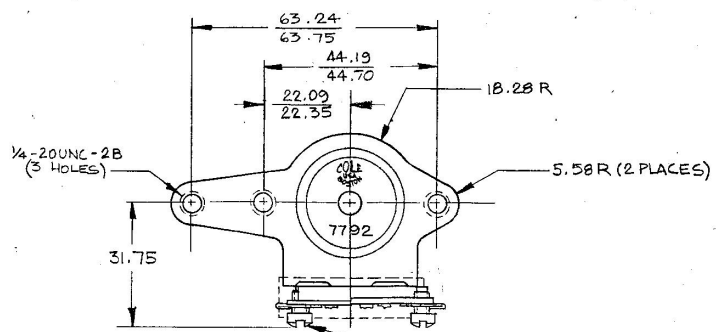
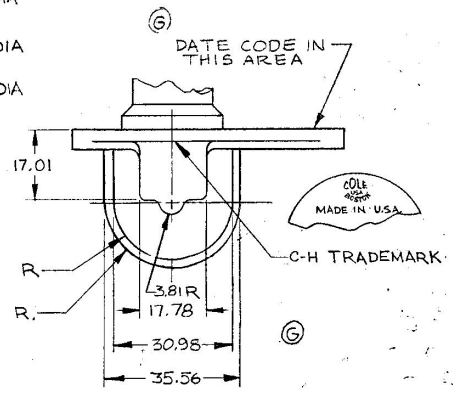
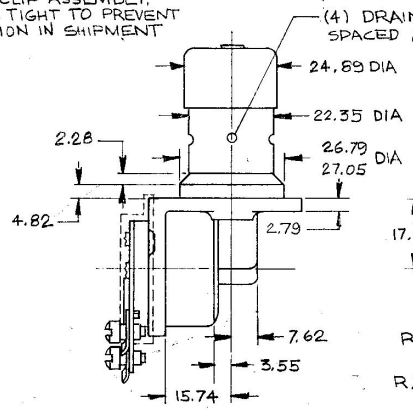
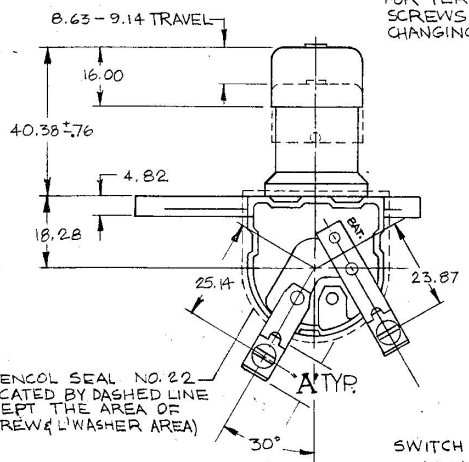


MM	IN
0.50	.020
0.76	.030
2.75	.100
2.25	.090
3.55	.140
3.81	.150
4.82	.190
5.58	.220
6.25	.250
8.63	.340
9.14	.360
7.62	.300
15.74	.620
16.00	.630
17.01	.670
17.78	.700
18.25	.720
23.09	.910
22.25	.880
23.57	.940
24.50	.980
25.14	.990
26.73	1.055
27.05	1.065



CASE DIE CAST DIOCHROMATE  
 TERMINALS STEEL ZINC PLT.  
 BUTTON, STEEL, ZINC PLT  
 CONTACTOR, COPPER CADMIUM

TERMINAL SCREWS TO BE ASSEMBLED WITH CLEARANCE FOR TERMINAL CLIP ASSEMBLY. SCREWS TO BE TIGHT TO PREVENT CHANGING POSITION IN SHIPMENT



SWITCH NORMALLY OPEN  
**WATER-RESISTANT** <sup>Ⓜ</sup>

DO NOT SCALE

LET.	WAS	DATE	BY	LET.	WAS	DATE	BY	MATERIAL	DRAWN	CHECKED	APPROV.	SCALE	DATE DRAWN
									JAV			1=1	2-2-78
								FINISH					DATE BLUEPRINT
				H	ECN 03261	7/16/83	M.L		COLE HERSEE CO. TURN SIGNAL SWITCH				7792
			G	ECN 25135	5/24/81	BL	TOLERANCES						
			F	REDRAWN	5/26/89	RO	DECIMAL ± .50 METRIC ± .50						

Confidential Property of Cole Hersee

**METRIC**