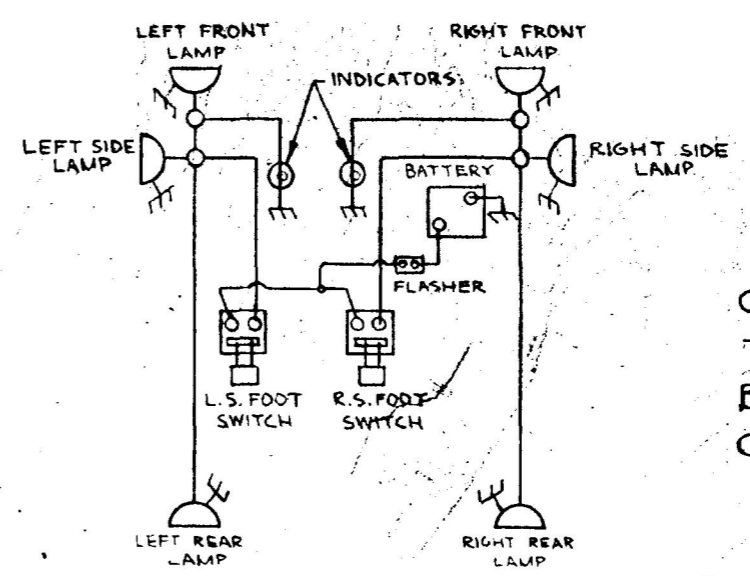
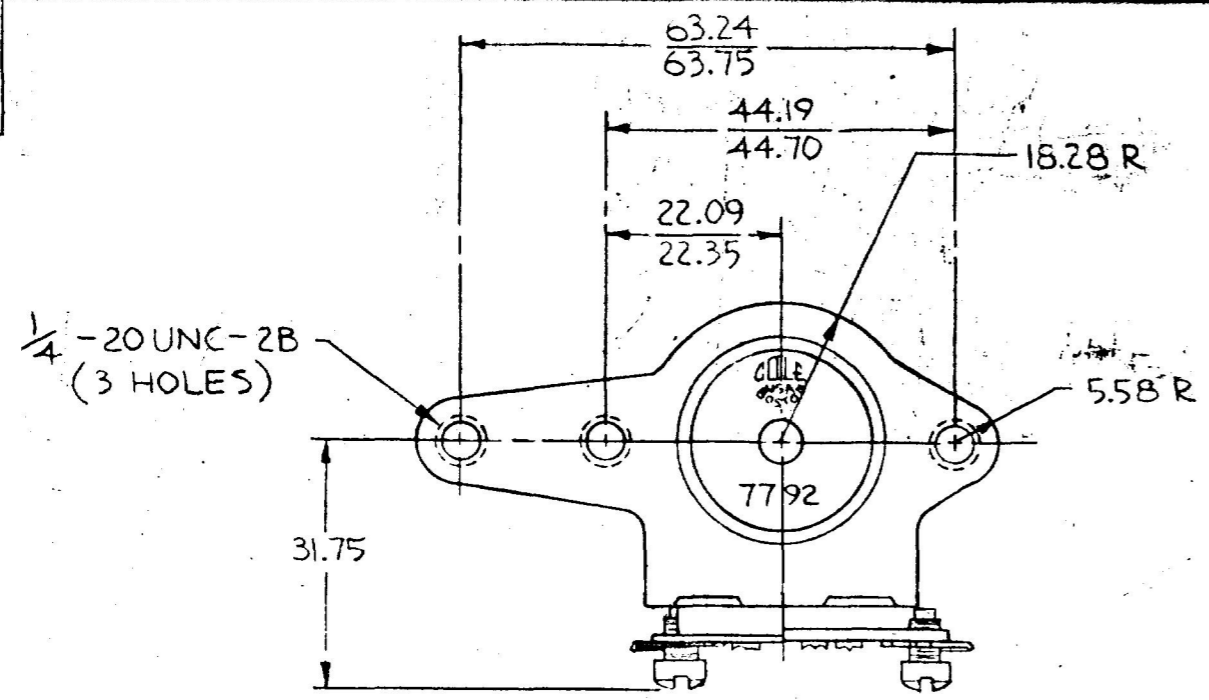


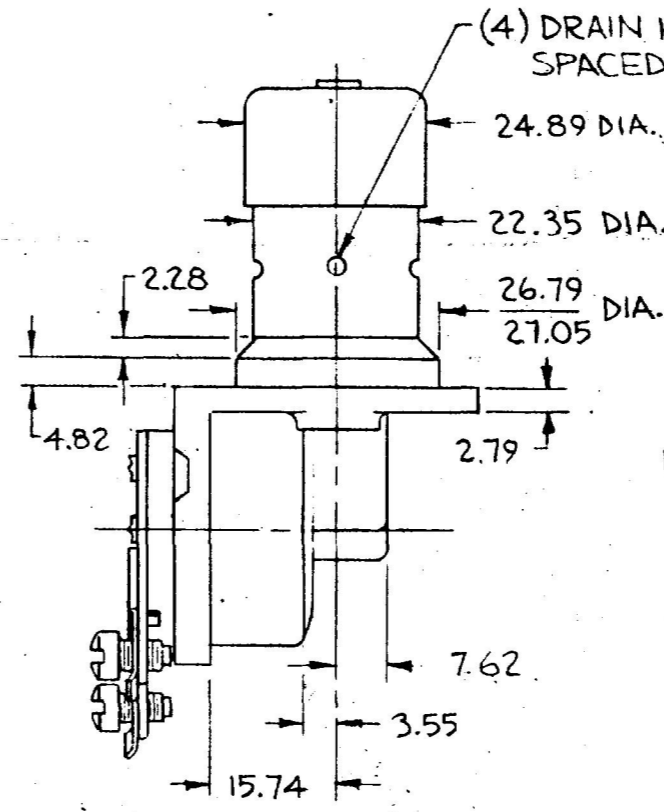
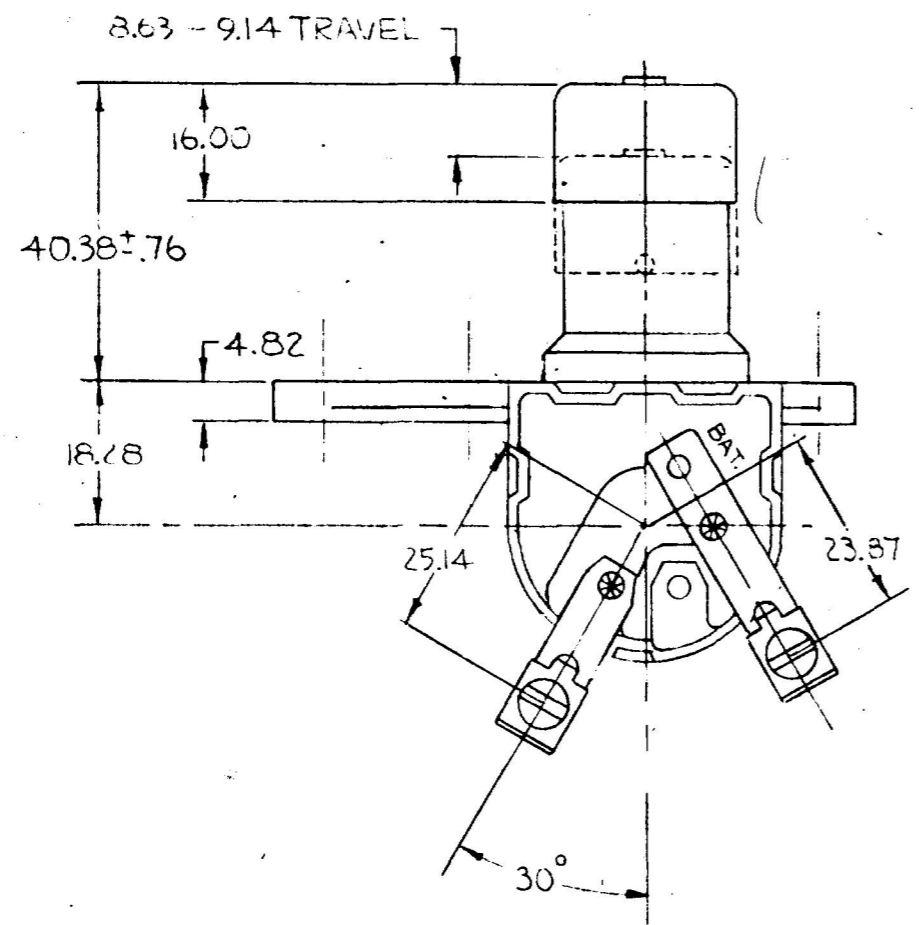
MM.	IN.
2.28	.090
3.10	.146
3.79	.149
1.27	.050
3.64	.143
0.50	.020
0.76	.030
1.27	.050
1.78	.070
2.29	.090
2.79	.110
3.29	.125
3.79	.149
4.29	.169
4.79	.189
5.29	.209
5.79	.229
6.29	.249
6.79	.269
7.29	.289
7.79	.309
8.29	.329
8.79	.349
9.29	.369
9.79	.389
10.29	.409
10.79	.429
11.29	.449
11.79	.469
12.29	.489
12.79	.509
13.29	.529
13.79	.549
14.29	.569
14.79	.589
15.29	.609
15.79	.629
16.29	.649
16.79	.669
17.29	.689
17.79	.709
18.29	.729
18.79	.749
19.29	.769
19.79	.789
20.29	.809
20.79	.829
21.29	.849
21.79	.869
22.29	.889
22.79	.909
23.29	.929
23.79	.949
24.29	.969
24.79	.989
25.29	1.009
25.79	1.029
26.29	1.049
26.79	1.069
27.29	1.089
27.79	1.109
28.29	1.129
28.79	1.149
29.29	1.169
29.79	1.189
30.29	1.209
30.79	1.229
31.29	1.249
31.79	1.269
32.29	1.289
32.79	1.309
33.29	1.329
33.79	1.349
34.29	1.369
34.79	1.389
35.29	1.409
35.79	1.429
36.29	1.449
36.79	1.469
37.29	1.489
37.79	1.509
38.29	1.529
38.79	1.549
39.29	1.569
39.79	1.589
40.29	1.609
40.79	1.629
41.29	1.649
41.79	1.669
42.29	1.689
42.79	1.709
43.29	1.729
43.79	1.749
44.29	1.769
44.79	1.789
45.29	1.809
45.79	1.829
46.29	1.849
46.79	1.869
47.29	1.889
47.79	1.909
48.29	1.929
48.79	1.949
49.29	1.969
49.79	1.989
50.29	2.009

7792-01

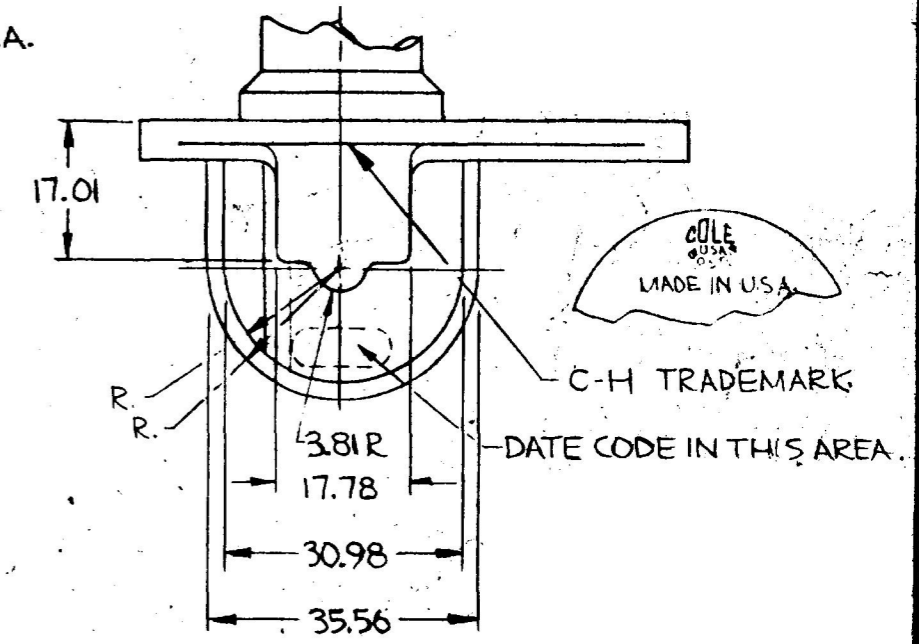


CASE, DIE CAST ZINC, DICHROMATE
 TERMINALS, STEEL, ZINC PLT.
 BUTTON, STEEL, ZINC PLT.
 CONTACTOR, COPPER CADMIUM

WIRING DIAGRAM



(4) DRAIN HOLES EQUALLY SPACED ABOVE SEAL.



COLE-HERSEE CO
 NPM

METRIC

LET	WAS	DATE	BY	LET	WAS	DATE	BY	MATERIAL	DRAWN	CHECKED	APPR'D	SCALE	BASIC LESS	DATE DRAWN
								H	VK	8/28/78		1:1	HENCOL SEAL #22	8-11-78
								H					COLE-HERSEE COMPANY	DATE BLUEPRINT
													BOSTON, MASS. 02127, U.S.A.	
								TOLERANCES					TURN SIGNAL SWITCH	7792-01
								FRACTIONAL ±						
								DECIMAL ±0.50						

DO NOT SCALE