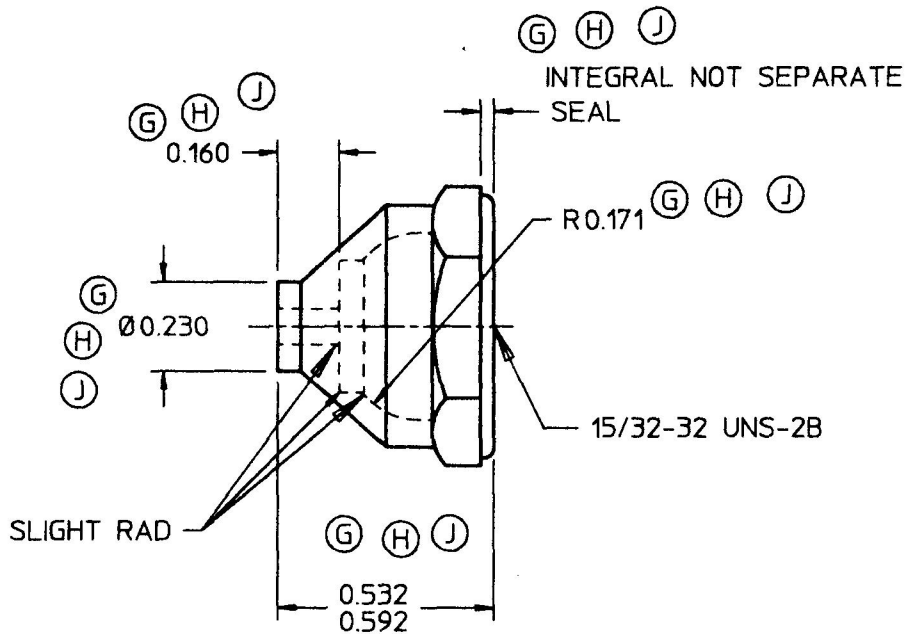
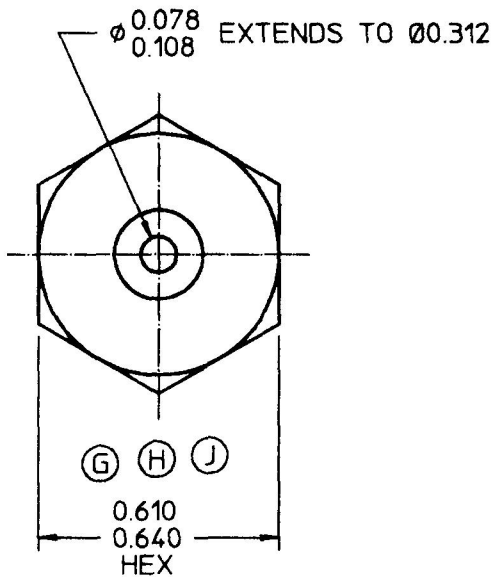
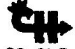


(G) (H) (J)



- NOTES:
- (G) 1. MATERIAL NUT: BRASS, NICKEL PLATED
 - (H) SEALING MATERIAL: SILICONE RUBBER
 - (J) COLOR: DARK GRAY
50 DUROMETER

DO NOT SCALE

LET.	WAS	DATE	BY	LET.	WAS	DATE	BY	MATERIAL NOTED	DRAWN	CHK	APVD	SCALE	DATE DRAWN
									JH	JMP		2:1	5/5/70
								FINISH	 Cole Hersee Co. 20 OLD COLONY AVENUE, BOSTON, MA., U.S.A., 02127				DATE BLUEPRINTED
				G	REVISED ECN # 26430	1/23/97	DPS	TOLERANCES DECIMAL ± 0.005 ANGLE \pm	TOGGLE BOOT				81255
				H	ECN # 26401	12/10/96	JMP						
				G	PUT ON CAD ECN # 26018	10/30/95	MB						