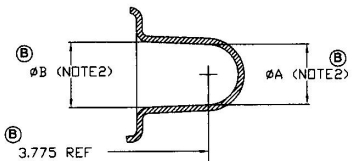
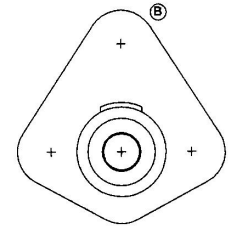
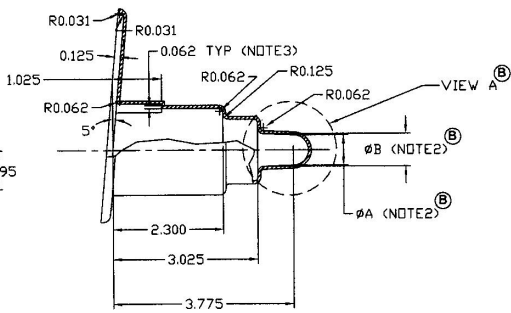
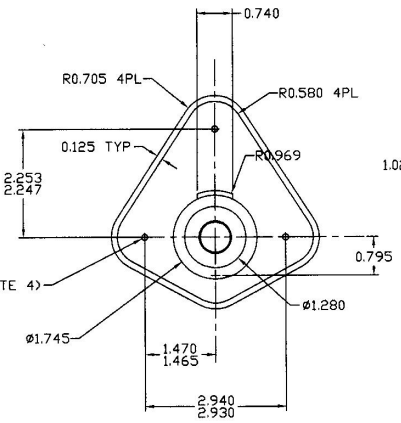


Revision Control Record

Rev.	Description of Change	ECN No.	Date
B	REDRAW, NOTES, REMOVE LETTERING	04018	01/14/04



VIEW A
SCALE 2:1



- NOTES:
1. MATERIAL: P.V.C. BLACK
 2. CLOSED END TO BE CUT TO 3.775 AFTER DIPPING.
 3. PART DESIGN BASED ON DIPPING PROCESS USING MANDREL. OUTSIDE DIMENSIONS MAY VARY.
 4. DIMPLE FOR LOCATION OF HOLES FOR SECONDARY OPERATION.

Tolerances: Unless otherwise specifically noted, the following are default tolerances:
 • Surface Dimensional Dimensions ± 0.02
 • Surface Detail Dimensional ± 0.05
 • Angular Dimensional ± 1.0 Deg.
 *Note: Refer to equivalent English Dimension Tolerance via NOTE. All tolerances are Non-Comulative. ***

Dimensional Units: All dimensions are expressed in inches except those shown in brackets (mm) are expressed in millimeters

PROPRIETARY INFORMATION: This Engineering Drawing, and the information contained herein, is proprietary to Cole Hersee Company and may not be disclosed, reproduced, or in any other way transmitted or disseminated to any other party without the express written consent of an authorized representative of Cole Hersee Company.

DESIGN CONTROL: It is the responsibility of the individual using/republishing this drawing to ensure that the original design remains legal against all the relevant laws of the Controlled Document (where Drawing). This is a NON-CONTROLLED DOCUMENT unless otherwise specifically noted.

DO NOT SCALE - Dimensional variation may occur during printing/ reproduction.

Used On: 12300.12310 or Ref.: EXE4013J

Basic Characteristics:
 Critical Characteristics relating to Safety and/or Regulatory Compliance
 Significant Characteristics relating to Process Control (SPC)
 Key Characteristics relating to Form - Fit - Function as defined by Cole Hersee Company and/or the Customer

(Note that the identification of any Characteristics as being "Special" does not alter the requirement that ALL specified dimensions & tolerances must be met.)

Responsible Engineer: SAM

Drawn By: DPS
 Date: 08/23/94
 Page: 1 of 1

Cole Hersee Co.
 20 Old Colony Ave., South Boston, MA, 02127
 Phone 617-268-2100 Web: www.colehersee.com

Description: **BOOT**

Drawing / Part No.: **81356**

Current Rev.: **B**

PART NO.	0.630	0.680	BLACK
	81356-1	0.700	BLACK
	A	B	COLOR