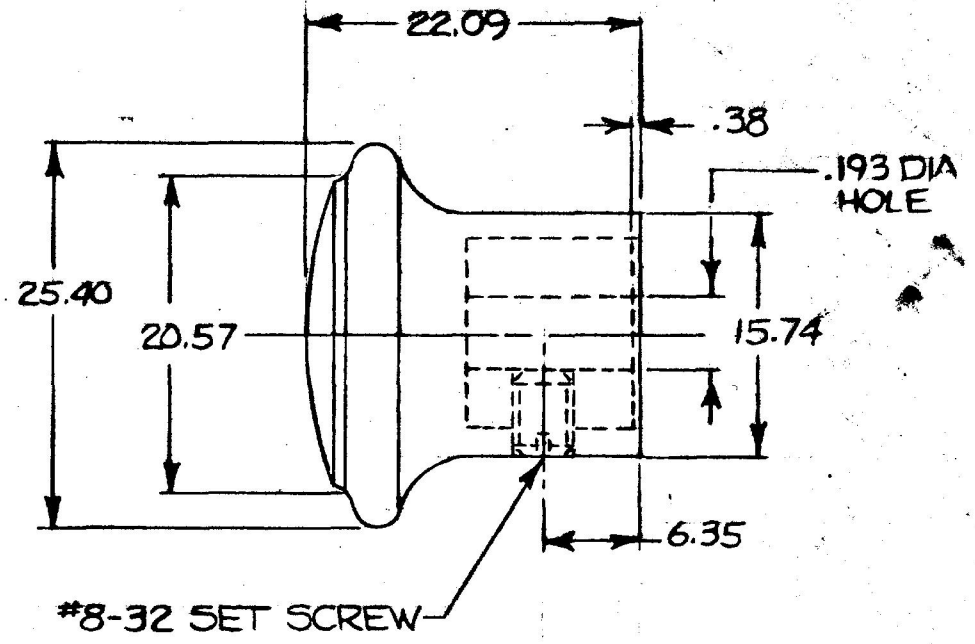
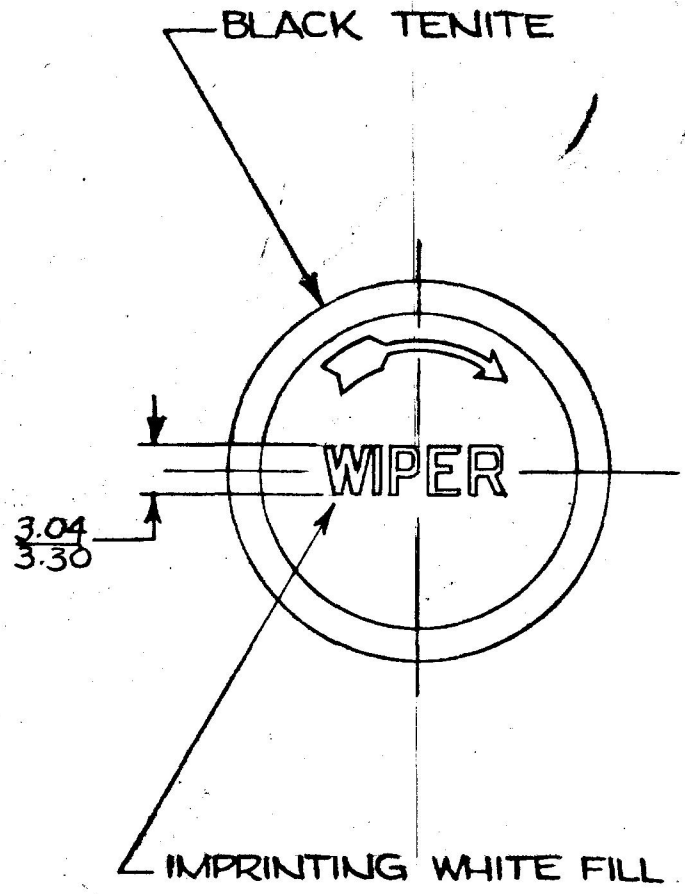


81363

MM.	IN.
.38	.015
3.04	.120
3.30	.130
6.35	.250
15.74	.620
20.57	.810
22.09	.870
25.40	1.000

COLE-HERSEE CO.



METRIC

DO NOT SCALE

LET	WAS	DATE	BY	LET	WAS	DATE	BY	MATERIAL NOTED	DRAWN	CHECKED	APPRV'D.	SCALE	75006	DATE DRAWN
								FINISH	EA	CB		2x		2-10-66
								TOLERANCES	COLE-HERSEE COMPANY BOSTON, MASS. 02127, U.S.A.					DATE BLUEPRINT
							FRACTIONAL ±							
				A	REDRAWN	3-1-76	WJ	DECIMAL ±.010	KNOB ASS'Y					81363

SPAULDING CO., INC. 21-56481