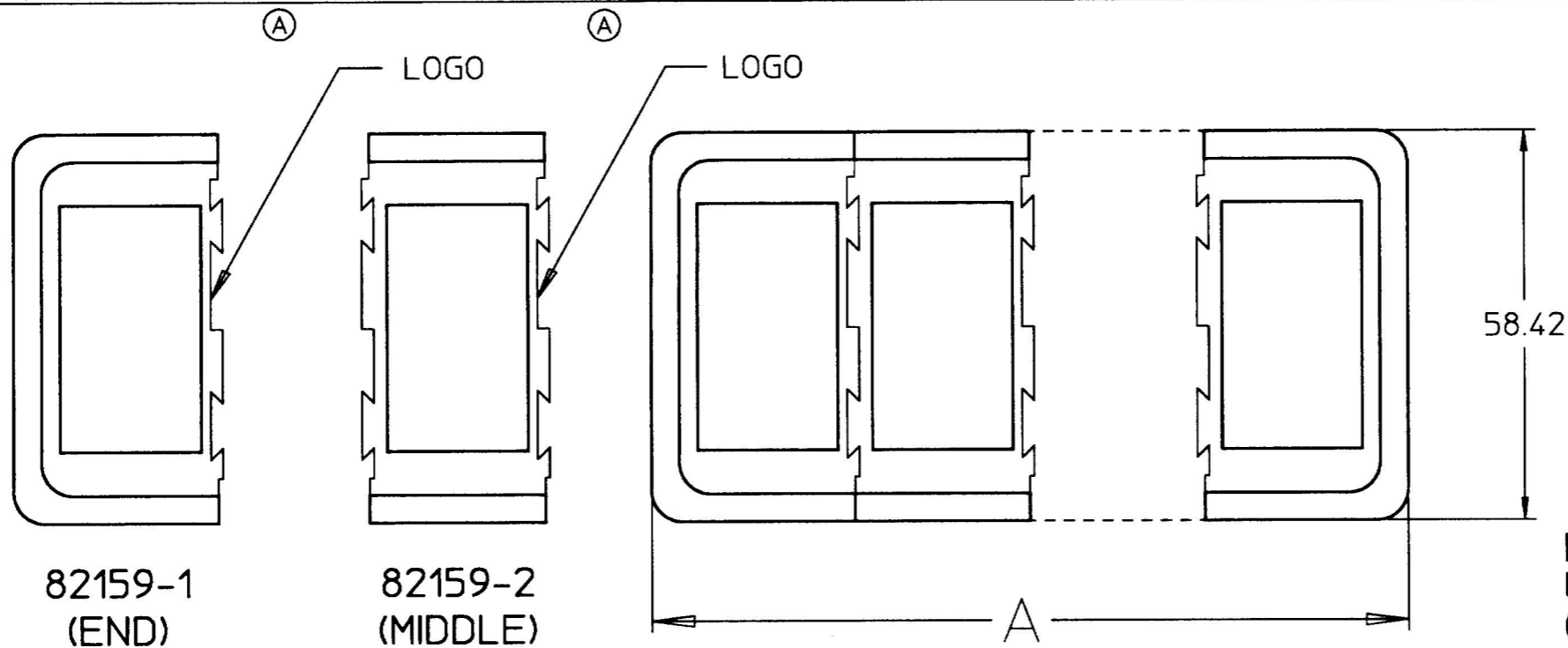
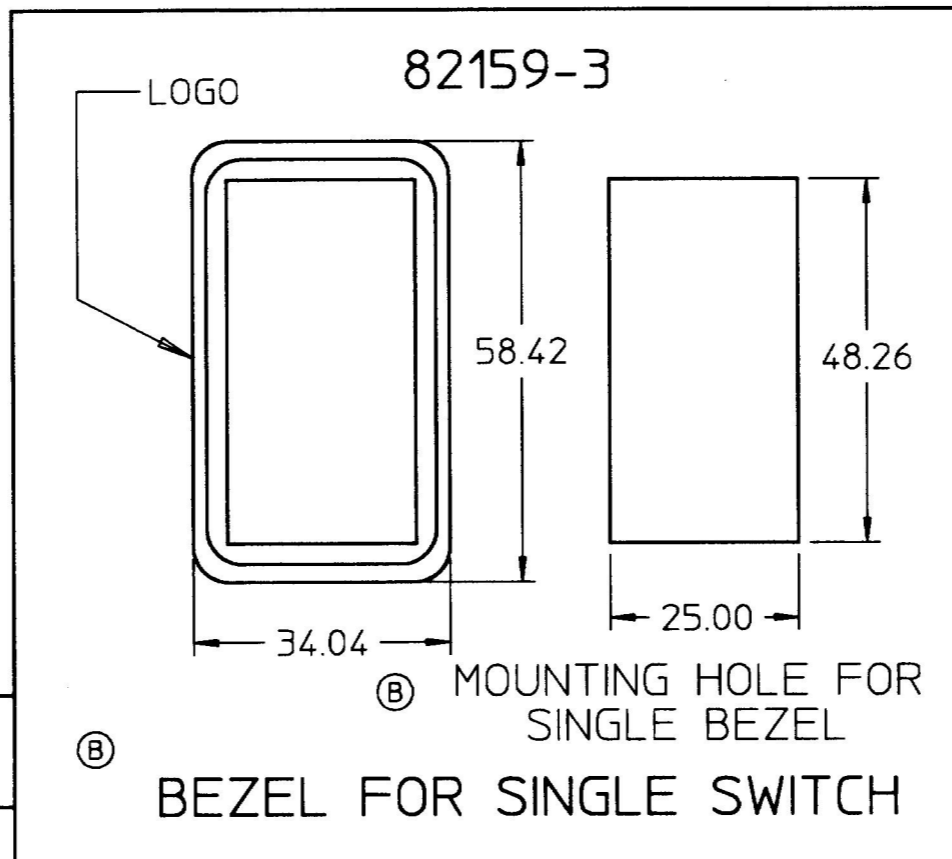


MM	IN
25.00	0.984
26.16	1.030
34.04	1.340
48.26	1.900
51.31	2.020
58.42	2.300
60.20	2.370
86.36	3.400
112.52	4.430



MOUNTING HOLE SIZE FOR 2 UNITS
(ADD 26.16 PER EACH ADDITIONAL UNIT)

METRIC



ⓑ MOUNTING HOLE FOR SINGLE BEZEL
BEZEL FOR SINGLE SWITCH

Ⓐ NOTE:
1. COLE HERSEE LOGO INK STAMPED AT RANDOM LOCATION IN AREA SHOWN

DO NOT SCALE

4	82159-1 82159-2	2 2	112.52
3	82159-1 82159-2	2 1	86.36
2	82159-1	2	60.20
ⓑ 1	82159-3		
NO. SWITCHES	BRACKET NO.	QTY	DIM "A"

LET.	WAS	DATE	BY	LET.	WAS	DATE	BY	MATERIAL	DRAWN	CHK	APVD	SCALE	DATE DRAWN
									MJT	DB		1:1	1/22/93
				B	ADDED -3 ECN 26569	3/17/97	CHW	FINISH	Cole Hersee Co. 20 OLD COLONY AVENUE, BOSTON, MA., U.S.A. 02127				DATE BLUEPRINTED
				A	ECN 25520	1/18/94	BL	TOLERANCES DECIMAL ± ANGLE ±	BEZEL ASSEMBLY				82159
					ISSUED	6/14/93	AF						