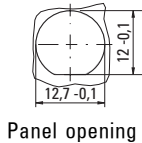
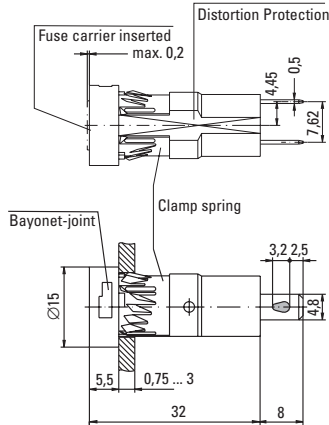


## Holder / No. 823



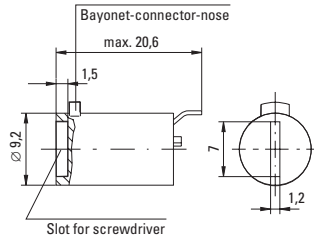
## Panel Mount, Shocksafe Snap-In Type, 5x20mm Fuses



## Cap / No. 835



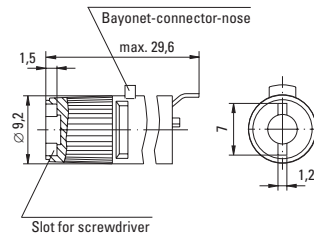
Flush Mount Type



## Cap / No. 837



Finger Grip Type



## Specifications

### Standard

IEC 60127-6  
UL 512  
CSA C22.2. No.39

### Approvals (only 823/835)

VDE: License No. 122096  
SEMKO: Certificate No. 9942055  
UL Recognized: File No. E 70164  
CSA Certified: File No. 47574



### Mounting

Pluggable with clamping spring into 12.7mm diameter D-hole (panel thickness 0.75mm-3mm)

### Terminals

Solderable or 4.8mm quick connect-fits 0.5mm tab

### Protection Class & Category

IP 40 (IEC 60529)  
PC2 (IEC 60127-6)

### Materials

Holder/Cap: Black Thermoplastic Polyamide PA 6.6, UL94 V-0  
Metal Parts: Copper alloy, corrosion protected  
Clamp Spring: Spring steel, non-treated  
Terminals: Solderable, tinned

### Electrical Data (23°C)

Rated Voltage: 250V  
Rated Current: 6.3A (VDE/SEMKO)  
16A (UL/CSA)  
Rated Power: 4W (VDE/SEMKO)

### Operating Temperature

-25°C to +70°C (consider de-rating)

### Climatic Test

-25°C/+70°C/21 days (IEC 60068-2-1...3)

### Stock Conditions

+10°C to +60°C  
relative humidity ≤ 75% yearly average, without dew, maximum value for 30 days - 95%

### Vibration Resistance

24 cycles at 15 min. each (IEC 60068-2-6)  
10 - 60Hz at 0.75mm amplitude  
60 - 2000Hz at 10g acceleration

### Contact Resistance

≤ 5mΩ

### Dielectric Strength

> 1.5 kV

### Impulse Voltage

4 kV, 50 Hz, 1 min., dry

### Insulation Resistance

> 10<sup>3</sup> MΩ (500 VDC, 1 min.)

### Solderability

235°C, 3 sec. (Wave)  
350°C, 1 sec. (Soldering Iron)

### Soldering Heat Resistance

260°C, 5 sec. (IEC 60068-2-20)

### Minimum Cross Section

Conductor - 2.5mm<sup>2</sup>

### Marking

823, 250V, Approvals

### Unit Weight

3.8g (Holder) / 1.6g (835) / 2.2g (837)

## Order Information

### Packaging

Bulk (100 pcs.)

### Order Numbers

Holder No. 823 0000 000  
Cap, Flush Mount No. 835 0000 000  
Cap, Finger Grip No. 837 0000 000



Note: 1.00 means the number one with two decimal places. 1,000 means the number one thousand.