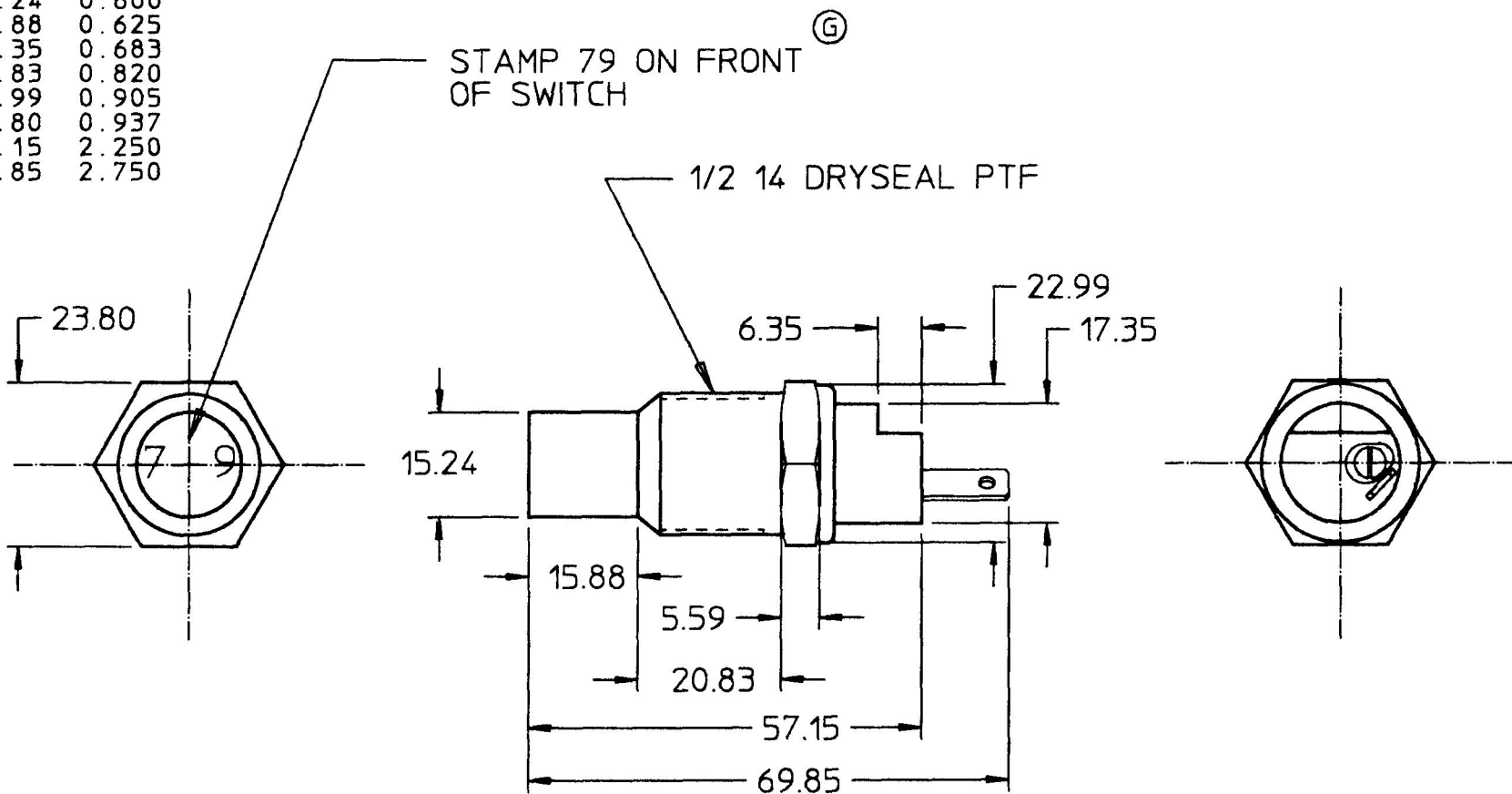


84210

MM	IN
5.59	0.220
6.35	0.250
15.24	0.600
15.88	0.625
17.35	0.683
20.83	0.820
22.99	0.905
23.80	0.937
57.15	2.250
69.85	2.750



NOTES:

1. ALL DIMENSIONS ARE REFERENCE ONLY
2. ALL STEEL PARTS PLATED
3. ON AT 239°-271°F

METRIC

DO NOT SCALE

LET.	WAS	DATE	BY	LET.	WAS	DATE	BY	MATERIAL	DRAWN	CHK	APVD	SCALE	DATE DRAWN
									RW	DRS		1:1	05/08/70
								FINISH	Cole Hersee Co. 20 OLD COLONY AVENUE, BOSTON, MA., U.S.A., 02127				DATE BLUEPRINTED
				G	ECN # 98672	09/29/98	JG	TOLERANCES	TEMP SW ASS'Y				84210
					ISSUED	09/25/98	JG	DECIMAL ± ANGLE ±					