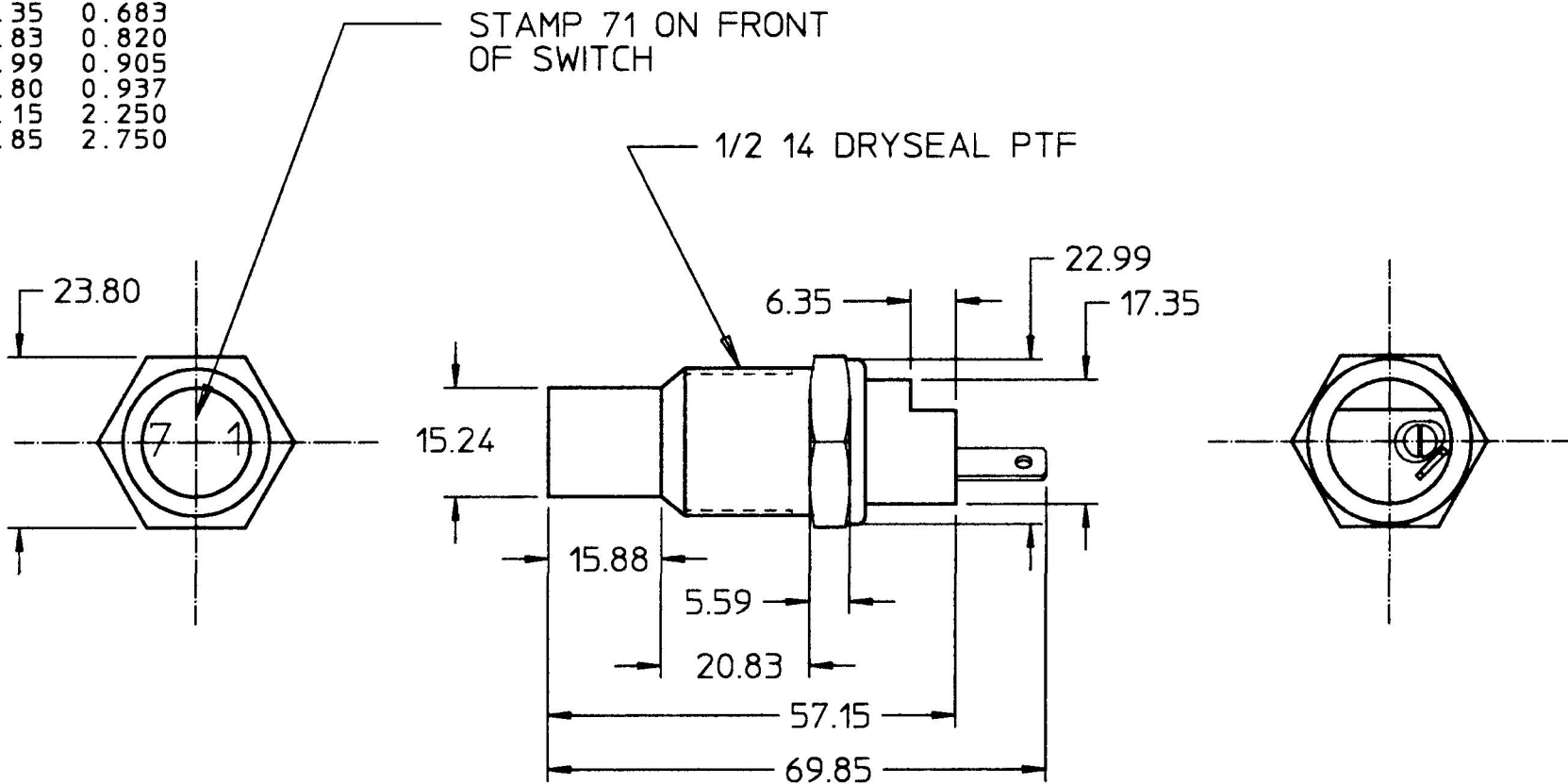


84227

MM	IN
5.59	0.220
6.35	0.250
15.24	0.600
15.88	0.625
17.35	0.683
20.83	0.820
22.99	0.905
23.80	0.937
57.15	2.250
69.85	2.750



- NOTES:
- © 1. ALL DIMENSIONS ARE REFERENCE ONLY
 - 2. ALL STEEL PARTS PLATED
 - 3. ON AT 232°-264°F

METRIC

DO NOT SCALE

LET.	WAS	DATE	BY	LET.	WAS	DATE	BY	MATERIAL	DRAWN	CHK	APVD	SCALE	DATE DRAWN
									RW	DPS		1:1	05/08/70
								FINISH	Cole Hersee Co. 20 OLD COLONY AVENUE, BOSTON, MA., U.S.A., 02127			DATE BLUEPRINTED	
				C	ECN # 98671	09/29/98	JG	TOLERANCES	TEMP SW ASS'Y			84227	
					ISSUED	09/25/98	JG	DECIMAL ±					
								ANGLE ±					