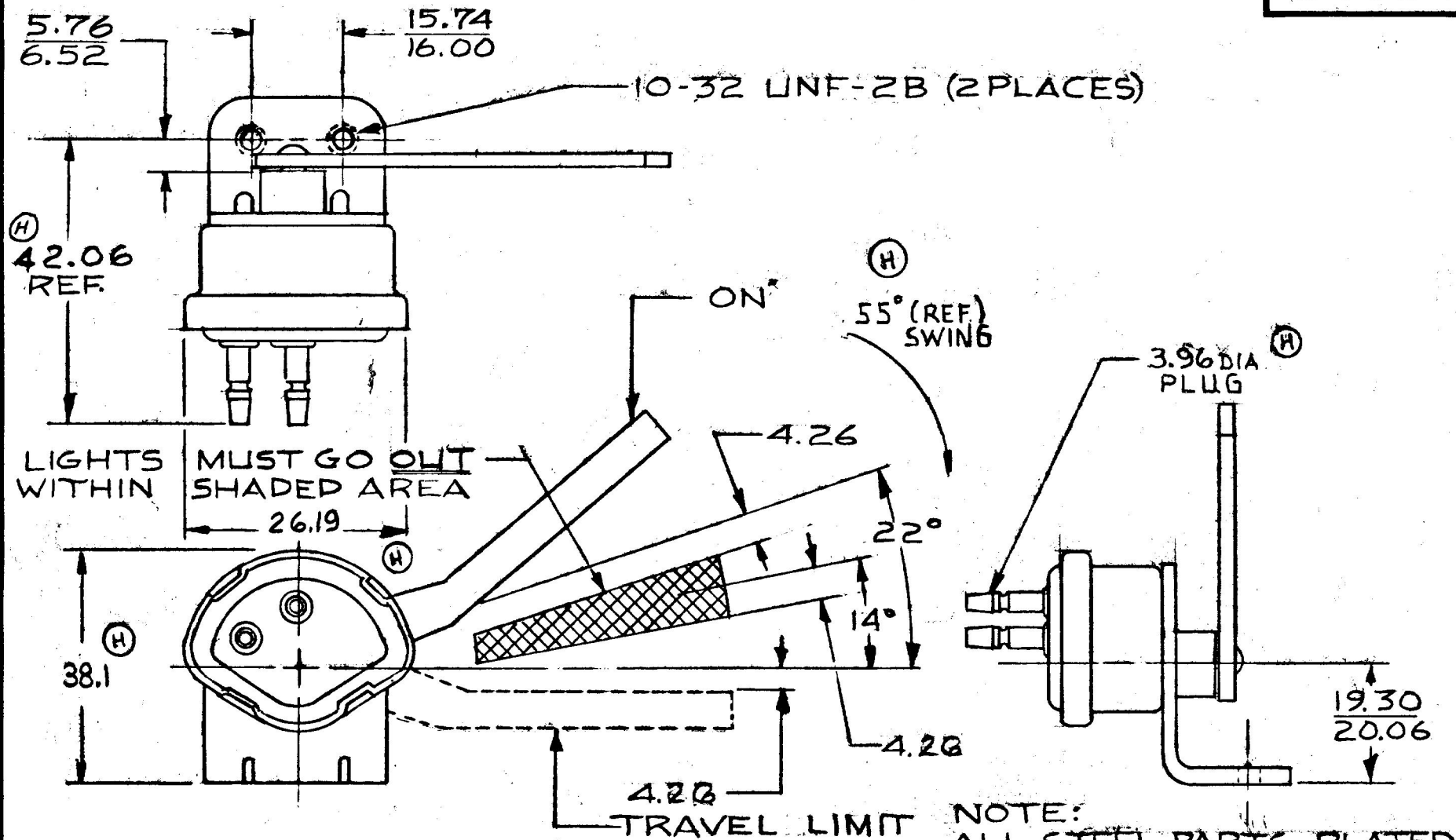


8486

MM IN  
 4.26 .168  
 5.76 .227  
 6.52 .257  
 15.74 .620  
 16.00 .630  
 19.30 .760  
 20.06 .790  
 44.09 1.736  
 38.1 1.500  
 26.19 1.069  
 3.96 .156



RATED CONTACT CURRENT 4.2-4.6 AMPS  
 MAX. OPERATING FORCE 3LBS

METRIC

DO NOT SCALE

VIEW S. MFG. CO. 51700018

LET.	WAS	DATE	BY	LET	WAS	DATE	BY	MATERIAL	DRAWN	CHECKED	APPR'D.	SCALE	DATE DRAWN
								#	FHG	RJA		1:1	10-26-54
								FINISH NOTED	 30 OLD COLONY AVENUE SOUTH BOSTON, MA. U.S.A. 02127				DATE BLUEPRINT
								TOLERANCES					MECH. STOP LIGHT SWITCH
				H	ECN 23516	5/15/87	RF	DECIMAL ± .010					
				G	REDRAWN REV 21303	1-30-81	LP	METRIC ± .25					

CH-188(4-78)