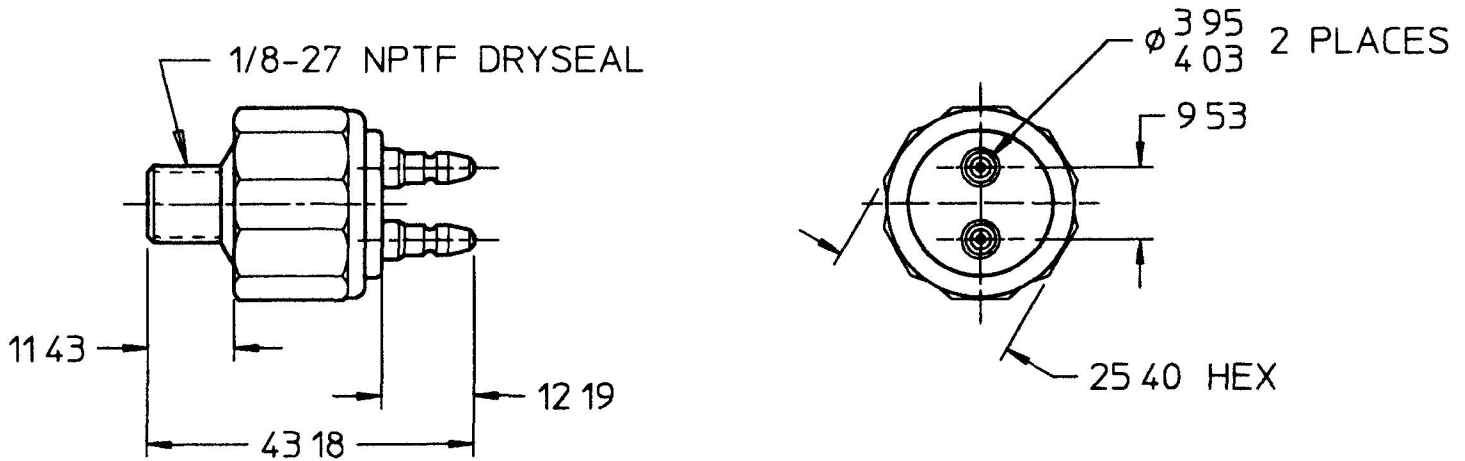


8629

MM	IN
3 95	0 156
4 03	0 159
9 53	0 375
11 43	0 450
12 19	0 480
25 40	1 000
43 18	1 700
Kpa	PSI
413 40	60
826 80	120



NOTES

- 1 SWITCH TO OPERATE AT 60 TO 120 PSI PRESSURE
- 2 ALL STEEL PARTS PLATED
- 3 ALL DIMENSIONS ARE REFERENCE ONLY

METRIC

DO NOT SCALE

LET	WAS	DATE	BY	LET	WAS	DATE	BY	MATERIAL	DRAWN	CHK	APVD	SCALE	DATE DRAWN
									RZ	<i>DP3</i>		11	7/10/52
								FINISH	<b>Cole Hersee Co.</b> 20 OLD COLONY AVENUE, BOSTON, MA, U.S.A. 02127				DATE BLUEPRINTED
								TOLERANCES DECIMAL ± 0.015 ANGLE ±	<b>SW, STOP LIGHT</b>				<b>8629</b>
				D	PUT ON CAD/ EQN #25295	1/18/93	MJT						