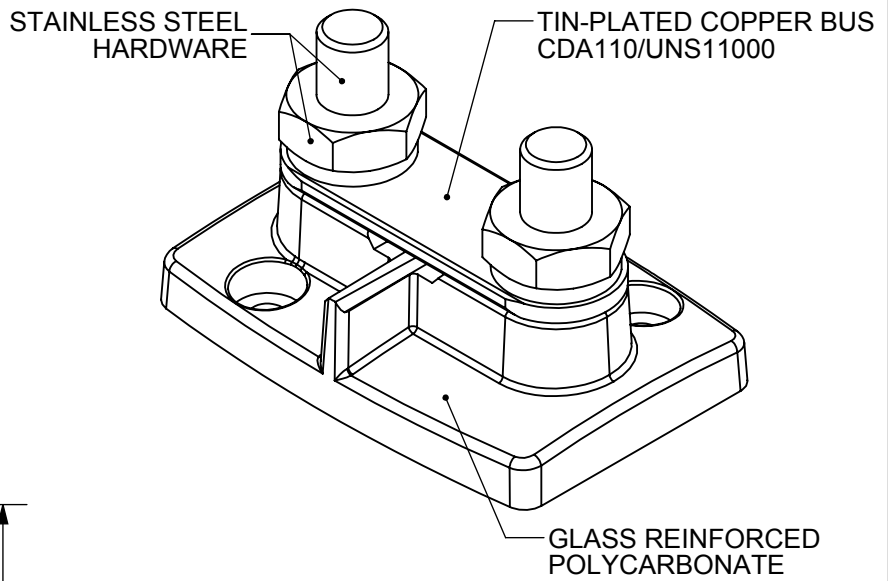



REVISIONS				
ZONE	REV.	DESCRIPTION	DATE	APPROVED
	A	INITIAL DRAWING RELEASE	4/25/2011	J. KAUFMAN
	B	PER EC#517460: UPDATING DRAWING BY TRANSFERING INTO THE LITTELFUSE TEMPLATE	4/25/2017	J. LIU



- NOTES:
- CONTINUOUS RATING: AMPERAGE RATING IS DETERMINED BY WIRE AMPERAGE CAPACITY CONNECTED TO THE BUSBAR, UP TO 600A.
 - VOLTAGE MAXIMUM OPERATING: 48 VOLTS DC

DIMENSIONS ARE IN MM.		NAME		DATE		 Littelfuse <small>Expertise Applied Answers Delivered</small>
DIMENSIONS AND TOLERANCES ARE DEFINED ACCORDING TO ANSI / ASME Y14.5M-1994		DRAWN	J. JUSTIN	4/25/2011		
THIS DRAWING AND THE INFORMATION CONTAINED WITHIN IT ARE CONFIDENTIAL AND MAY NOT BE COPIED OR DISCLOSED WITHOUT THE WRITTEN PERMISSION OF LITTELFUSE.		CHECKED	-	-	-	<h2 style="text-align: center;">Busbar Dual Stud</h2>
		THIRD ANGLE PROJECTION				
		SIZE	C	DWG. NO.	880097	
		SCALE 1:1				SHEET 1 OF 1