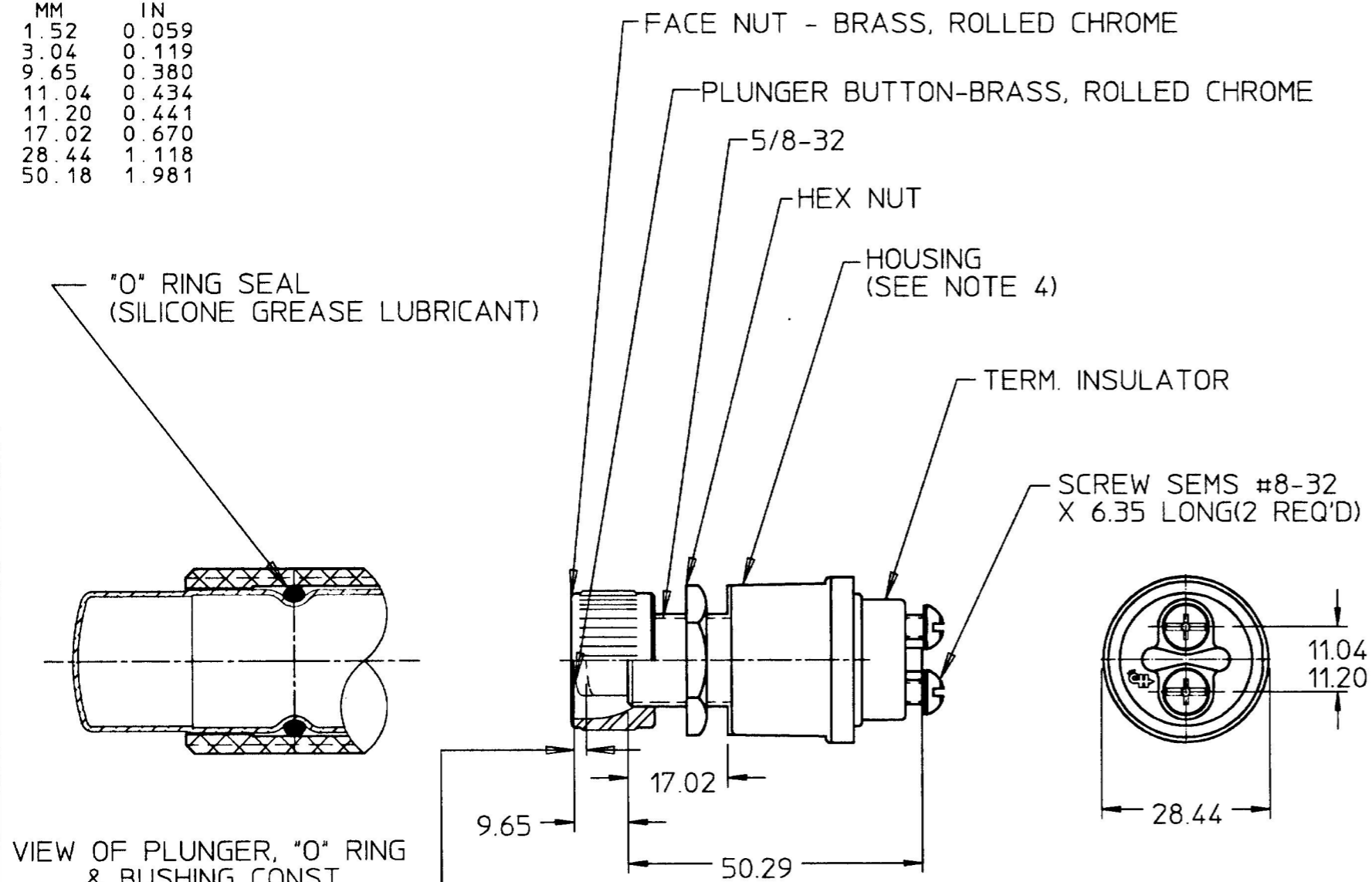
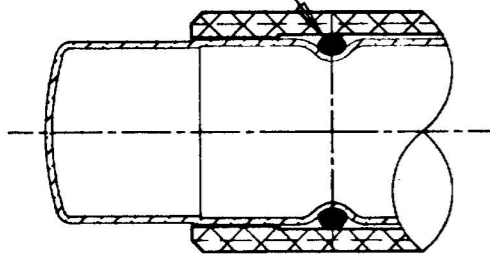


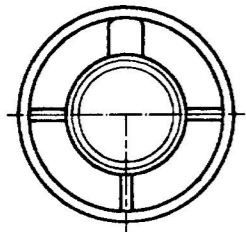
MM	IN
1.52	0.059
3.04	0.119
9.65	0.380
11.04	0.434
11.20	0.441
17.02	0.670
28.44	1.118
50.18	1.981



"O" RING SEAL
(SILICONE GREASE LUBRICANT)



VIEW OF PLUNGER, "O" RING & BUSHING CONST
SCALE 2:1



FRONT VIEW OF CASE

- NOTES:
- SOLID SILVER RIVET STATIONARY CONTACT, SILVER LAMINATED MOVING CONTACT
 - NUMBER OF POLES: 1
NUMBER OF THROWS: 1
 - SEALING:
"O" RING SEAL BETWEEN PLUNGER AND MOUNTING STEM
 - HOUSING: ZINC DIE CAST-60-DEEP DICHROMATE DIP
 - ALL STEEL PARTS EITHER ZINC PLATED WITH DICHROMATE DIE OR CADMIUM PLT
 - RATING:
12V DC: RESISTIVE 35 AMPS
INDUCTIVE 30 AMPS
24V DC: RESISTIVE 20 AMPS
INDUCTIVE 18 AMPS
 - LIFE @ RATED CURRENT
MAKE AND BREAK
12V & 24V-100,000 MIN.
 - ALL DIMENSION REFERENCE ONLY UNLESS NOTED OTHERWISE

DO NOT SCALE

METRIC

LET.	WAS	DATE	BY	LET.	WAS	DATE	BY	MATERIAL	DRAWN	CHK	APVD	SCALE	90000 W/SPEC.	DATE DRAWN
								N/A	KG	DS	N/A	1:1	FACE NUT	02/03/67
								FINISH						DATE BLUEPRINTED
				M	ECN #00381	05/09/00	MK	N/A						
				L	PUT ON CAD	05/05/00	MK							
				--	ISSUED	02/06/77	TR	TOLERANCES						
								DECIMAL ± N/A						
								ANGLE ± N/A						
													CH Cole Hersee Co. 20 OLD COLONY AVENUE, BOSTON, MA., U.S.A., 02127	
													START SWITCH	90000-01