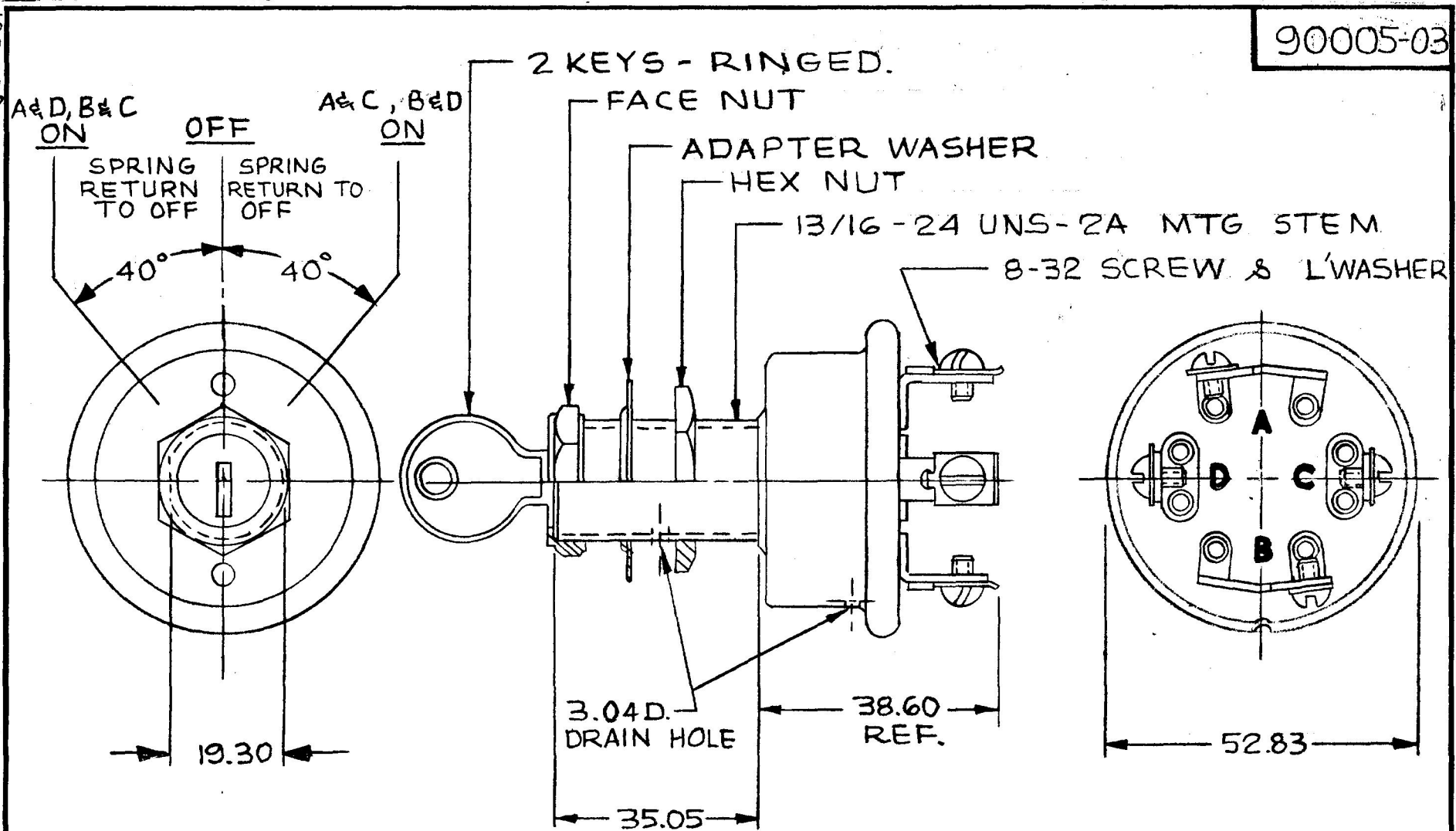


MM IN  
 .25 .010  
 3.04 .120  
 19.30 .760  
 35.05 1.380  
 38.60 1.520  
 52.83 2.080

90005-03

NPM 6-1-77 EX-17956



NOTE:  
 1. ALL STEEL PARTS PLATED  
 2. "O" RING SEAL AT MTG. STEM

METRIC

DO NOT SCALE

LET.	WAS	DATE	BY	LET	WAS	DATE	BY	MATERIAL	DRAWN	CHECKED	APPR'D	SCALE	BASIC W/CASE & BUSHING REV'D, TUMBLER ASS'Y	DATE DRAWN
								#	KG			1:1		5-10-77
								FINISH						DATE BLUEPRINT
								#						
								TOLERANCES						
								DECIMAL ±						
								METRIC ± .25						
					A	REDRAWN	8/7/90	BL					SWITCH, FWD & RVS	90005-03

CH-188(4-78)