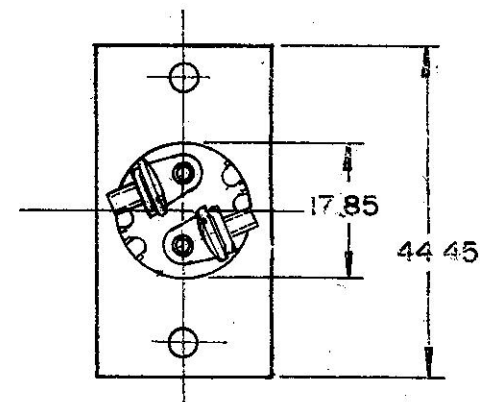
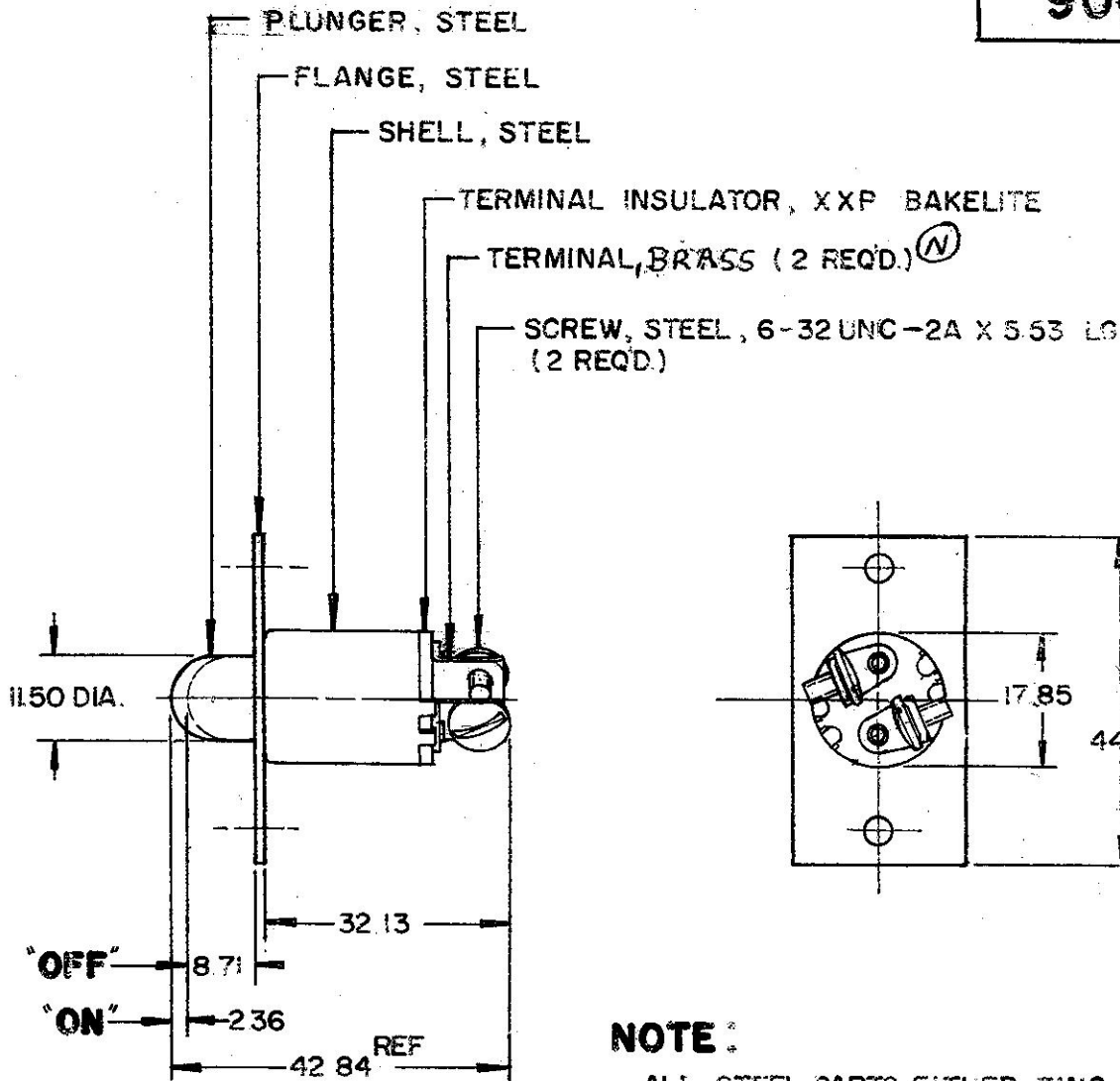
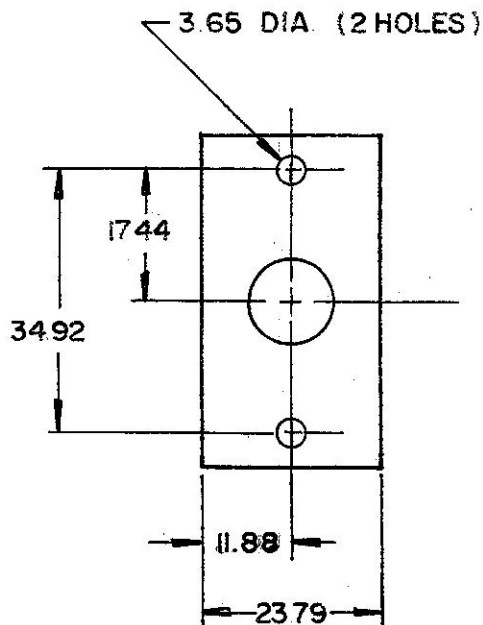


9001

144
218
348
455
468
687
703
937
1265
1375
1687
1750



**NOTE:**

ALL STEEL PARTS EITHER ZINC PLATE WITH DICHROMATE DIP OR CADMIUM PLATE.

**METRIC**

CONFIDENTIAL PROPERTY OF COLE HERSEE

DO NOT SCALE

LET	WAS	DATE	BY	LET	WAS	DATE	BY	MATERIAL	DRAWN	CHECKED	APPRV'D.	SCALE	DATE DRAWN
								— / —	R M	11-3-78		1:1	8 - 23 - 51
								FINISH	 <b>Cole Hersee Co.</b> <small>20 OLD COLONY AVENUE, SOUTH BOSTON, MA, U.S.A. 02111</small>				DATE BLUEPRINT
								— / —					
								TOLERANCES	<p><b>DOOR SWITCH</b></p>				<p><b>9001</b></p>
								FRACTIONAL ±					
								DECIMAL ±					

CL-133 (4-78)