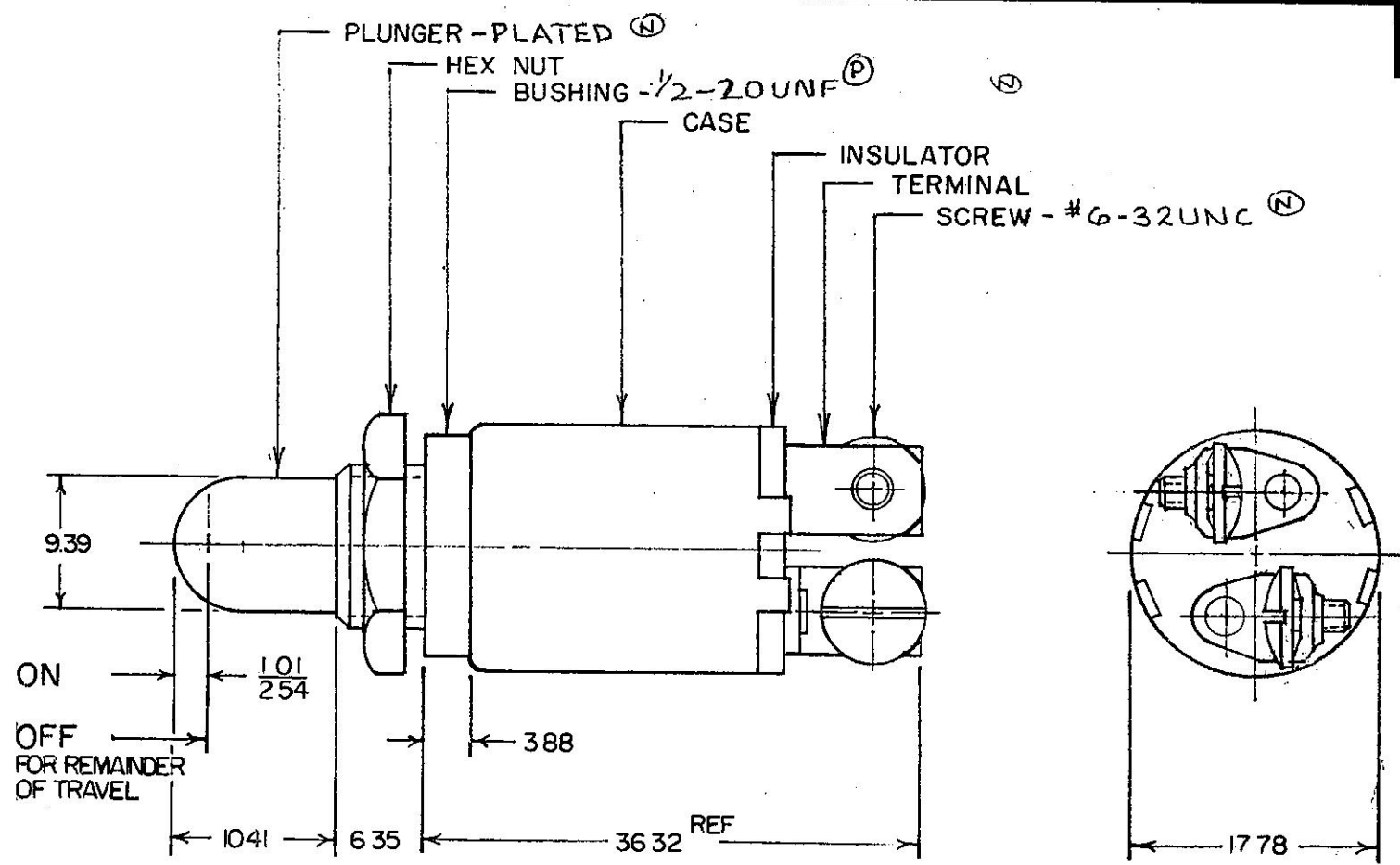


MM	IN
.25	.010
1.01	.040
2.54	.100
3.88	.153
6.35	.250
9.39	.370
10.41	.410
17.78	.700
36.32	1.430

9003



CONFIDENTIAL PROPERTY OF COLE HERSEE

NOTE ALL STEEL PARTS PLATED

METRIC

DO NOT SCALE

LET.	WAS	DATE	BY	LET	WAS	DATE	BY	MATERIAL	DRAWN	CHECKED	APPR'VD.	SCALE	DATE DRAWN
								— # —	JMcK	9-5-80		2X	5-2-45
								FINISH	 Cole Hersee Co. <small>20 OLD COLONY AVENUE, SOUTH BOSTON, MA, U.S.A. 02127</small>				DATE BLUEPRINT
				P	ECN #06168	5-24-80	RF	— # —					
				N	ADD PLATE TO DRAWING 21757	7-27-82	RF	TOLERANCES					
				M	REDRAWN	8-19-80	RF	DECIMAL ±	DOOR SWITCH				9003
								METRIC ± .25					