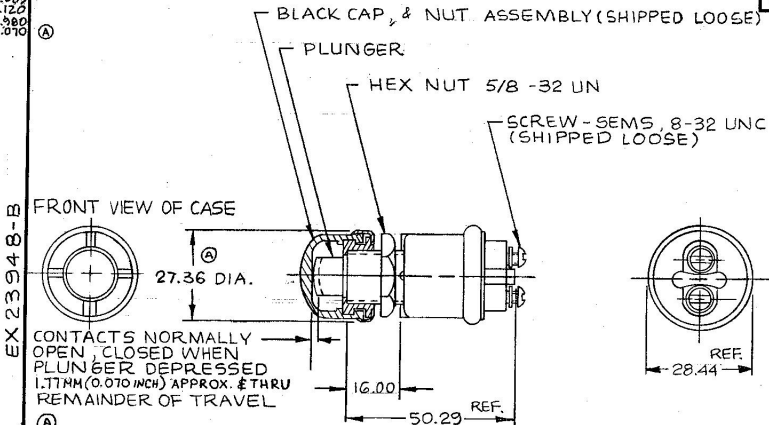


90030-43



RATING:
35 AMPS @ 12 VDC
20 AMPS @ 24 VDC

METRIC

Confidential Property of Cole Hersee

DO NOT SCALE

LET.	WAS	DATE	BY	LET	WAS	DATE	BY	MATERIAL	DRAWN	CHECKED	APPROV'D	SCALE	DATE DRAWN
								#	BL	AF		1:1	9-6-90
								FINISH	 <small>2025 COLE HERSEE COMPANY, WILMINGTON, DE 19810</small>				DATE BLUEPRINT
								TOLERANCES					MOM. SWITCH NO.
				A	ECN 02323	6/25/02	ML	DECIMAL \pm					
					ISSUED	9/11/90	AF	METRIC $\pm .25$					