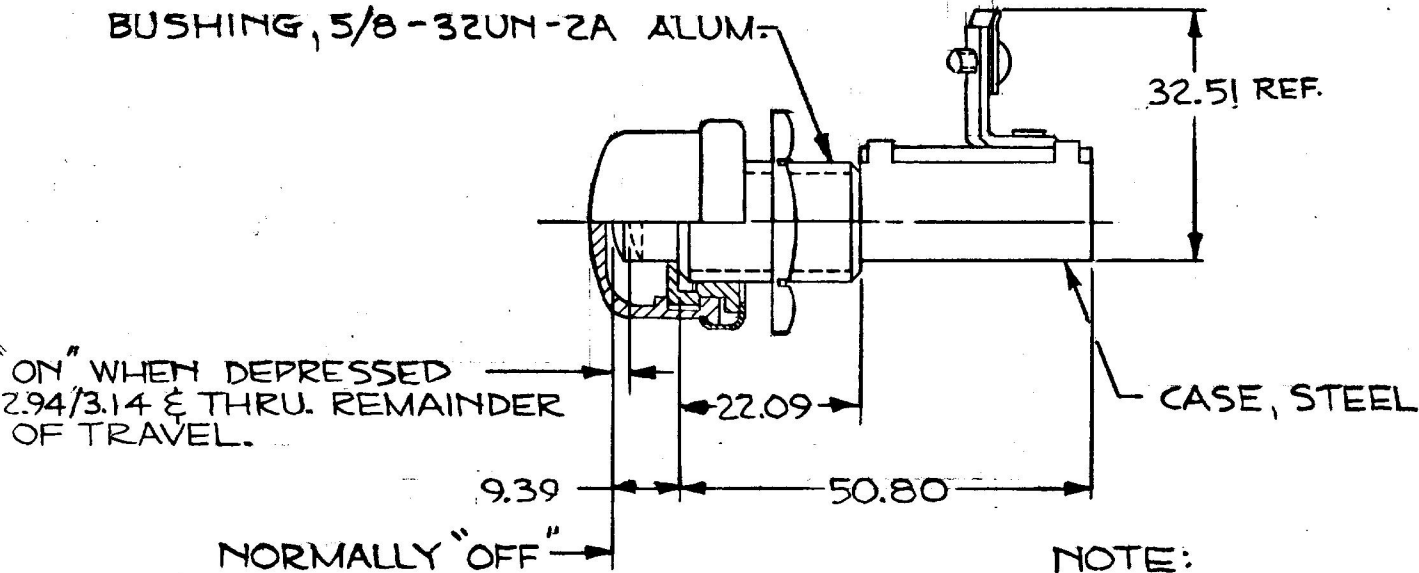
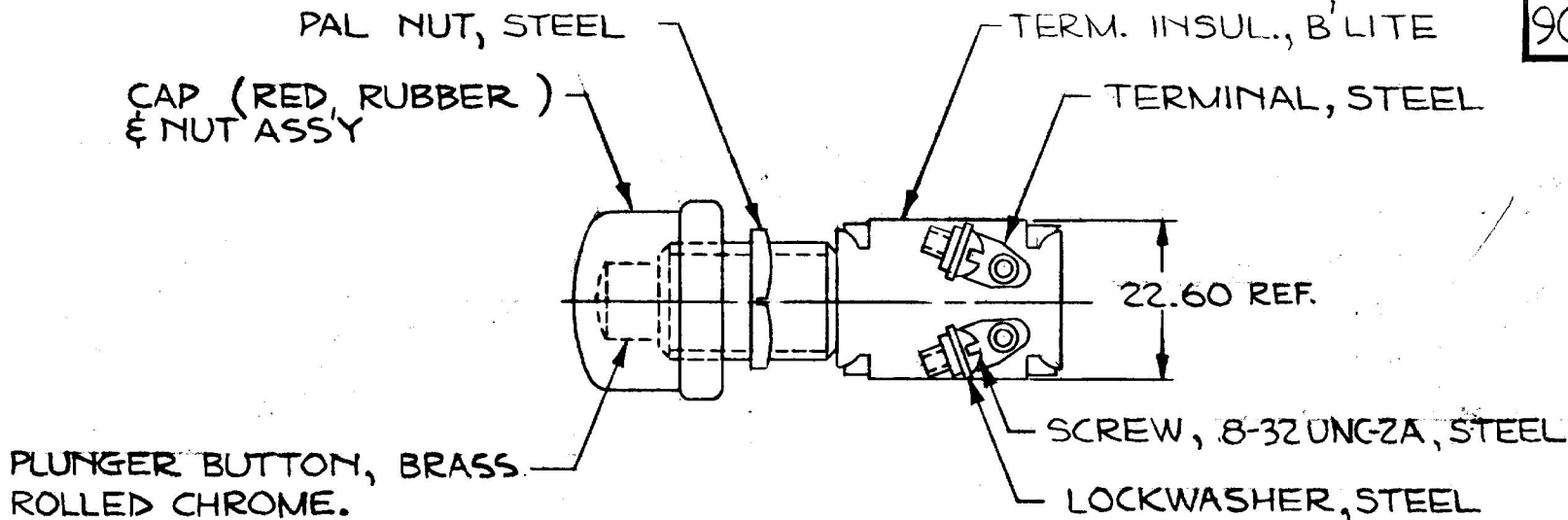


MM.	IN.
0.25	.010
2.94	.116
3.14	.124
9.39	.370
22.09	.870
22.60	.890
32.51	1.280
50.80	2.000

9023-09



NOTE:
 (A) I. ALL STEEL PARTS PLATED

METRIC

10 AMPS @ 12 VOLTS

DO NOT SCALE

LET	WAS	DATE	BY	LET	WAS	DATE	BY	MATERIAL	DRAWN	CHECKED	APPR'D.	SCALE	BASIC EXCEPT	DATE DRAWN
								—H—	VK	6-23-78		1=1	W/CAP & NUT ASSY	5-10-78
								FINISH	COLE-HERSEE COMPANY BOSTON, MASS. 02127, U.S.A.				DATE BLUEPRINT	
							—H—							
				A	ADOK	11/9/92	JN	TOLERANCES	MOMENTARY SWITCH				9023-09	
					21NC/25234	9-29-78	ISSUED	FRACTIONAL ±						
								DECIMAL ±0.25						

COLE-HERSEE CO.
 NPM 9-29-78
 EX-18147