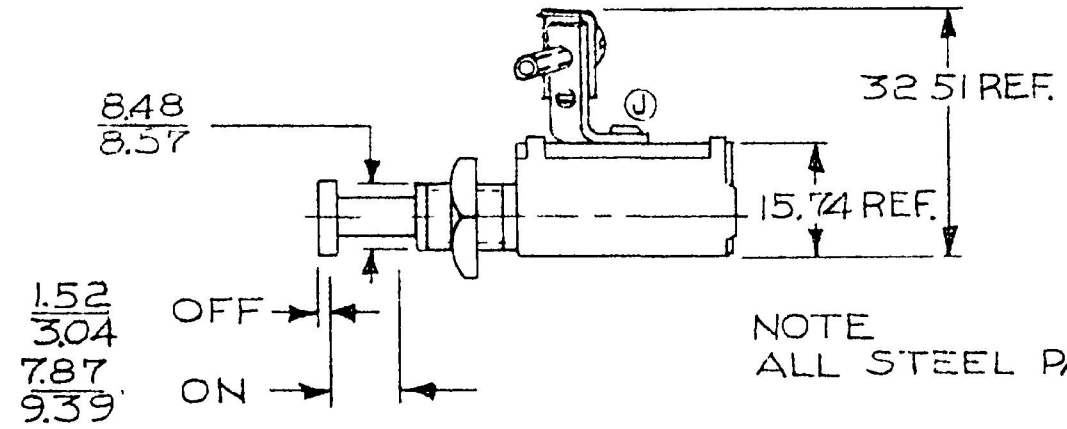
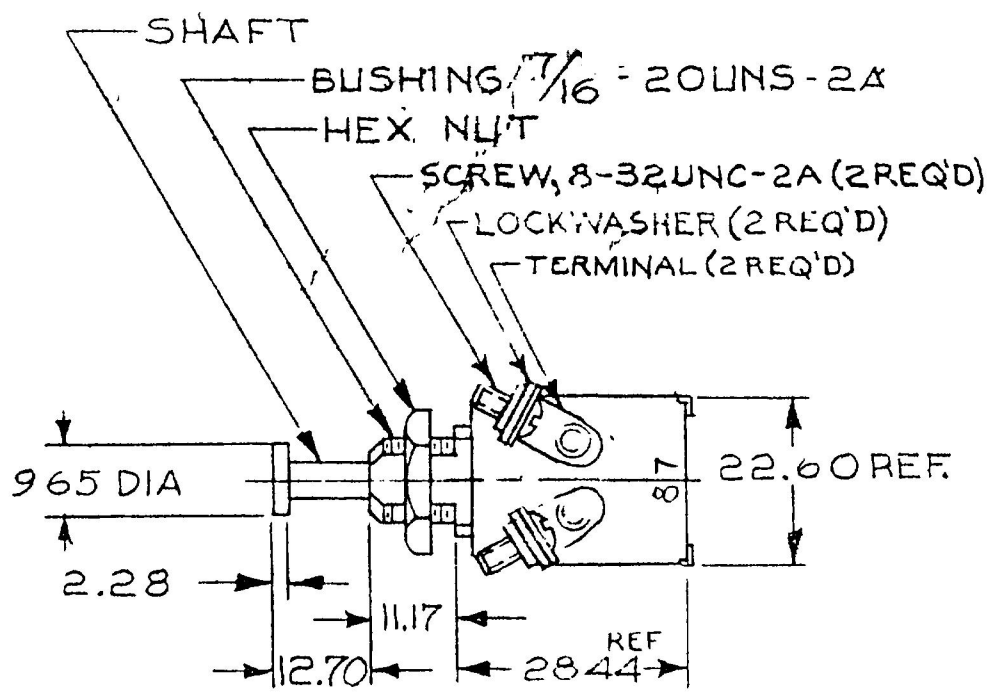


9052

MM	IN
.25	.010
1.52	.060
2.28	.090
3.04	.120
7.84	.310
8.48	.334
8.57	.337
9.39	.370
9.65	.380
11.17	.440
12.70	.500
15.74	.620
22.60	.890
28.44	1.120
32.51	1.280

REF:
9025
9264



NOTE
ALL STEEL PARTS PLATED

METRIC

DO NOT SCALE

LET	WAS	DATE	BY	LET	WAS	DATE	BY	MATERIAL	DRAWN	CHECKED	APPR'D	SCALE	DATE DRAWN
								— # —	EA	DBS		1:1	5-23-46
								FINISH	 <small>1000 COLONY AVENUE SOUTH BOSTON, MA U.S.A. 02117</small>				DATE BLUEPRINT
								— # —					
			J	REVISE VIEW	23018	3/17/84	AK	TOLERANCES	BACK-UP LIGHT SW				9052
			H	REDRAWN	5-23-80	DBS	DECIMAL ± METRIC ± .25						