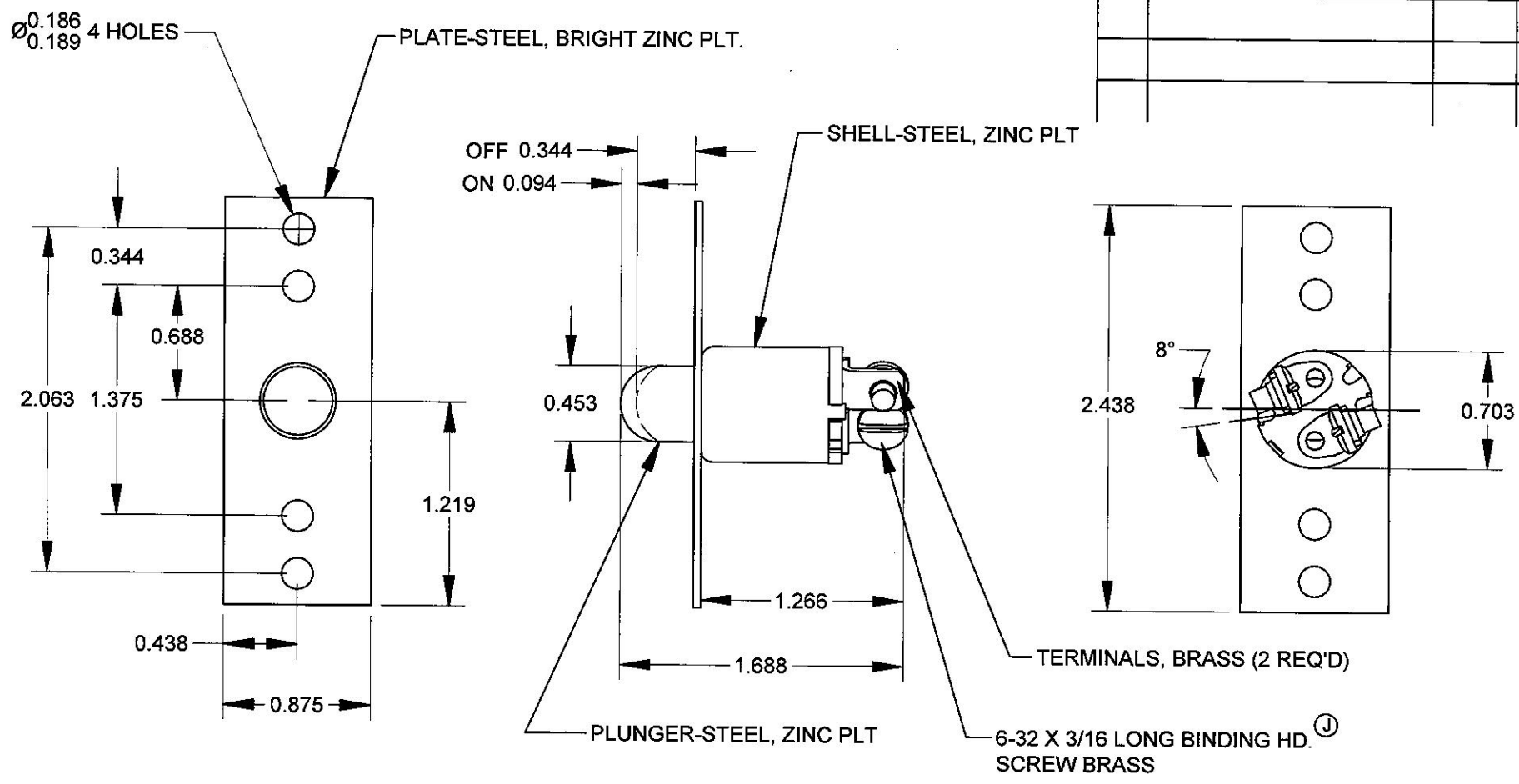


**Revision Control Record**

Rev.	Description of Change	ECN No.	Date
J	CHANGE NOTE	09170	03/03/09



Ⓝ NOTE:  
1. ALL DIMENSIONS ARE REFERENCE ONLY

Tolerances Unless otherwise specifically noted, the following are default tolerances:  
**2-places**  $\pm 0.02''$   
**3-places**  $\pm 0.005''$   
**Angular**  $\pm 1'$   
 Metric: Shown in [ ] refers to equivalent English Dim Tol  
 REF. or an Asterisk (\*) = Non-Toleranced Reference Dimension, shown for clarification purposes only.  
 NOTE: All tolerances are Non-Cumulative.

**PROPRIETARY INFORMATION** This information contained herein, is proprietary to Cole Hersee Company and may not be disclosed, re-produced, or in any other way transferred or communicated to any other party without the express written consent of an authorized representative of Cole Hersee Company.

**Special Characteristics:**  
 Critical Characteristic, relating to Safety and/or Regulatory Compliance  
 Significant Characteristic relating to Process Control  
 Control Dimension relating to Form - Fit - Function as defined by Cole Hersee Company and/or the Customer

**Cole Hersee Co.**  
 20 Old Colony Ave., South Boston, MA, 02127  
 Phn: 617-268-2100 Web: www.colehersee.com

**Description:**  
**DOOR SWITCH**

**Drawing / Part No.:** 9087  
**Current Rev.:** J